

Dynaline 3

PACKAGED TERMINAL AIR CONDITIONER
MODELS: DYNA09AC • DYNA12AC • DYNA16AC

OWNER'S MANUAL

INSTALLATION, OPERATING AND SERVICE INSTRUCTIONS

This book contains instructions for installation and operation of your unit. Keep it in a safe place for ready reference.
Should you require further information, contact your dealer.

Manufactured By:

AirX Climate Solutions Brand

Dynaline

156 Seedling Drive.
Cordele, Georgia 31015
(229) 273-3636
www.DynalineHVAC.com



⚠ WARNING

If the information in these instructions are not followed exactly, a fire or explosion may result causing property damage, personal injury or loss of life.

Do not store or use gasoline or other flammable vapors and liquids in the vicinity of this or any other appliance.

WHAT TO DO IF YOU SMELL GAS

- Do not try to light any appliance.
- Do not touch any electrical switch; do not use any phone in your building.
- Immediately call your gas supplier from a neighbor's phone. Follow the gas supplier's instructions.
- If you cannot reach a gas supplier, call the fire department.

Installation and service must be performed by a qualified installer, service agency or the gas supplier.

INSTALLER: Leave this manual with the appliance.

CONSUMER: Retain this manual for future reference.

⚠ WARNING

Improper installation, adjustment, alteration, service or maintenance can cause property damage, personal injury or loss of life. Refer to the installation instructions and/or owners manual provided with this appliance. Installation and service must be performed by a qualified installer, service agency or the gas supplier.

FOREWORD

You have just purchased a Dynaline Packaged Terminal Air Conditioner. Models DYNA09AC, DYNA12AC and DYNA16AC are ETL (Intertek) certified under ANSI Z21.86-2016/CSA 2.32-2016/UL484-2014 Standards.

To simplify the proper installation and to assure that the unit will operate in conformity with generally accepted safety regulations, it requires that you read carefully and fully understand the step-by-step instructions outlined in this manual.

⚠ CAUTION

Due to the differences in vinyl siding, this appliance should not be installed on vinyl siding without first consulting with the manufacturer of the siding or cutting the siding away from the area around the appliance vent.

NOTE: Do not deviate from the instructions as outlined in this manual. Failure to follow the installation, operating and maintenance instructions will void the responsibility of Dynaline Manufacturing Company.

INSPECTING FOR FREIGHT DAMAGES

Your unit was carefully packed in a container which complies with the National Safe Transit Test. This means that the packaged product, with normal handling, will withstand the load conditions encountered in normal transit and in handling. Your unit should be inspected immediately after unpacking to determine if any damage is present due to shipping or handling. If any damage is discovered, **do not install the unit**. Notify the transportation company immediately and file a damage claim.

The manufacturer can bear no responsibility for damages which occur in transit or for improper operation of the unit as a result of shipping damages.

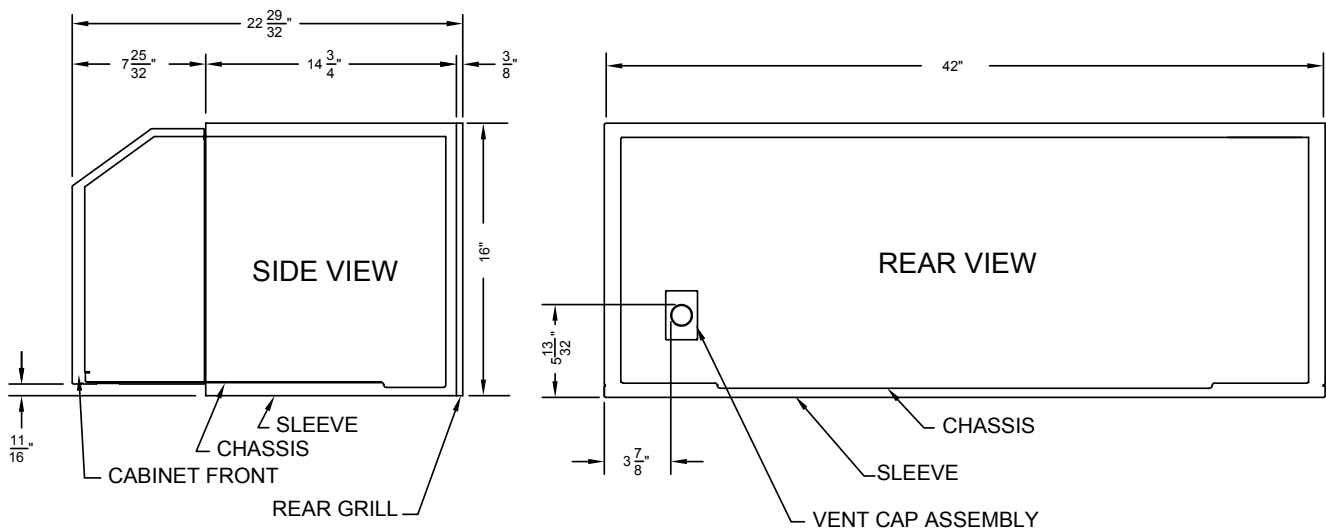
For future reference, you should record the following information from the units.

MODEL NUMBER _____ SERIAL NUMBER _____
 STOCK NUMBER _____ DATE OF PURCHASE _____

UNIT SPECIFICATIONS

Do not operate the unit during construction period; this may be a breach of the warranty conditions.

HEATING				COOLING			
MODEL	DYNA09AC	DYNA12AC	DYNA16AC	MODEL	DYNA09AC	DYNA12AC	DYNA16AC
BTU INPUT	12,000	18,000	20,000	COOLING CAPACITY	9,500	11,500	15,000
VOLTS	208/230	208/230	208/230	VOLTS	208/230	208/230	208/230
AMPS	2.0	2.0	2.0	WATTS (Heat/Cool)	855/150	1125/150	1550/150
GAS CONNECTION	3/8" IPS	3/8" IPS	3/8" IPS	REFRIGERANT CHARGE	SEE INFORMATION STICKER ON UNIT		
				REFRIGERANT	R410A		



OVERALL UNIT DIMENSIONS
Figure 1

PRE-INSTALLATION TIPS AND CONSIDERATION

MINIMUM OPERATIONAL CLEARANCES

The following minimum outside clearance from rear grille must be maintained:

Rear of unit to nearest obstruction - 36"

Side of unit to nearest obstruction - 0"

CAUTION

This appliance should not be installed on or near adjacent walls with vinyl siding without first consulting with the manufacturer of the siding or cutting the siding away from the area around the appliance vent.

Bottom of unit to obstruction and/or ground - This requirement is determined by local climate and environmental conditions. The unit must be above ground and high enough off of the ground to prevent snow, water, leaves or any other obstruction from blocking rear of unit.

The following minimum inside clearances from cabinet front must be maintained:

The flow of discharge air must not be obstructed for a minimum of 12"

Side of cabinet to nearest obstruction - 1"

Top of unit to ceiling - 12"

Cabinet front to nearest obstruction - 12" *
*Obstruction must be removable for service of unit.

Otherwise a minimum clearance of 36" is required.

Bottom of cabinet front to finished floor - 0"

MINIMUM CLEARANCES TO COMBUSTIBLE CONSTRUCTION

Units are approved for 0" clearance to combustible construction top, sides and bottom. Front and rear clearances not applicable as there can be no construction combustible or non-combustible to the front or rear of the opening. Keep burner and control compartment clean. See installation and operating instructions accompanying appliance.

TABLE 1

INTRODUCTION

WARNING

Installation of this appliance must be made in accordance with the written instructions provided in this manual. No agent, representative or employee of Dynaline or other person has the authority to change, modify or waive any provision of the instructions contained in this manual.

This manual is intended to familiarize the installer, serviceman and user with the installation, operation and maintenance of the heating and cooling unit.

The unit is designed for a wall thickness of 1" minimum to 14-1/2" maximum. **NOTE:** Maximum wall thickness cannot exceed 12-5/8" if rear gas hook-up is to be used. The wall sleeves must be installed as illustrated in Figures 5 or 6 so that the unit chassis when slid into the sleeve is vented to the outside atmosphere.

Do not install in an alcove or recess.

Special sleeve and grille applications must be brought to the attention of Dynaline as they may impair the operation of the unit.

IMPORTANT: Installation of the rear grille must be made prior to installing the chassis as it secures from inside the wall sleeve.

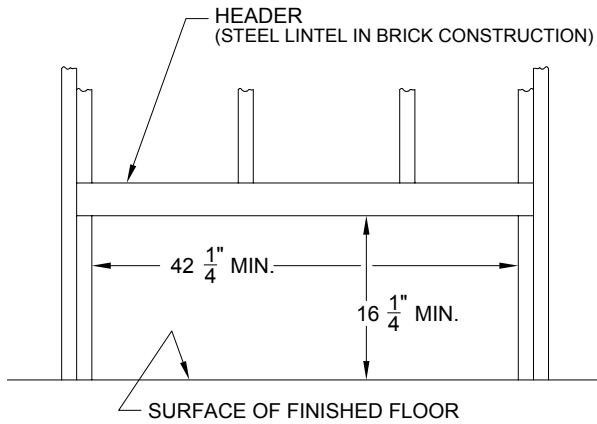
In the U.S.A., this appliance must be installed in accordance with local codes and regulations. In the absence of local codes and regulations, installation must comply with the latest edition of:

1. National Fuel Gas Code ANSI Z223.1/NFPA 54.
2. National Electrical Code NFPA 70.

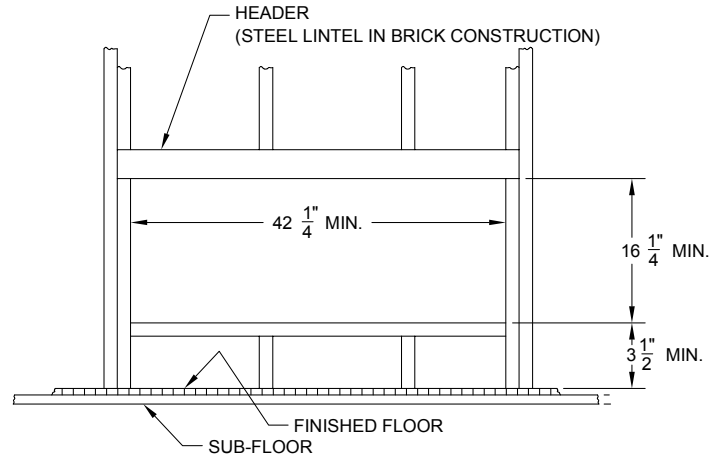
FOR REQUIREMENTS FOR INSTALLATIONS IN COMMONWEALTH OF MASSACHUSETTS, SEE PAGE 20.

In Canada, the installation must be in accordance with local codes or in the absence of local codes, with the current CANI-B149 Installation Code.

1. When choosing a location for the sleeve, remember that the unit chassis must be vented to the outside atmosphere, therefore, the sleeve must be mounted in the outside wall of the room. A location should be selected with consideration for circulation of discharge (room) air. Generally, the location which provides the most effective circulation is midway along the wall of the room the unit is to serve and away from a stairwell or other openings. Do not locate sleeve behind a door or at a point where a door, if left open, would tend to obstruct the unit when installed into the sleeve.
2. In choosing a location for the sleeve, one must consider the minimum operation clearances as specified in Table 1. These clearances assure adequate accessibility for servicing and proper operation of the unit and therefore, must be maintained.
3. The wall sleeve may be installed directly on finished floor as illustrated in Figure 2, however, considerations should be given to the location of gas lines and electrical service. **NOTE:** If mounted on top of floor, the gas connection should be made from rear of unit. For the best finished results, Dynaline suggests the wall sleeve be mounted a minimum of 3-1/2" off of the finished floor, as illustrated in Figure 3. This allows sufficient space for the gas and electrical connections to be made below the wall case. An accessory base panel, Dynaline Kit #520873, may then be attached to the cabinet front to conceal these service connections. **NOTE:** This base panel is non-loading bearing.
4. When installing below a window, the installer should consider the possibility of curtains interfering with discharge air and/or accessory air discharge package and take steps to eliminate these restrictions.



WALL SLEEVE FRAMING DIMENSIONS
REAR GAS HOOK-UP
 Figure 2



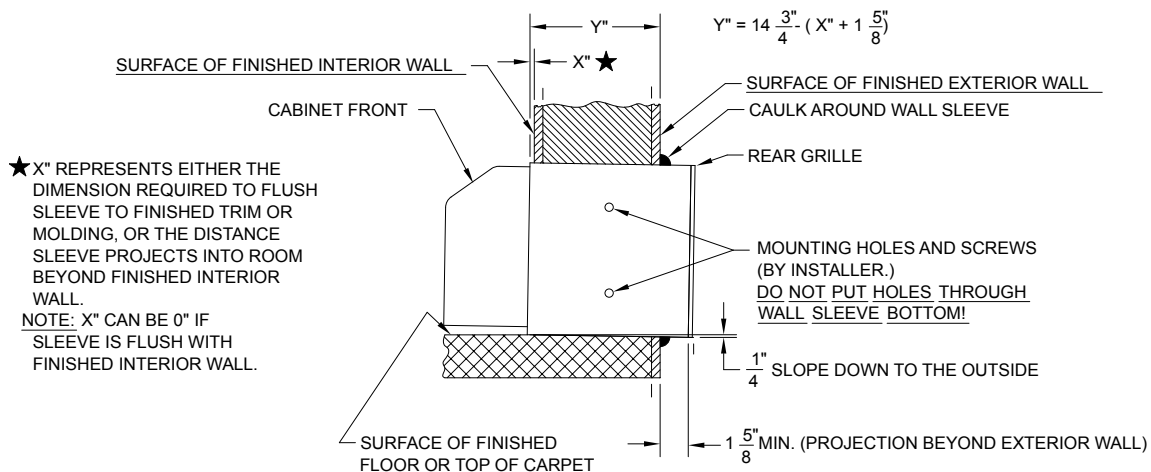
WALL SLEEVE FRAMING DIMENSIONS
FRONT GAS HOOK-UP
 Figure 3

NOTE: UNITS APPROVED FOR 0" CLEARANCE TO COMBUSTIBLE CONSTRUCTIONS TOP, SIDES, AND BOTTOM. FRONT AND REAR CLEARANCE NOT APPLICABLE AS THERE CAN BE NO CONSTRUCTION COMBUSTIBLE OR NON-COMBUSTIBLE TO THE FRONT OR REAR OF THE OPENING.

5. The installer should allow for drywall or other interior wall finishes when locating sleeve during rough-in. (See Figures 4 or 5)
6. Prior to installing the wall sleeve, one must consider the method to be used to drain the condensate from the wall sleeve. Two methods may be used:
 - a. Free Drain (External)- A general acceptable alternative where the condensate drains from the wall sleeve through three exterior drain holes and drops to open ground. (See Figure 6). The condenser fan is designed to pick up normal condensate and evaporate it off the condenser coil.
 - b. Drain Kit - A condensate drain kit is recommended for positive drainage when specified or code requires or when condensate is heavy under conditions of extreme humidity for extended periods of time. The drain tube assemblies may be installed externally on rear flange of the wall sleeve or underneath the wall sleeve to the external side of building. (See Figure 7). The condensate can be freely drained to ground level or routed in tubing to a disposable location. Drain tube kits are designed for 1/2" O.D. copper tubing.

NOTE: Excessive rain water entering the unit through the outside grille may not be entirely removed during operation of the unit. Excessive rain water will drain through the raised weep holes provided on the rear of the wall sleeve.

7. After selecting a location for wall sleeve, inspect the wall and floor areas to determine that there are no hidden electrical wires, propane or other flammable gas-liquid piping or tubing, ducts, girders or wall studs that will interfere with the proper installation and safe operation of the unit or the proper installation of gas supply lines and electrical service
8. The cabinet front is shipped with the unit chassis. Side flanges on chassis are secured to sleeve from inside room to insure proper security and mounting.



WALL INSTALLATION REAR GAS HOOK-UP
 Figure 4

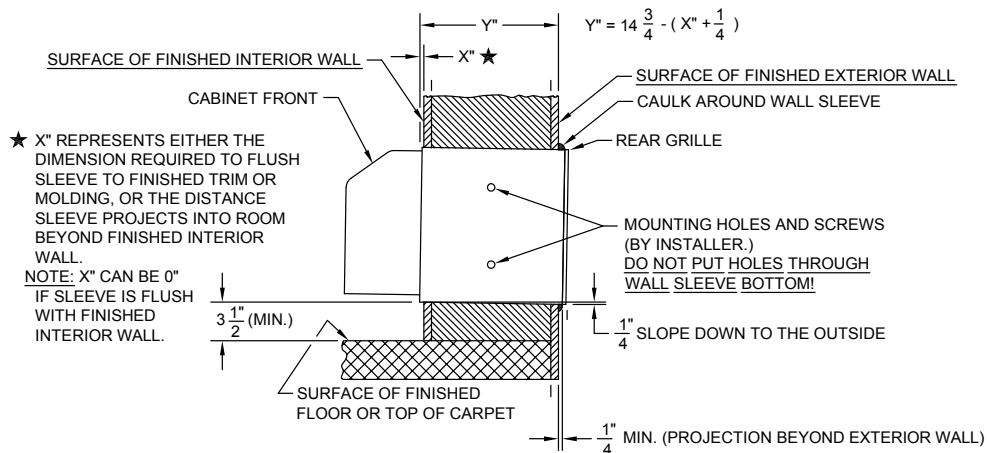


Figure 5

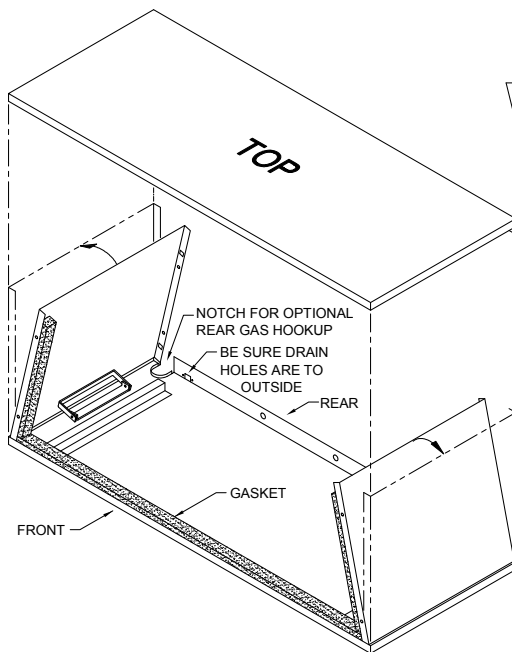


Figure 6

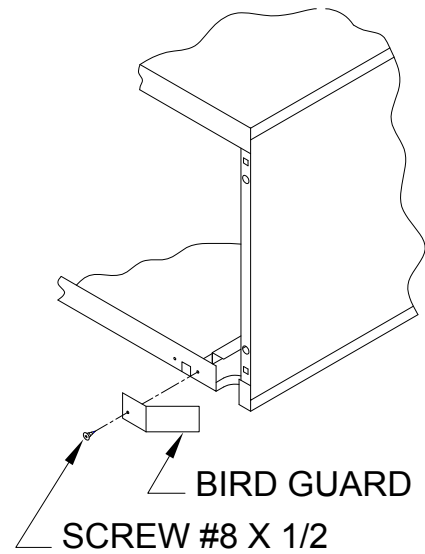
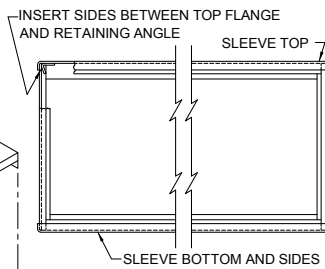


Figure 6A

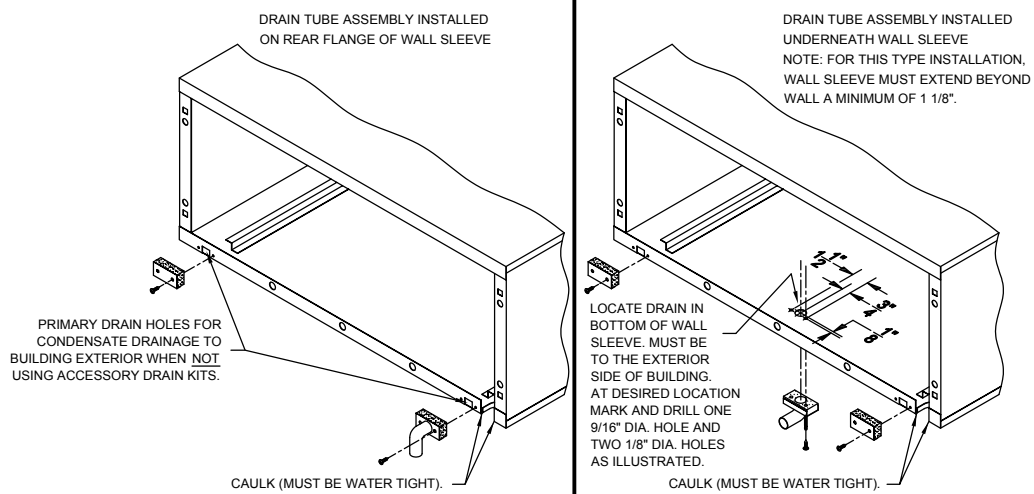


Figure 7

INSTALLATION

Before beginning the installation, it is suggested that the cabinet front and air filter be removed to avoid damage during installation of the unit.

1. Cut an opening in the outside wall and frame to the minimum opening as illustrated in Figures 2 or 3. Refer to Table 1 for minimum clearances to obstruction. Use conventional construction methods to frame opening. **Do not use wall sleeve as a lintel.** The framed opening should allow for the sloping of the sleeve toward outside wall as illustrated in Figures 4 or 5, in order to assure proper drainage. **Do not install wall sleeve level or slope toward room.**
2. Unfold the sides of the wall sleeve and assemble the top, being sure that the sides wedge between the top flange on the top and the retaining angle as illustrated in Figure 6. Secure at top corners with screws provided. If the opening in the rear of the sleeve for rear gas hook-up is not used, you may block the opening using the bird guard supplied with the sleeve. (See Figure 6A for illustration)
3. Install wall sleeve into framed opening with the three drain holes to the outside. Minimum projection of wall sleeve into the room is flush with finished wall or molding, as illustrated by "x" dimension in Figures 4 or 5.

⚠ CAUTION

Be sure sleeve protrudes far enough into the room to allow for any interior wall studding, insulation and dry wall or finished wall to be added during construction.

Do not install sleeve flush with finished exterior wall.

⚠ IMPORTANT

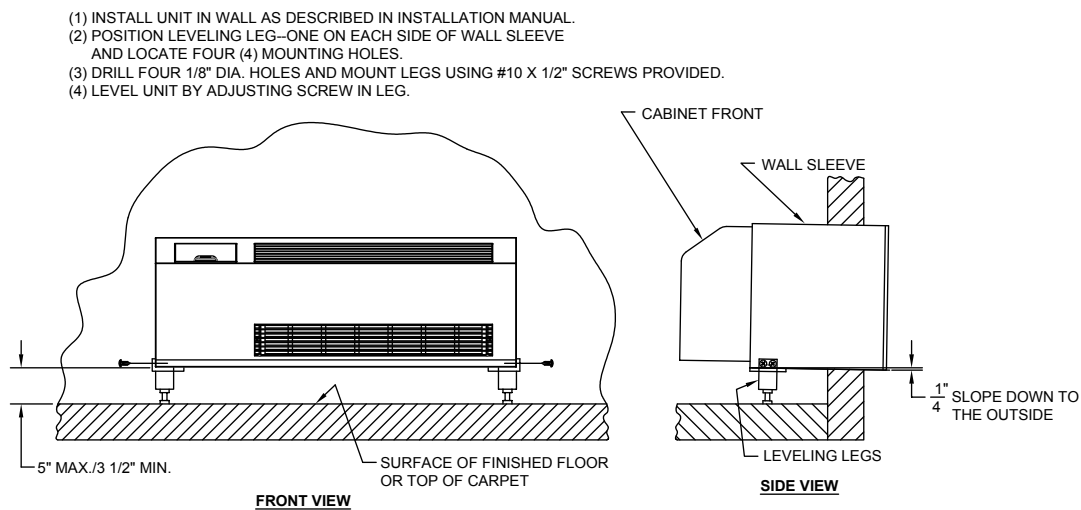
When replacing existing DynaLine units with new DynaLine 3 units, it is recommended to replace the wall sleeve as well. During the replacement process the sleeve may become damaged or incorrectly aligned.

If sleeve installed with floor clearance from 0" to less than 3-1/2", the sleeve must protrude a minimum of 1-5/8" beyond finished surface of exterior wall. (See Figure 4). This is to allow for rear gas hook-up. If sleeve is installed with floor clearance of 3-1/2" or greater, the sleeve must protrude a minimum of 1/4" beyond finished surface of exterior wall. (See Figure 5)

NOTE: Wall sleeve installations that protrude into the room 4" or more require the use of Leg Leveling Kit #520600 or other means of supporting the wall sleeve. (See Figure 8). Failure to support the wall sleeve front in such installations may cause improper sleeve slope (1/4" rear slope required - see Step 4 below), which may result in improper condensate leakage into the interior room space.

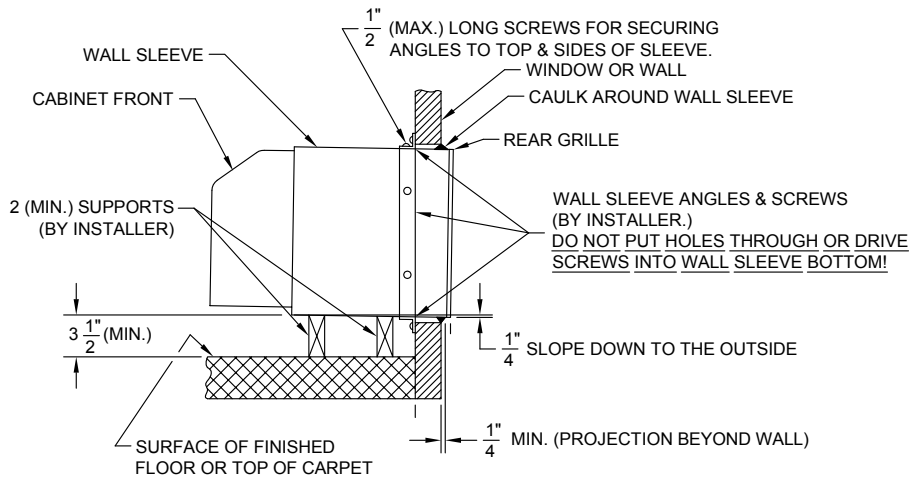
For installations in windows and/or curtain or panel walls of 2", it is suggested that a minimum of two field supports be installed under wall sleeve since no screws can be used in bottom of sleeve to the wall.

Field supplied wall sleeve angles 1" x 1" x .065/.055 are to be used on top, sides and bottom of wall sleeve. (See Figure 9)



LEVELING LEGS INSTALLATION

Figure 8



WINDOW, CURTAIN WALL, OR WALL PANEL INSTALLATION

Figure 9

CAUTION

Do not drill holes in bottom of sleeve. Bottom angle is for support only and is to be secured to wall.

4. Secure wall sleeve to wall as illustrated in Figures 4 or 5. Be sure wall case is level (side to side-parallel to floor) and sloped 1/4" from front to rear. **Do not put holes in bottom of sleeve, water damage to wall and floor will occur.**
5. Caulk around wall sleeve between the sleeve and building to form a weather tight seal against rain and snow. **Use only weather proof caulking.** (See Figures 4 or 5)
6. Seal around sleeve between finished interior wall and sleeve to minimize heat/cooling loss around sleeve. Seal may be caulking, or if preferred, installer may trim around sleeve with molding or other suitable materials.
IMPORTANT: Installation of the rear grille must be made prior to installing the chassis as it secures from inside the wall sleeve.
7. Slide unit into wall sleeve and secure it to sleeve using the four #10 x 1/2 screws provided.
8. Connect gas and electrical supply. Refer to Figure 10 for centerline location of gas connection and electrical connection when unit is installed into wall sleeve.
NOTE: This unit is factory set for 230 volt operation. If you wish to operate unit on 208 volts, the rocker switch located behind the cabinet front on the controls panel (see Figure 18) must be switched to 208 volts.
NOTE: On occasions, the voltage on a 230 volt model may drop. If the voltage drop is at or below 208 volts, the switch should be switched to 208 volts.
9. The operation of this unit is controlled by a built-in thermostat. A digital temperature read out will be displayed on the control panel. For remote thermostat operation, connect the thermostat wiring to the terminal block located on the module board. Move switch #1 on the thermostat switch to "on". (See Figure 11)
To reset controls, turn power off then back on.
NOTE: Connecting remote thermostat overrides the built-in thermostat and you will not get a digital read out on the control panel. There is no need to disconnect the built-in thermostat as shipped from factory.
10. Reinstall air filter.
11. The outlet air grille can be installed in either of two positions. The unit is delivered for horizontal air flow. If vertical air flow is desired, remove grille and reinstall in alternate position. (See figure 12)
12. Reinstall cabinet front. Do not operate unit with cabinet front removed.

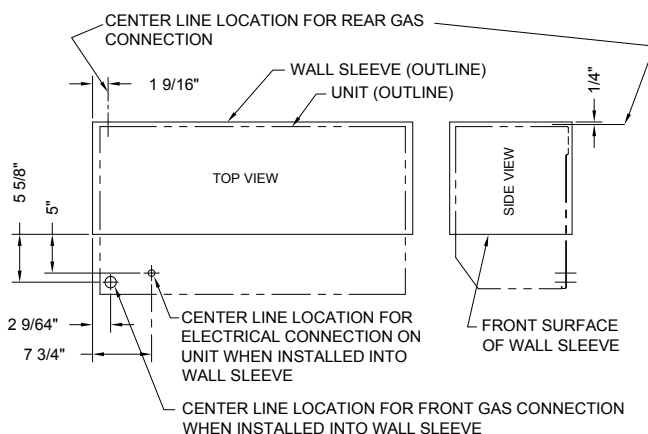


Figure 10

MODIFICATIONS TO THE WALL SLEEVE ARE THE RESPONSIBILITY OF THE INSTALLER
MANUFACTURERS RECOMMENDATIONS MAY NOT BE SUFFICIENT
THE INSTALLER IS RESPONSIBLE TO TAKE MEASURES TO INSURE INSTALL AGAINST LEAKS

- STEP 1 DRILL .812 HOLE PER DRAWING
- STEP 2 INSTALL WALL SLEEVE
- STEP 3 ADD REAR GAS HOOKUP KIT TO UNIT
- STEP 4 ATTACH GAS LINE TO UNIT
- STEP 5 CAULK AROUND THE GAS LINE ENTERING THE WALL SLEEVE TO PREVENT WATER FROM LEAKING AROUND THE PIPE**
- STEP 6 INSTALL GRILL

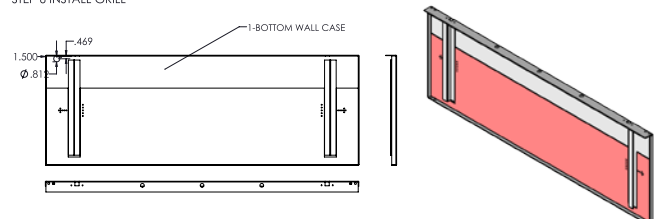


Figure 11

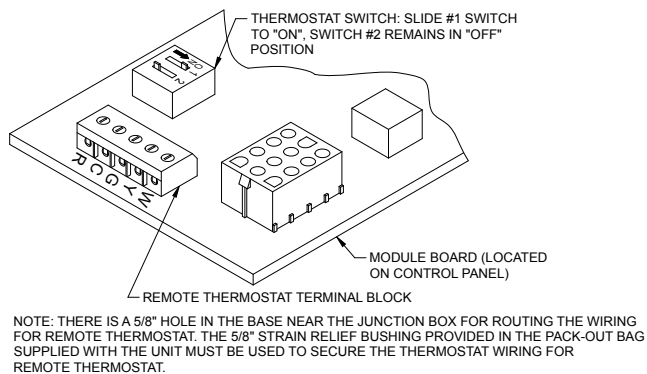


Figure 12

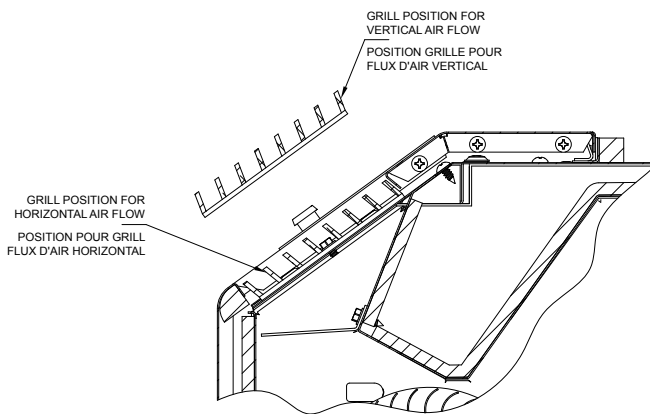


Figure 13

MAKING GAS CONNECTIONS

The unit is factory equipped with a 3/8" NPT gas connection. The size of the pipe should be computed according to the type of gas and the length of the run. Table 2 gives a reasonably accurate size for the service line. The quantities given in the table are for cubic feet per hour. To convert BTU capacity to cubic feet, divide total BTU load by the BTU value of the gas being used. The table is for natural gas only. To convert to liquefied petroleum (LP) gas, multiply by .633. The pressure drop caused by other gas appliances being served by any portion of the line provided for this installation must be considered. If the new line is takeoff from an existing line to another appliance, pressure drop computation with the table must include the demand of the other appliance.

CAUTION

Dynaline does not recommend the use of flex tubing to make the gas connections to the unit unless the flex tubing is a high quality stainless certified by AGA and approved for use by local code.

MINIMUM GAS SUPPLY PRESSURE FOR PURPOSES OF INPUT ADJUSTMENT		
	Minimum	Maximum
Natural Gas	5" W.C.*	7" W.C.
Liquefied Petroleum (LP) Gas	11" W.C.	13" W.C.
*Water Column		

OPERATING PRESSURE

All units for burning natural gas are equipped with a valve having a built-in regulator preset at 3.5" W.C. pressure. All units for burning liquefied petroleum (LP) gas are equipped with a valve having a built-in regulator preset at 10.5" W.C. pressure. Do not adjust the regulator set screw on the valve. Over firing of the unit may occur.

It is recommended that the installer install a manual shut-off valve in the gas supply line to the unit. It is also recommended that a ground joint union be installed between the unit and this shut-off valve.

A condensate trap should also be installed in the gas supply line as close to the unit as possible.

In order to maintain a check on gas supply pressure to the unit, Dynaline advises the installer to provide a 1/8" NPT plug tap for test gauge connection immediately upstream of the gas supply connection to the unit.

The unit and its individual shut-off valve must be disconnected from the gas supply piping system during any pressure testing of the gas system at test pressures in excess of 1/2 PSIG. The unit must be isolated from the gas supply piping system by closing its individual manual shut-off valve during any pressure testing of the gas supply system at test pressures equal to or less than 1/2 PSIG.

WARNING

A pipe thread compound resistant to the action of liquefied petroleum (LP) and natural gas must be used on all pipe joints.

All gas piping should be tested with a soap and water solution to assure gas-tight connections.

WARNING

Do not use an open flame to check for leaks!

MAKING ELECTRICAL CONNECTIONS

(208 - 230 Volts)

If local codes permit, the service cord as supplied with the unit may be used. The service cord is added at the factory for testing during production. If local codes do not permit the use of a service cord, it must be removed and the electrical connections made in the junction box.

All external wiring must comply with local codes or national electrical codes.

It is recommended that the wiring be on a separate permanent line electrical circuit. The electrical circuit must be protected using dual 15 amp fuse or HACR type circuit breaker.

In the U.S.A., the unit when installed, must be electrically grounded in accordance with local codes or, in the absence of local codes, with the latest edition of National Electrical Code ANSI/NFPA No. 70. Proper operation of this unit is dependent on adequate earth ground. If the installation is made using gas piping of any material other than metal pipe, then adequate steps must be taken to assure adequate earth ground.

In Canada, the unit must be electrically connected and grounded in accordance with local codes or in the absence of local codes with the current CSA C22.1 Canadian Electrical Code.

24 VAC EMERGENCY POWER CONNECTION (COMPRESSOR LOCK-OUT)

Two 1/4" male terminals labeled "PWR DOWN" are available on the module board. If 24 VAC is applied to these terminals, the compressor and condenser fan operation are disabled. During a call for cooling, the indoor blower will run and the "SERVICE SYSTEM" light will be on.

1. Remove the display panel (save the 5 screws for re-use (See Figure 13).
2. Route wiring from an external 24 VAC source through the bushing in the base of the unit.
3. Terminate two wires with 1/4" female pre-insulated terminals.
4. Connect wires to the "PWR DOWN" terminals on the module board (See wiring diagram).
5. Replace the display panel.

OPERATING INSTRUCTIONS

A. HEAT MODE - Initial Lighting Instructions (See Figure 13)

NOTE: During initial firing of this furnace, a burn-off of excess paint and oils remaining from manufacturing process may cause "smoking" for 5 - 10 minutes.

NOTE: If your unit has the optional air discharge package installed, Dynaliner recommends the room air blower be operated on high (Select high fan speed).

1. Open the manual shut-off valve. The valve is fully open when the handle is level or parallel to the gas line. Never attempt to operate unit with manual valve partially closed.
2. Depress "System" key pad until heat lamp is illuminated.
3. Depress "Fan" key pad until desired speed lamp is illuminated.
4. Set thermostat to desired setting by depressing temperature indicating arrows until desired temperature is displayed.
5. If the thermostat circuit is closed at the setting chosen in step 4, the ignition sequence begins.
6. After ignition, the operation of the unit will be controlled automatically by the thermostat.

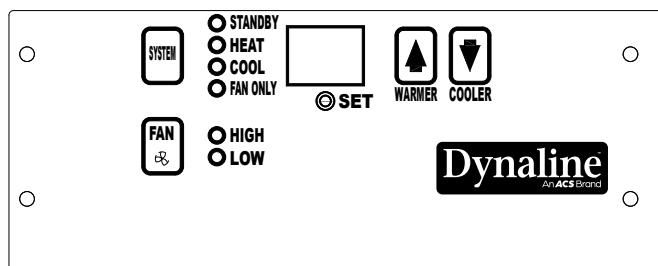


Figure 14

TO SHUT DOWN FOR AN EXTENDED PERIOD OF TIME

1. Depress "System" key pad until stand by lamp is illuminated.
2. Close manual shut-off valve.

FREEZE PROTECTION

This unit has freeze protection activated when operating from the on-board controls. This can be turned off with the following instructions

1. Depress "SYSTEM" and "WARMER" buttons simultaneously and release. "Sr" will display.
2. Depress "WARMER", "COOLER" and "FAN" buttons simultaneously. "nF" will display when freeze protection is off and "FP" will display when freeze protection is on.

NOTE: Freeze protection is not active on-board when using a remote wall-mount thermostat. Select a thermostat with freeze protection if a remote wall-mount thermostat is desired for operation with freeze protection.

SEQUENCE OF NORMAL OPERATION - HEAT MODE

1. When heat is required, the thermostat closes and energizes the combustion air motor.
2. As the blower reaches approximately 90% of the normal RPM, the pressure created by the combustion air motor causes the diaphragm in the pressure switch to move, closing the contacts. This completes the electrical circuit to the input of the module board and a 10 second warm-up period for the glo-bar is established. During the warm up period, the glo-bar comes on for 7 seconds, then the valve opens. The glo-bar remains on another 3 seconds after the valve opens and then goes off. When the valve opens, it will remain open for 6 seconds. Gas will flow to the burner and be ignited by the glo-bar.

- If the main burner flame is sensed, the burner will remain on until the thermostat is satisfied. If the flame is not sensed, the gas valve closes and the ignition sequence automatically repeated two (2) times. If the burner does not light during this trial for ignition period, the unit will lock-out for one (1) hour and then re-set automatically.

NOTE: If lock-out should occur, the unit can be re-set manually by breaking the power to the unit. When power is restored, the ignition procedures can be repeated. Should repeated lock-out occur, shut unit down and contact your gas service agency.

- After proof of ignition (burner lights and flame properly sensed) a circuit is completed to the room air blower and the blower comes on.
- When the thermostat is satisfied, the valve closes. The combustion air motor will remain on for a 20 second purge cycle, then goes off. The room air blower will continue to operate for approximately 90 seconds at which time the circuit is opened and the room air blower goes off.

NOTE: If your unit is controlled by a wall thermostat, the ignition sequence is the same as with built-in thermostat; however, the temperature setting and system functions are selected at the wall thermostat. The “Fan” speed is controlled in the same manner as with built-in thermostat.

B. COOLING MODE - Normal Operation (See Figure 13)

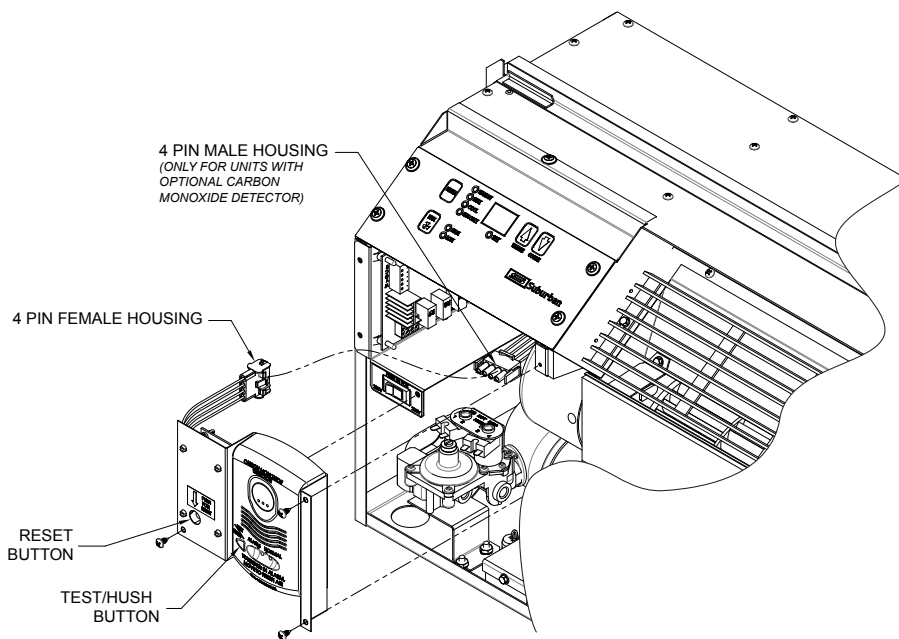
- Depress “System” key pad until cool lamp is illuminated.
- Depress “Fan” key pad until desired speed lamp is illuminated.
- Set thermostat to desired setting by depressing temperature indicating arrows until desired temperature is displayed.
- If the thermostat circuit is closed at the setting chosen in Step 3, the cooling cycle begins. **NOTE:** On initial start-up, the compressor will not be energized for five (5) minutes even though the system functions have been properly selected.

Whenever the outside temperature is below 65° and the humidity is high, frost could form on the evaporator coil during extended cooling operation. To eliminate frost formation, a de-ice switch in the compressor circuit will sense a frost condition and open the compressor circuit. Upon temperature rise, the switch will close and the compressor will again come on provided the thermostat is still calling for cooling.

NOTE: This unit has a built-in 5 minute delay between compressor cycles. Any time the compressor cycle is interrupted either manually, through thermostat, a power interruption, etc., the compressor will not restart for 5 minutes.

C. CARBON MONOXIDE (CO) DETECTOR (See Figure 14)

This Dynaline unit is equipped with an integrated carbon monoxide (CO) detector (System Sensor Model C01224T). To access the CO detector remove the front panel. The CO detector is located on the left side of the unit and consists of the detector and a power supply board. See figure 14. The system connected carbon monoxide detector known as C01224T was tested at a National Recognized Test Laboratory and has been verified to perform in the detection of carbon monoxide up to 12,000 ft above sea level. During this testing by the National Recognized Test Laboratory the detector alarmed within the time specified by ANSI/UL 2034 for carbon monoxide concentrations of 70, 150 and 400 parts per million (ppm).



CARBON MONOXIDE (CO) DETECTOR

Figure 15

CO DETECTOR OPERATION MODES

OPERATION MODE	GREEN LED	RED LED	SOUNDER
Normal (Standby)	Blink 1 per minute	OFF	OFF
Alarm	OFF	Temp 4 pattern	Temp 4 pattern
Alarm Test	OFF	Temp 4 pattern	Temp 4 pattern
End of Life	OFF	OFF	OFF
CO Trouble	OFF	Blink 1 per minute	OFF
Power Loss / Cell Fault	OFF	OFF	OFF

Alarm Test:

Will send alarm signal to panel.

Hush feature / Alarm Silence:

The audible alarm can be silenced for 5 minutes by pushing the button marked “Test/Hush”. The red alarm light will continue to flash in temp 4 pattern. If carbon monoxide is still present after the 5 minute hush period, the audible alarm will sound. The hush feature will not operate at levels above 350 ppm carbon monoxide.

Trouble Feature:

When the sensor supervision is in a trouble condition (e.g. such as a sensor that has been tampered with, or the cell itself has prematurely dried out due to environmental conditions, etc.), the detector will send a trouble signal to the panel. The detector must then be replaced. The green LED turns off and the red LED blinks every minute when the detector is in trouble.

End of Life Timer Feature:

When the detector has reached the end of its life, the trouble contact will open. This indicates that the CO sensor inside the detector has passed the end of its life and must be replaced. This detector's lifespan is approximately six years from the date of manufacture. The green LED turns off when the detector is in trouble. Periodically check the "Replace by" sticker located under the detector cover. The detector must be replaced by this date. Order a replacement CO Detector number 233207 from the installer of the PTAC or the selling dealer.

CAUTION

Airborne dust particles can enter the detector. Dynaline recommends the installation of Dynaline 3 units with System Sensor carbon monoxide detectors after construction or any other dust producing activity.

TESTING

Detector must be tested after installation.

Test the detector as follows:

1. A test button is located on the detector housing (see Figure 14)
2. Use the tip of your finger to press and hold the test button.
3. If the sounder beeps and the LEDs light up after 1-4 seconds, the detector is operational.

If detector fails the above test method, its wiring should be checked. If the detector still fails after rewiring, it should be replaced.

Resetting the CO detector:

This Dynaline unit with integrated CO detector is equipped with a manual reset button located at the plate immediately to the left of the CO detector. The manual reset button is identified by a label on the plate. When the test/ hush button on the CO detector is depressed the detector will audibly alarm, the green LED will extinguish and the red LED will flash. Power to the DL gas valve will be interrupted and the gas valve will close. Following the required test of the CO detector, it will be necessary to depress the manual reset button to reset the CO detector and allow the DL unit to reopen the gas valve circuit.

What to do if the carbon monoxide detector goes into alarm:

Should the CO detector go into alarm mode due to the detection of CO the power to the gas valve will be interrupted and the gas valve will close. Do not ignore the alarm and shutdown. Immediately move to a spot where fresh air is available, preferably outdoors. Find a phone in an area where the air is safe and call your building manager and ask them to have the Dynaline unit and/or other fuel burning appliances in the dwelling checked for proper operation. Do not return to a room or dwelling where the CO detector continues to alarm. After the cause of the alarm is determined and corrected, it will be necessary to depress the manual reset button to reset the CO detector and allow the DL unit to reopen the gas valve circuit.

DETECTOR REPLACEMENT

WARNING

Remove Power before replacing detector.

This detector is manufactured with a long-life carbon monoxide sensor. Over time the sensor will lose sensitivity, and will need to be replaced with a new System Sensor carbon monoxide detector. This detector's lifespan is approximately six years from date of manufacture. Periodically check the detector's replacement date. Using a small, flat screw driver, push in the small tab located on the underside of the detector. Once the snap is loosened, lift the bottom end of the cover up and unhinge the top to remove the cover. With the cover removed, refer to the sticker placed on the inside of the detector. The sticker will indicate the date that the detector shall be replaced. This detector is also equipped with a feature that will open the trouble relay once it has reached the end of its useful life. If this occurs, it is time to replace the detector.

CAUTION

This carbon monoxide detector is designed for indoor use only. Do not expose to rain or moisture. Do not knock or drop the detector. Do not open or tamper with the detector as this could cause malfunction. The detector will not protect against the risk of carbon monoxide poisoning if not properly wired. The detector will only indicate the presence of carbon monoxide gas at the sensor. Carbon monoxide gas may be present in other areas.

This carbon monoxide detector is **NOT**:

- Designed to detect smoke, fire or any gas other than carbon monoxide
- To be seen as a substitute for the proper servicing of fuel-burning appliance or the sweeping of chimneys
- To be used on an intermittent basis, or as a portable alarm for the spillage of combustion products from fuel-burning appliances or chimneys.

Carbon monoxide gas is a highly poisonous gas which is released when fuels are burnt. It is invisible, has no smell and is therefore impossible to detect with the human senses. Under normal conditions in a room where fuel burning appliances are well maintained and correctly ventilated, the amount of carbon monoxide released into the room by appliances should not be dangerous.

LIMITATIONS OF CARBON MONOXIDE (CO) DETECTORS

Manufacturer recommends that carbon monoxide (CO) detectors be located throughout a protected premise following the recommendations of the current edition of the National Fire Protection Association Standard 720, National Fire Alarm Code (NFPA 720), manufacturer's recommendations, and state and local codes. While carbon monoxide detectors are designed to provide warning against carbon monoxide, they do not guarantee warning or protection against carbon monoxide. Any alarm system with carbon monoxide detectors is subject to compromise or failure to warn for a variety of reasons. For example:

- Molecules of carbon monoxide may not reach the sensing chambers of the carbon monoxide detector because:
- Barriers such as closed or partially closed doors, walls, or chimneys may inhibit flow.
- Molecules of carbon monoxide may be blown away from detectors by air outlets.

In general, carbon monoxide detectors on one level of a structure cannot be expected to sense carbon monoxide developing on another level.

- The amount of carbon monoxide present may be insufficient to alarm carbon monoxide detectors. Carbon Monoxide detectors are designed to alarm at various levels of carbon monoxide density, or ppm (parts per million). If such ppm levels are not created by developing carbon monoxide at the location of detectors, the detectors will not go into alarm.
- Carbon monoxide detectors are subject to false alarms and nuisance alarms. For example, a carbon monoxide detector located too close to a fuel burning appliance may go into nuisance alarm during normal operation of the appliance. If the location of a carbon monoxide detector causes an abundance of false alarms or nuisance alarms, do not disconnect the carbon monoxide detector; call a professional to analyze the situation and recommend a solution.
- Warning devices (including horns, sirens, bells, and sounders on carbon monoxide detectors) may not alert people or wake up sleepers who are located on the other side of closed or partially open doors. A warning device that activates on a different floor or level of a dwelling or structure is less likely to awaken or alert people. Even persons who are awake may not notice the warning if the alarm is muffled by noise from a stereo, radio, air conditioner or other appliance, or by passing traffic. Audible warning devices may not alert the hearing-impaired (strobes or other devices should be provided to warn these people). Any warning device may fail to alert people with a disability, deep sleepers, people who have recently used alcohol or drugs, or people on medication or sleeping pills.

Please note that:

- i) Strobes can, under certain circumstances, cause seizures in people with conditions such as epilepsy.
- ii) Carbon monoxide detectors may be installed as part of a fire alarm system. Studies have shown that certain people, even when they hear a fire alarm signal, do not respond or comprehend the meaning of the signal. It is the property owner's responsibility to conduct fire drills and other training exercises to make people aware of fire alarm signals and instruct on the proper reaction to alarm signals.
- iii) In rare instances, the sounding of a warning device can cause temporary or permanent hearing loss.
 - Telephone lines needed to transmit alarm signals from a premises to a central station may be out of service or temporarily out of service. For added protection against telephone line failure, backup radio transmission systems are recommended.
 - System components, though designed to last many years, can fail at any time. As a precautionary measure, it is recommended that carbon monoxide detectors be checked, maintained, and replaced per manufacturer's recommendations.
 - System components will not work without electrical power. If system batteries are not serviced or replaced regularly, they may not provide battery backup when AC power fails.
 - Environments with high air velocity or that are dusty or dirty require more frequent maintenance.

In general, fire alarm systems with carbon monoxide detectors will not work without power and will not function properly unless they are maintained and tested regularly.

D. OPERATING TIPS - HEAT MODE OR COOLING MODE

1. At times it may be desirable to reduce the operating sound level. This is possible by selecting "Low Cool" position. At this setting, the cooling capacity is not reduced - only the blower speed and air movement is reduced.
2. Circulation of room air with no heat or cooling may be obtained if desired. For fan only operation, depress "System" key pad until fan only lamp is illuminated. Depress "Fan" key pad until desired speed lamp is illuminated.

UNIT CONTROLS AND THEIR FUNCTION

Limit Switch - The purpose of the limit control is to turn off the gas to the main burner if, for any reason, the heating section of the unit becomes hotter than that which is safe. Cycling on limit does not always indicate a defective limit switch. If the circulating air is blocked or only partially so, the limit control will function and cause the main burner to go off. Cycling on limit is not always undesirable - if it happens only occasionally. This is a good indication of safe operation and will most likely happen on a warm day. If cycling happens too often or for an extended period, the circulating air system should be thoroughly cleaned. (See "Maintenance and Cleaning.")

If for any reason, the limit switch is found to be defective, it must be replaced. There is no recommended method of repairing it. Because of the importance of the limit switch, for safety reasons, never shunt the limit switch - even for only temporary operation.

Pressure Switch - The purpose of the pressure switch is to sense the air pressure generated by the combustion air blower. When the pressure is adequate to support combustion, the contacts in the switch close. This completes the circuit to the input of the module board and the ignition sequence begins. If for some reason the pressure is not sufficient to support combustion, the switch will not operate. Reasons for insufficient pressure: 1) slow combustion air motor 2) restriction in intake and 3) loose pressure switch tube or a blockage in the pressure switch tubing.

Fresh Air Vent - The purpose of the fresh air vent is to provide a means of introducing outside air into the living. The control rod is located in the lower left front corner of the unit. To gain access to the control rod, the cabinet front must be pivoted forward. (See Figure 15)

NOTE: Operating the unit with the vent open could reduce efficiency of the unit in both heat and cooling modes.

Overload Protection - These units are equipped with an electrical safety overload which stops the compressor in the event of electrical overload. If repeated overload cycling occurs, call your dealer or a local repair agency equipped to service air conditioning equipment.

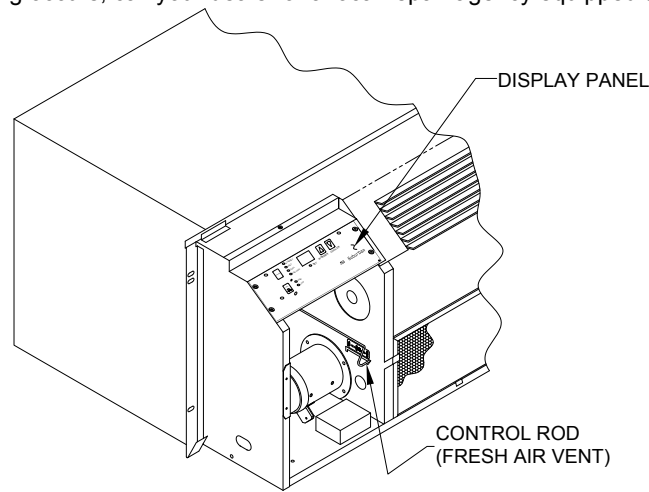


Figure 16

REMOVING UNIT FOR SERVICE

1. Shut off gas supply to unit.
2. Break electrical circuit to unit at fuse box if wired permanently. Disconnect wiring in junction box on unit. If service cord is used, unplug from wall receptacle.
3. Disconnect inlet gas line to unit.
4. Disconnect thermostat wiring at terminal block on module board, if unit is wired for remote thermostat.
5. Pull unit from wall case.
6. To reinstall, reverse above procedure.
7. Check gas connections for leaks using a soap and water solution. Do not use an open flame to check for leaks. Correct **any** gas leaks immediately.

PREVENTIVE MAINTENANCE

⚠ WARNING

If the user of this appliance fails to maintain it in the condition in which it was shipped from the factory or if the appliance is not used solely for its intended purpose or if appliance is not maintained in accordance with the instructions in this manual, then the risk of a fire and/or the production of carbon monoxide exists which can cause personal injury, property damage or loss of life.

IMPORTANT: Always verify proper operation after servicing.

⚠ WARNING

Always disconnect electrical supply before cleaning unit or performing any maintenance.

The unit should be inspected by a qualified service person yearly before turning the unit on heat for the winter. Particular attention should be given to the following:

1. Inspect all gaskets. If any gaskets show signs of leakage or deterioration, they must be replaced. Safe operation of the unit depends on all gaskets being tight.
2. Inspect combustion chamber and venting to assure that these components are physically sound without holes or excessive corrosion. Replace if found to be defective.
3. Inspect exhaust and intake for restrictions and for adequate sealing of any mating parts. (See "Minimum Outside Clearances")

⚠ WARNING

It is imperative that the products of combustion be properly vented to the outside atmosphere and that all combustion air supplied to the burner be drawn from the outside atmosphere.

4. Check outside grille to be sure it is clean and free of any obstructions.
5. Check the control compartment, burner and circulating air passageways of the unit. These areas must be kept clean. **NOTE:** More frequent cleaning may be required due to excessive lint from carpeting, bedding material, etc.
6. Check burner for proper operation. A proper flame will have a blue inner cone with well defined pattern and an orange outer cone with slightly yellow tips. A flame that is yellow in appearance with an erratic flame pattern indicates a restriction in the air supply. Shut the unit down and have the burner and air passage ways checked and cleaned as needed. The surface of the burner and each burner port should be cleaned with a steel wire brush and blown clean using compressed air. (See Figure 15 for illustration of a correct and incorrect burner flame.)

7. Check all gas connections and gas controls (electrical valves, manual shut-off valves, regulators, etc.) for leaks.
8. This inspection should include a complete operational check of the unit including all electrical and mechanical components.
NOTE: If cabinet front was removed in order to inspect the unit and controls, it must be reinstalled prior to operating the unit.

You as the owner/user should inspect the unit periodically during the heating season. Particular attention should be given to the following:

- A. Periodically observe the main burner flame to assure it is burning with a hard blue flame with well-defined burner ports. (See Figure 16.) If flame appears yellow or burner has a lazy flame, shut furnace down and contact a qualified service person.
- B. Periodically inspect the vent for obstructions or presence of soot. Soot is formed whenever combustion is incomplete. This is your visual warning that the furnace is operating in an unsafe manner. If soot is present, immediately shut furnace down and contact your dealer or a qualified service person.
- C. Circulating air through the front grille must not be blocked. Keep filter clean to assure adequate air flow.

The removable, washable type filter should be cleaned or replaced several times during the year. This will depend upon the usage and location of the unit. Dirty filters restrict air flow across the heat exchanger and coils. This results in inadequate cooling and shortens the life expectancy of the heat exchanger, motors and compressor.

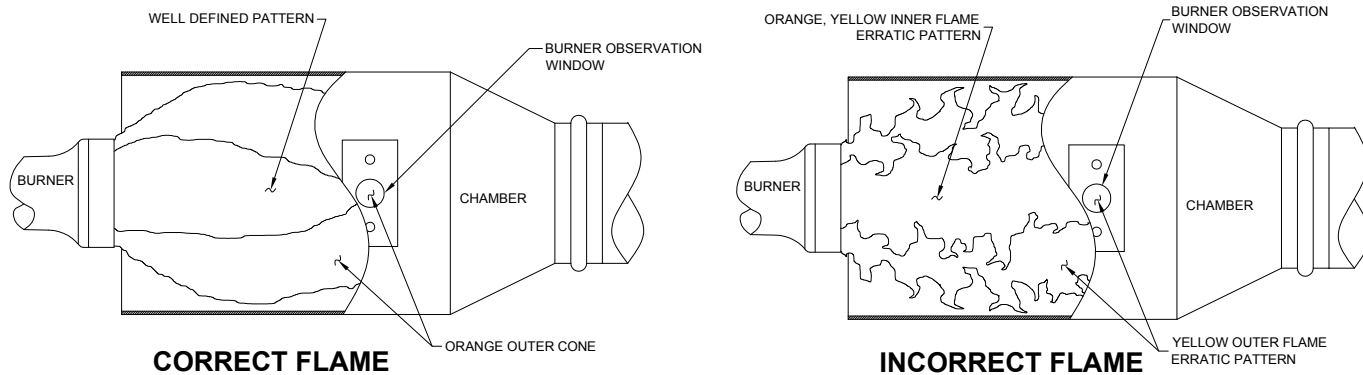


Figure 17

Filter Removal

1. The filter is located behind the cabinet front. Remove cabinet front by lifting up. Slide filter up until free of left tab.
2. Filter may be washed in a soapy solution and rinsed in clear water. Let filter dry before reinstalling it on the unit.
3. Reinstall filter.

NOTE: NEVER OPERATE UNIT WITH FILTER REMOVED. Evaporator coil and/or drain pan may become restricted.

4. Reinstall cabinet front.

Cleaning Condenser Coil

NOTE: Work should be performed by a qualified service person.

NOTE: Use a coil cleaner recommended by one of these manufacturers:

- Nu Calgon
- Rector Seal

NOTE: Make sure gas and electrical supply is "OFF" to unit.

1. Remove cabinet front. Remove four (4) screws from left and right side panels; set aside for reinstallation.
2. Remove unit from wall sleeve.
3. After unit is removed, move to an open area.
4. To begin process of cleaning the condenser coil, remove the following screws:
 - a) Remove four(4) screws from condenser housing braces. (see "A" figure 17) Set braces aside for reinstallation.
 - b) Remove condenser coil cover- (2) additional screws. (see "B" figure 17) Set aside for reinstallation.
5. Motor should be covered during cleaning.
6. Be sure to follow the manufacturers instructions in the use and disposal of their products.
7. Apply the cleaning solution to the coil by trickle method across the top of the coil until solution runs from drain.
8. The coil can then be cleaned with a water hose by back washing it until all dirt is drained from weep holes in the chassis. Unit should be tilted back so water will drain to the back. Allow unit to air dry.
9. Reassemble condenser coil cover and braces.
10. Reinstall unit into wall sleeve.
11. Reinstall cabinet front.

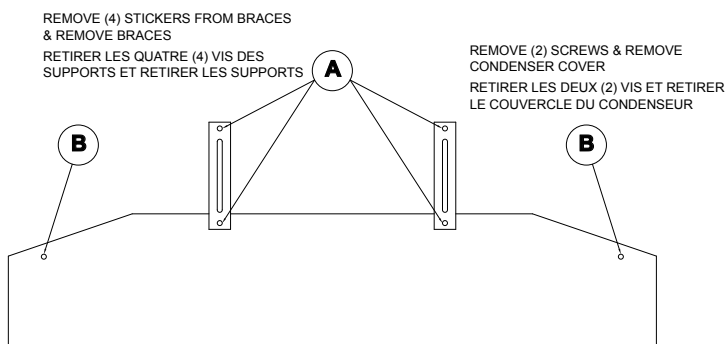


Figure 18

NOTE: After unit is reinstalled, check for gas leaks and verify proper operation in heat and A/C modes.

Listed below are several safety related items that you should follow during the heating season to assure continued safe operation of the furnace.

1. Never operate the unit if you smell gas. Do not assume that the smell of gas is normal. Any time you detect the odor of gas, it is to be considered life threatening and corrected immediately. (See safety notice on front cover of this manual)
2. Immediately shut unit down and call a service agency if unit cycles erratically or delays on ignition.

⚠ WARNING

Should overheating occur, or the gas supply fail to shut off, shut off the manual gas valve to the appliance before shutting off the electrical supply.

3. Do not restrict the flow of combustion air or the warm air circulation to the unit. To do so could cause personal injury and/or death.

⚠ WARNING

Do not install screens over the vent for any reason. Screens will become restricted and cause unsafe furnace operation.

4. Keep unit clean. More frequent cleaning may be required due to excessive lint from carpeting, bedding material, etc. It is imperative that control compartments, burners and circulating air passageways of the appliance be kept clean.
5. Keep the furnace area clear of any combustible materials, gasoline or other flammable vapor and liquids.
6. Do not use this appliance if any part has been submerged under water. Immediately call a qualified service technician to inspect the appliance and to replace any part of the control system and any gas control that has been submerged under water.
7. Always follow the operating instructions. Do not deviate from the step-by-step procedures.
8. Never attempt to repair damaged parts. Always have them replaced by a qualified service agency.
9. Never attempt to repair the furnace yourself. Seek the help of a qualified service person.
10. The room air motor, the condenser motor and the combustion air motor are maintenance free motors and require no oiling.

GENERAL NOTES

The efficiency rating of this unit is a product thermal efficiency rating determined under continuous operating conditions and was determined independent of any installed system.

⚠ IMPORTANT

Children and adults should be alerted to the hazards of high surface temperatures and should stay away to avoid burns or clothing ignition.

Young children should be carefully supervised when they are in the same room as the unit.

Clothing or other flammable material should not be placed on or near the unit.

Any safety screen or guard removed for servicing the unit must be replaced prior to operating the unit.

Installation and repairs should be done by a qualified service person. The appliance should be inspected before use and at least annually by a qualified service person. More frequent cleaning may be required due to excessive lint from carpeting, bedding material, etc. It is imperative that control compartments, burners and circulating air passageways of the appliance be kept clean.

Never operate unit with filter removed. Evaporator coil and/or drain pan may become restricted.

Maximum Capacity of Pipe in Cubic Feet of Gas per Hour for Gas Pressures of 0.5 PSIG or Less and a Pressure Drop of 0.3 Inch Water Column (Based on a 0.60 Specific Gravity Gas)

Nominal Iron Pipe Size, in Inches	Internal Diameter, in Inches	LENGTH OF PIPE, Feet													
		10	20	30	40	50	60	70	80	90	100	125	150	175	200
1/4	.364	32	22	18	15	14	12	11	11	10	9	8	8	7	6
3/8	.493	72	49	40	34	30	27	25	23	22	21	18	17	15	14
1/2	.622	132	92	73	63	56	50	46	43	40	38	34	31	28	26
3/4	.824	278	190	152	130	115	105	96	90	84	79	72	64	59	55
1	1.049	520	350	285	245	215	195	180	170	160	150	130	120	110	100
1 - 1/4	1.380	1,050	730	590	500	440	400	370	350	320	305	275	250	225	210
1 - 1/2	1.610	1,600	1,100	890	760	670	610	560	530	490	460	410	380	350	320
2	2.067	3,050	2,100	1,650	1,450	1,270	1,150	1,050	990	930	870	780	710	650	610
2 - 1/2	2.469	4,800	3,300	2,700	2,300	2,000	1,850	1,700	1,600	1,500	1,400	1,250	1,130	1,050	980
3	3.068	8,500	5,900	4,700	4,100	3,600	3,250	3,000	2,800	2,600	2,500	2,200	2,000	1,850	1,700
4	4.025	17,500	12,000	9,700	8,300	7,400	6,800	6,200	5,800	5,400	5,100	4,500	4,100	3,800	3,500

WIRING DIAGRAMS

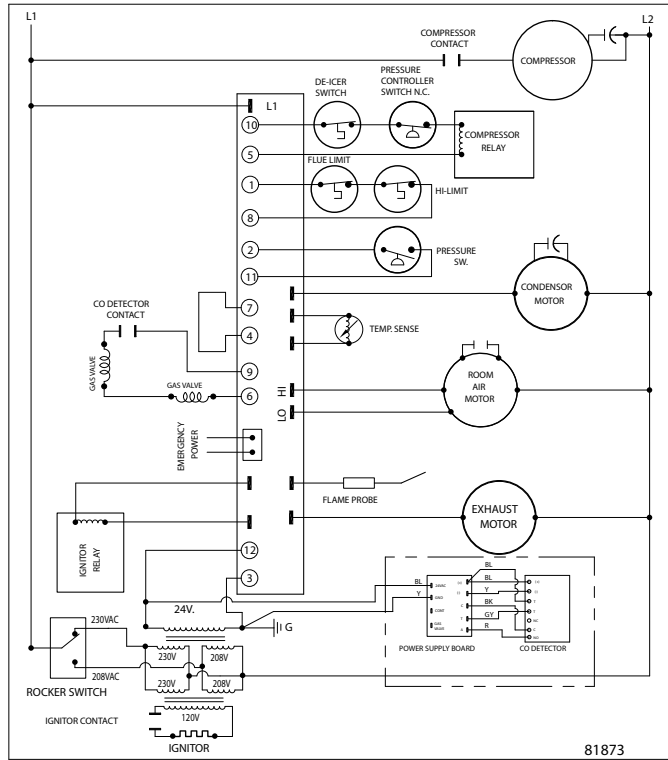


Figure 19

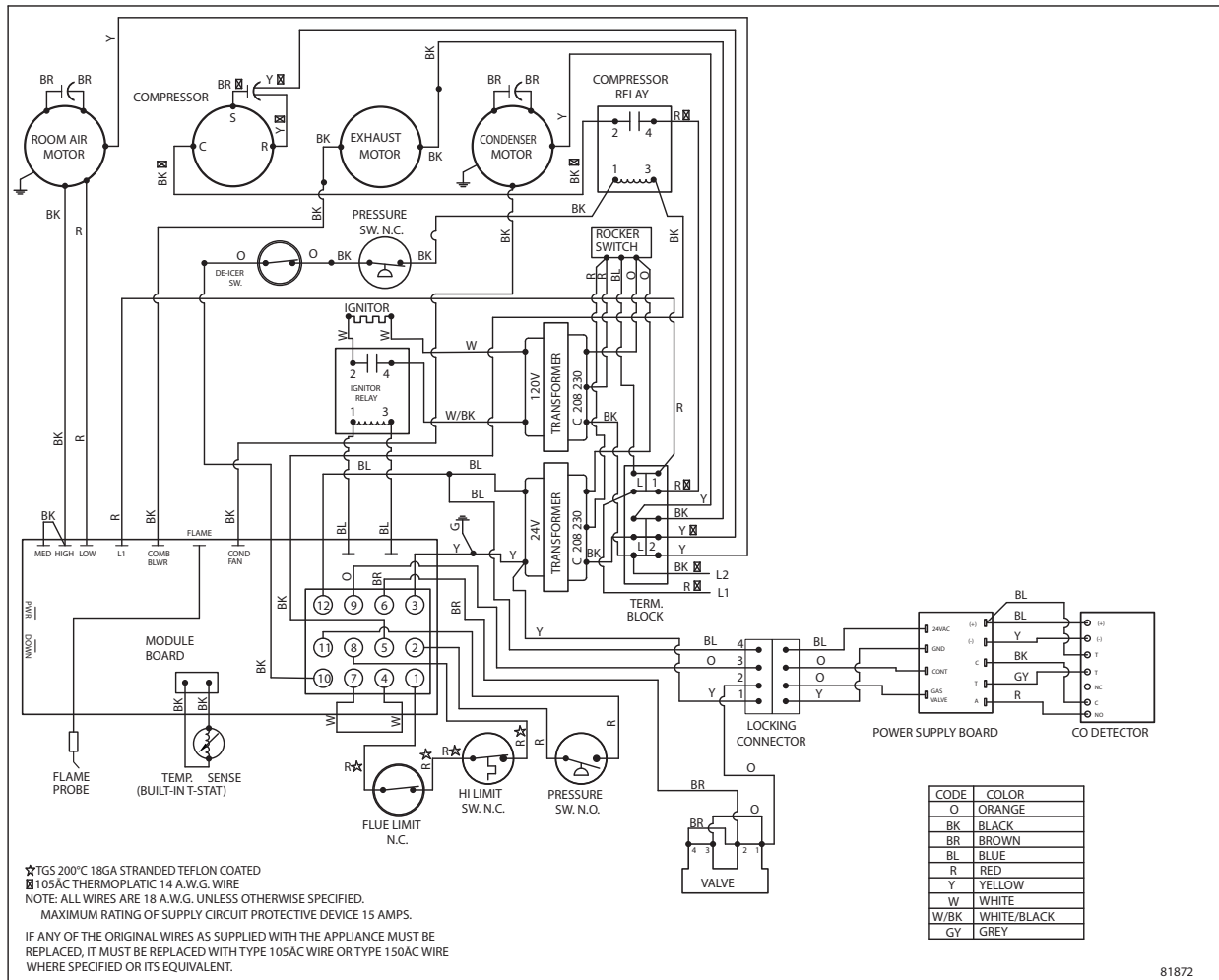
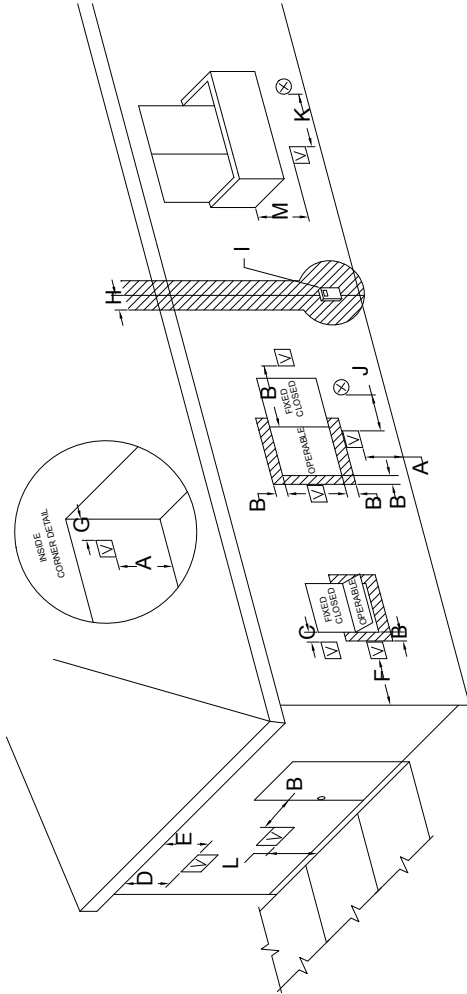


Figure 20



VENT TERMINAL **AIR SUPPLY INLET** **AREA WHERE TERMINAL IS NOT PERMITTED**

	CANADIAN INSTALLATIONS ¹	US INSTALLATIONS ²	CANADIAN INSTALLATIONS ¹	US INSTALLATIONS ²
CLEARANCE ABOVE GRADE, VERANDA, PORCH, DECK, OR BALCONY	12 INCHES (30cm) (SEE NOTE a)	12 INCHES (30cm) (SEE NOTE a)	CLEARANCE TO NONMECHANICAL AIR SUPPLY INLET TO BUILDING OR THE COMBUSTION AIR INLET TO ANY OTHER APPLIANCE.	6 INCHES (15cm) FOR APPLIANCES <10,000 Btu/h (3kw), 9 INCHES (23cm) FOR APPLIANCES >10,000 Btu/h (3kw) AND 50,000 Btu/h (15kw) 12 INCHES (30CM) FOR APPLIANCES > 50,000 Btu/h (15kw)
CLEARANCE TO WINDOW OR DOOR THAT MAY BE OPENED	6 INCHES (15cm) FOR APPLIANCES <10,000 Btu/h (3kw), 12 INCHES (30cm) FOR APPLIANCES >10,000 Btu/h (3kw) AND <100,000 Btu/h (30kw)	6 INCHES (15cm) FOR APPLIANCES <10,000 Btu/h (3kw), 9 INCHES (23cm) FOR APPLIANCES 10,000 Btu/h (3kw) AND 50,000 Btu/h (15kw) 12 INCHES (30CM) FOR APPLIANCES 50,000 Btu/h (15kw)	CLEARANCE TO A MECHANICAL AIR SUPPLY INLET	3 FEET (91cm) ABOVE IF WITHIN 10 FEET (3m) HORIZONTALLY
CLEARANCE TO WINDOW OR DOOR THAT MAY BE OPENED	* a	* a	CLEARANCE ABOVE PAVED SIDEWALK OR PAVED DRIVEWAY LOCATED ON PUBLIC PROPERTY	7 FEET (2.13m) †
VERTICAL CLEARANCE TO VENTILATED SOFFIT LOCATED ABOVE THE TERMINAL WITH A HORIZONTAL DISTANCE OF 2 FEET (61cm) FROM THE CENTER LINE OF THE TERMINAL	* a	* a	CLEARANCE UNDER VERANDA, PORCH, DECK, OR BALCONY	12 INCHES (30cm) ‡
CLEARANCE TO UNVENTILATED SOFFIT	* a	* a		
CLEARANCE TO OUTSIDE CORNER	* a	* a		
CLEARANCE TO INSIDE CORNER	* a	* a		
CLEARANCE TO EACH SIDE OF CENTER LINE EXTENDED ABOVE METER / REGULATOR ASSEMBLY	3 FEET (91cm) WITHIN A HEIGHT 15 FEET (4.5m) ABOVE THE METER / REGULATOR ASSEMBLY			
CLEARANCE TO SERVICE REGULATOR VENT OUTLET	3 FEET (91cm)			

1 IN ACCORDANCE WITH THE CURRENT CSA B149.1, NATURAL GAS AND PROPANE INSTALLATION CODE
 2 IN ACCORDANCE WITH THE CURRENT ANSI Z223.1/NFPA 54, NATIONAL FUEL GAS CODE
 † A VENT SHALL NOT TERMINATE DIRECTLY ABOVE A SIDEWALK OR PAVED DRIVEWAY THAT IS LOCATED BETWEEN TWO SINGLE FAMILY DWELLINGS AND SERVES BOTH DWELLINGS
 ‡ PERMITTED ONLY IF VERANDA, PORCH, DECK, OR BALCONY IS FULLY OPEN ON A MINIMUM OF TWO SIDES BENEATH THE FLOOR.
 * FOR CLEARANCES NOT SPECIFIED IN ANSI Z223.1/NFPA 54 OR CSA B149.1, ONE OF THE FOLLOWING SHALL BE INDICATED:
 a) A REFERENCE TO THE FOLLOWING FOOTNOTE:
 "CLEARANCE IN ACCORDANCE WITH LOCAL INSTALLATION CODES AND THE REQUIREMENTS OF THE GAS SUPPLIER AND MANUFACTURERS INSTALLATION INSTRUCTIONS (SEE MANUAL SUPPLIED WITH APPLIANCE)"

OPTIONAL ACCESSORIES

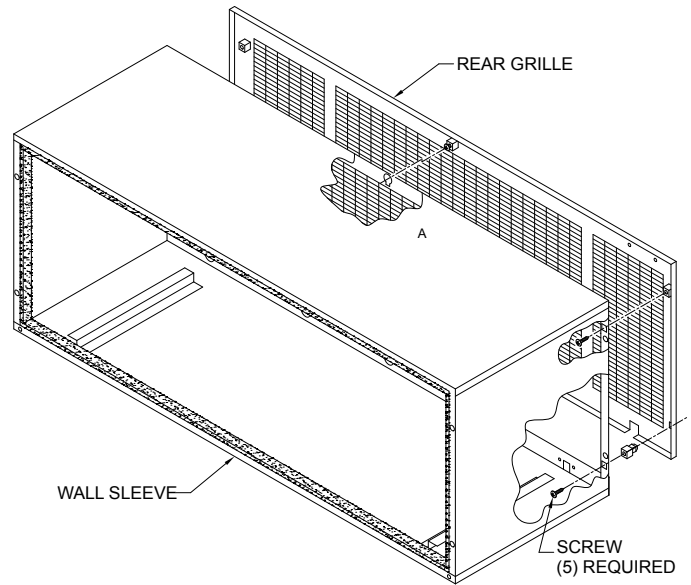
ALUMINUM GRILLE STOCK NO. 1625

INTRODUCTION

The grille was specially designed for the DL3 Dynaline. Do not attempt to bend or alter the design of the grille or the venting system of the Dynaline unit.

The grille will also work, as designed, for those models with rear gas hook-up.

IMPORTANT: Installation of the rear grille must be made prior to installing the chassis as it secures from inside the wall sleeve.



ARCHITECTURAL STYLE GRILLES

NATURAL FINISH ALUMINUM GRILLE STOCK NO. 1420

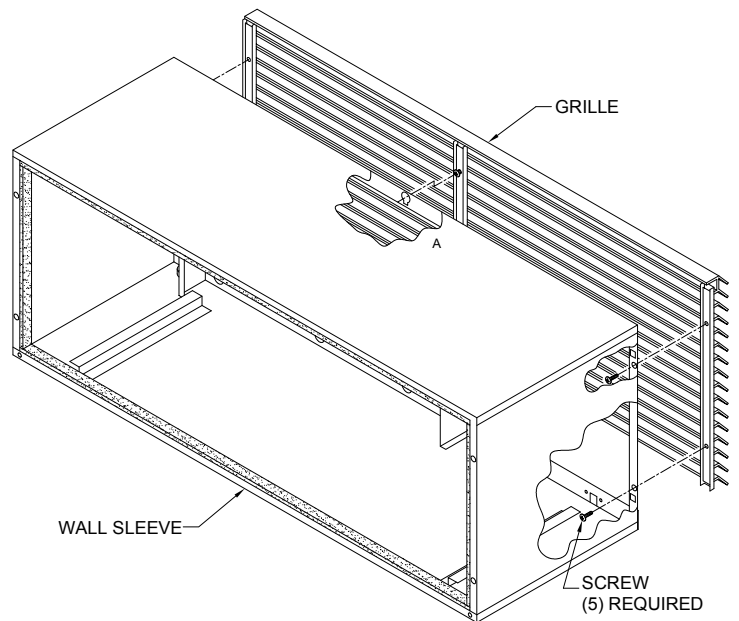
DARK BRONZE FINISH GRILLE STOCK NO. 1418

INTRODUCTION

These architectural grilles are designed to be used as an optional/alternate for the standard aluminum grille #1625. They are to be installed so that the angle of the grille is in the downward position. Remember, these are special grilles. Do not attempt to bend or alter the design of the grille, the venting system or the Dynaline unit.

These grilles will also work, as designed, for those models with rear gas hook-up.

IMPORTANT: Installation of the rear grille must be made prior to installing the chassis as it secures from inside the wall sleeve.



DL3 AIR DISCHARGE PACKAGE

STOCK NO. K/10730 - ADAPTOR
STOCK NO. K/10733 - EXTENSION
STOCK NO. K/10734 - CONNECTOR

INTRODUCTION

This optional package allows for distribution of air into an adjacent zone requiring a controlled temperature. This assembly will discharge the conditioned air to either the right or left depending upon which end the cap is placed. (See Figures 20 and 21)

This package, when installed on a DYNA09AC series cannot be lengthened. Maximum length, not including adaptor, is 43 1/4". On model DYNA12AC and DYNA16AC, additional lengths may be added.

If additional length is required, connector assembly (No. K/10734) may be used. No more than two (2) connectors may be used. Maximum length not including the adaptor is 130" (10.8 Feet).

NOTE: Installer must provide wall support brackets for the connector and extension. **Not recommended for use on models with built-in thermostats.**

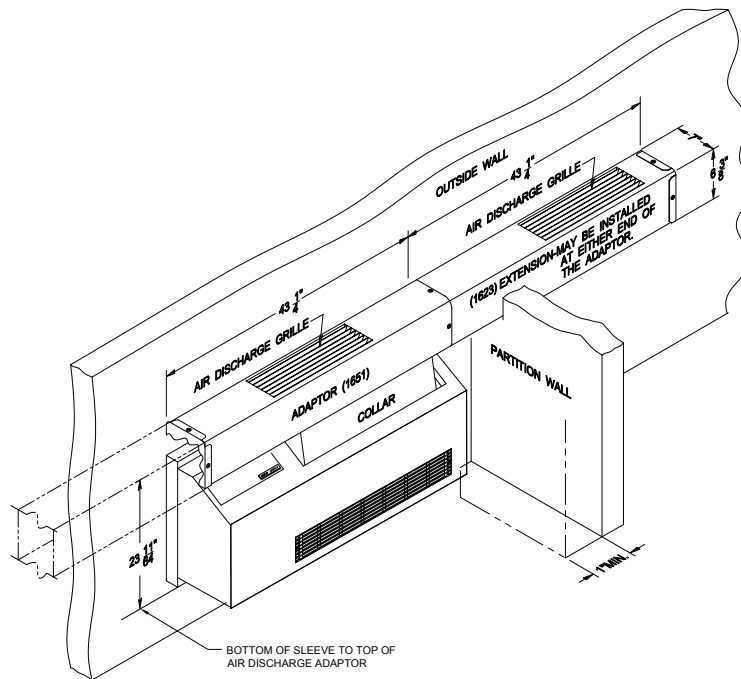


Figure 21

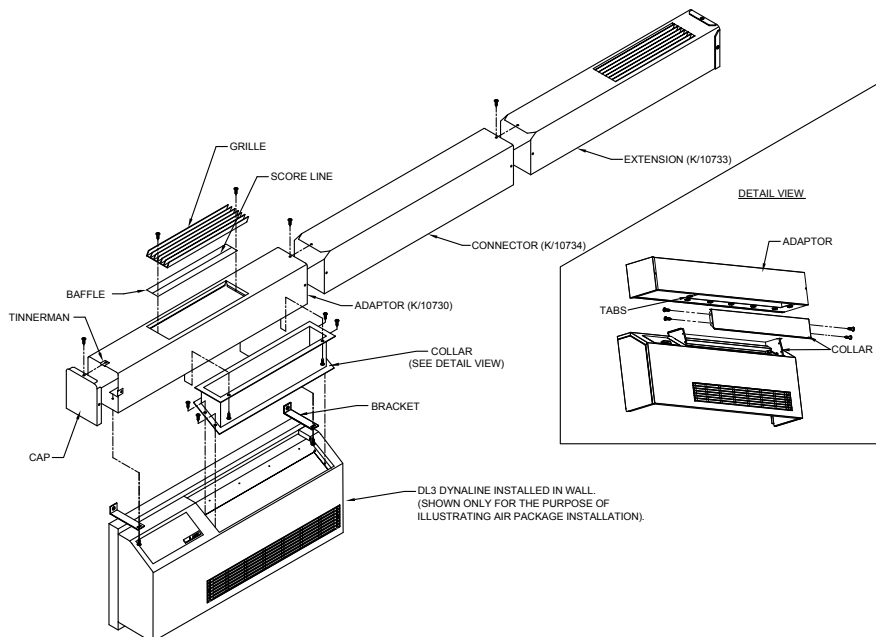


Figure 22

Dynaline 3 Model Identification

Example	D	Y	N	A	0	9	A	C	A	0	1	2	L	F	2	0	1	0	0
Position	1	2	3	4	5	6	7	8	9	10	11	12	13	14	15	16	17	18	19
1																			
2	Unit Designation			Dynaline 3™															
3																			
4																			
5	Nominal Cooling Capacity			09 = 9,500 12 = 11,500 16 = 15,000															
6																			
7	System Type			AC = Air Conditioner															
8																			
9	Power Supply (Volts-Phase-Hz)			A = 208/230-1-60 V = 277-1-60															
10																			
11	Nominal Heat Input			012 = 12,000 020 = 18,000 022 = 20,000															
12																			
13	Fuel Type			N = Natural Gas L = LP Gas															
14	Gas Connection			F = Front															
15																			
16	Revision Code			20															
17																			
18	Cabinet Color			100 = Pebble Gray 416 = White 200 = Gray															
19																			

Requirements for Installation Commonwealth of Massachusetts

For all side wall horizontally vented gas fueled equipment installed in every dwelling, building or structure used in whole or in part for residential purposes, including those owned or operated by the Commonwealth and where the side wall exhaust vent termination is less than seven (7) feet above finished grade in the area of the venting, including but not limited to decks and porches, the following requirements shall be satisfied:

1. **INSTALLATION OF CARBON MONOXIDE DETECTORS.** At the time of installation of the side wall horizontal vented gas fueled equipment, the installing plumber or gas fitter shall observe that a hard wired carbon monoxide detector with an alarm and battery back-up is installed on the floor level where the gas equipment is to be installed. In addition, the installing plumber or gas fitter shall observe that a battery operated or hard wired carbon monoxide detector with an alarm is installed on each additional level of the dwelling, building or structure served by the side wall horizontal vented gas fueled equipment. It shall be the responsibility of the property owner to secure the services of qualified licensed professionals for the installation of hard wired carbon monoxide detectors.
 - a. In the event that the side wall horizontally vented gas fueled equipment is installed in a crawl space or an attic, the hard wired carbon monoxide detector with alarm and battery back-up may be installed on the next adjacent floor level.
 - b. In the event that the requirements of this subdivision can not be met at the time of completion of installation, the owner shall have a period of thirty (30) days to comply with the above requirements; provided, however, that during said thirty (30) day period, a battery operated carbon monoxide detector with an alarm shall be installed.
2. **APPROVED CARBON MONOXIDE DETECTORS.** Each carbon monoxide detector as required in accordance with the above provisions shall comply with NFPA 720 and be ANSI/UL 2034 listed and IAS certified.
3. **SIGNAGE.** A metal or plastic identification plate shall be permanently mounted to the exterior of the building at a minimum height of eight (8) feet above grade directly in line with the exhaust vent terminal for the horizontally vented gas fueled heating appliance or equipment. The sign shall read, in print size no less than one-half (½) inch in size, **“GAS VENT DIRECTLY BELOW, KEEP CLEAR OF ALL OBSTRUCTIONS”**.
4. **INSPECTION.** The state or local gas inspector of the side wall horizontally vented gas fueled equipment shall not approve the installation unless, upon inspection, the inspector observes carbon monoxide detectors and signage installed in accordance with the provisions of 248 CMR 5.08(2)(a) 1 through 4.

(b) EXEMPTIONS: The following equipment is exempt from 248 CMR 5.08(2)(a)1 through 4:

1. The equipment listed in Chapter 10 entitled “Equipment Not Required To Be Vented” in the most current edition of NFPA 54 as adopted by the Board; and
2. Product Approved side wall horizontally vented gas fueled equipment installed in a room or structure separate from the dwelling, building or structure used in whole or in part for residential purposes.

Dynaline by Marvair, Inc. Limited Product Warranty

Marvair Inc., warrants its Dynaline to be free from defects in materials and workmanship under normal use to the original purchaser for the period of time in the table below. If any part of your Dynaline product fails within 24 months from the date of the original start-up, Marvair will furnish without charge, EXW Cordele, Georgia, the required replacement part. The owner must provide proof of the date of the original start-up. The contractor's invoice, the certificate of occupancy, or similar documents are examples of acceptable proof of the date of the original start-up.

Dynaline
90 Days ¹ DOA (Dead on Arrival) labor coverage (<i>See Dynaline Flat Rate Labor Guidelines</i>)
2 Year Parts ONLY Warranty on Entire Unit ^{2,3}
Additional 3 Years Parts Only coverage on the Compressor ³
Additional 8 Years Parts Only Coverage on the Heat Exchanger ^{2,3}

¹If any part of your Dynaline unit fails within 90 days of the commencement of the warranty, Marvair, Inc. will furnish without charge, EX Works, Cordele, Georgia, the required replacement part and pay for the labor to replace the part in accordance with the Dynaline Flat Rate Labor Guidelines.

²All OTR (over the road) applications that are moved from one location to another: Factory Warranty applies only up to the point of initial start-up and test at all OEM manufacturing locations or subsequent facility. Once it goes into OTR service, the warranty expires immediately for compressor and sealed system components. This OTR exemption does not apply to relocatable classrooms, construction or office trailers.

³All warranty replacement parts shall be shipped Ground only. Expedited shipping is available upon request for additional cost.

The responsibility of the equipment owner includes:

- To operate the equipment in accordance with the manufacturer's instructions.
- To provide easy accessibility for servicing.
- To check and reset any circuit breaker(s) and/or disconnect(s) prior to calling for service.
- To keep the unit clean and free of dirt and containment and replace filters as required.
- To keep the outdoor coil clean and free of leaves, paper, or other debris.
- To pay the charges incurred when any of the above have not been done.
- To pay for repair or replacement of any material or part other than those within the Marvair, Inc. unit or controller.

Marvair, Inc., will not be responsible for labor after 90 days, transportation costs, delays or failures to complete repairs caused by events beyond our control (labor hours incurred due to required site-specific training, time waiting to gain access, or extended drive time for remote sites). This warranty does not cover:

- Any transportation, related service labor, diagnosis calls, filter, driers, refrigerant, or any other material charges.
- Damages caused by shipping, accident, abuse, negligence, misuse, fire, flood, or Acts of God.
- Damages caused by operating or staging the unit in a corrosive environment.
- Damages caused by improper application of the product.
- Damages caused by failing to perform proper routine maintenance.
- Expenses incurred for erecting, disconnecting or dismantling the product or installing the replacement part(s).
- Products not installed or operated according to the included instructions, local codes, and good trade practices.
- Products moved from the original installation site.
- Products lost or stolen
- Consequential damages or incidental expenses including losses to persons, property or business.
- Modifications to original unit after it leaves the factory, such as breaking into any part of the sealed systems unless authorized in advance in writing by Marvair, Inc..
- Damages as a result of operating as a construction site cooler / dehumidifier.

When service is required, it must be performed during normal working hours (8:00 AM - 5:00 PM) Monday - Friday and must be performed by Marvair Inc., personnel or a designated Service Representative.

The owner of the product may ship the allegedly defective or malfunctioning product or part to Marvair Inc., at such owner's expense, and Marvair Inc., will diagnose the defect and, if the defect is covered under this warranty, Marvair Inc. will honor its warranty and furnish the required replacement part. All costs for shipment and risk of loss during shipment of the product to Marvair Inc. and back to the owner shall be the responsibility and liability of the owner. Upon written request by an owner, Marvair Inc. may arrange for remote diagnosis of the allegedly defective or malfunctioning product or part but all costs for transportation, lodging and related expenses with regard to such diagnostic services shall be the responsibility and liability of the owner.

An owner requesting performance under this Warranty shall provide reasonable access to the allegedly defective or malfunctioning product or part to Marvair Inc. and its authorized agents and employees.

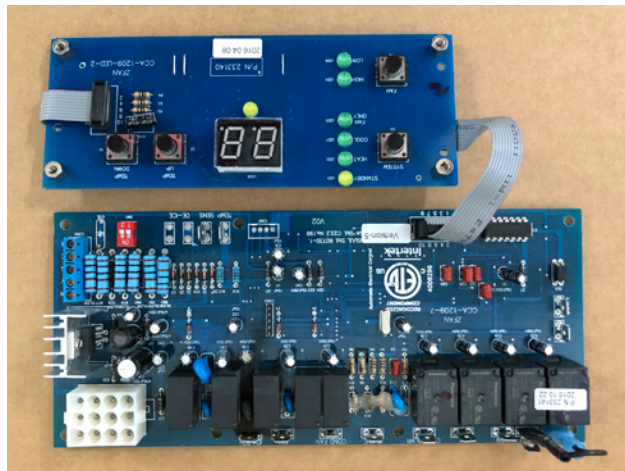
THIS WARRANTY CONSTITUTES THE EXCLUSIVE REMEDY OF ANY PURCHASER OF A MARVAIR HEAT PUMP OR AIR CONDITIONER AND IS IN LIEU OF ALL OTHER WARRANTIES, EXPRESSED OR IMPLIED, INCLUDING, WITHOUT LIMITATION, ANY IMPLIED WARRANTY OF MERCHANTABILITY OR FITNESS FOR USE, TO THE FULLEST EXTENT PERMITTED BY LAW. IN NO EVENT SHALL ANY IMPLIED WARRANTY OF MERCHANTABILITY OR FITNESS FOR USE EXCEED THE TERMS OF THE APPLICABLE WARRANTY STATED ABOVE AND MARVAIR SHALL HAVE NO OTHER OBLIGATION OR LIABILITY. IN NO EVENT SHALL MARVAIR BE LIABLE FOR INCIDENTAL OR CONSEQUENTIAL DAMAGES OR MONETARY DAMAGES.

THIS WARRANTY GIVES YOU SPECIFIC LEGAL RIGHTS, AND YOU MAY ALSO HAVE OTHER RIGHTS WHICH VARY FROM STATE-TO-STATE. Some states do not allow limitations or exclusions, so the above limitations and exclusions may not apply to you.

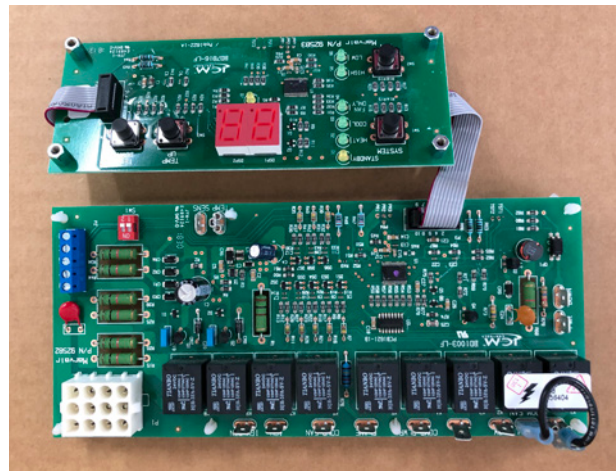
03/16/2020 New

MODULE BOARD AND DISPLAY BOARD REPLACEMENT INSTRUCTIONS ALL DL3 UNITS

Dynaline is introducing an updated control board and display for the Dynaline DL3 models DYNA09AC, DYNA12AC and DYNA16AC. This is effective on production starting with serial number *LH-F164074-0-12* produced on November 26, 2018. These new boards are GREEN to distinguish them from previous controls. The main board is marked part number 92582 and the display module board is marked with part number 92583. See the photos below to aid in distinguishing the new control board from the previous version.



OLD Control and Display Circuit Boards (Blue)



NEW Control and Display Circuit Boards (Green)

Service kit K/11022 consists of the main control board and display module. These controls also do not require the recent EMI shield. The EMI shield, if installed, should be removed and discarded if it is desired to upgrade the controls.

These new control boards and displays must be installed as a set in existing Dynaline DL-3 models currently in service. The new display is not compatible with, and cannot be used, with older version boards and the new main control board is not compatible with, and cannot be used, with older version display modules. If either the main board or the display module of older versions of the controls needs to be replaced, then service kit K/11022 must be used.

The updated controls include a new freeze protection feature that is active when the Dynaline is operated from the on-board thermostat and controls. The Dynaline model will operate in heat when the temperature drops below about 45°F when the unit is in STANDBY, HEAT and COOL mode. This mode can be disabled, if desired. If freeze protection is desired when operated from a wall-mount remote thermostat, a third-party thermostat with the freeze protection feature must be installed separately.

To disable the freeze protection feature, press the “FAN”, “WARMER” and “COOLER” buttons on the keyboard simultaneously. “NP” will be displayed when freeze protection is disabled and “FP” will be displayed when freeze protection is enabled.

The removal and re-installation of the Dynaline unit as well as the installation of this kit must be made by a qualified installer, service agency or the gas supplier.

Installation Instructions

1. Disconnect the power cord or turn off the unit at the circuit breaker.
2. Remove the front cover.
3. Remove the display board and its mounting bracket. Retain the screws. Unplug the patch cord from the module board.
4. Unplug the 12 position connector from the module board.
5. Tag then disconnect all of the remaining wires from the module board including low voltage thermostat wires.
6. Remove the module board from its mounting bracket by prying up all 7 of the board mounting clips. Remove any remaining clips from the bracket.
7. Install the replacement module board.
8. Reconnect all wires to the module board. For reference, see the attached wiring diagrams. The replacement module board is wired exactly like the original module board.
9. If remote thermostat is used, slide dip switch #1 to “ON”.
10. Install the replacement display board and its mounting bracket.

NOTE: The replacement boards must be installed as a pair.

11. Reconnect the power to the unit and operate the unit through a complete heating cycle, cooling cycle, and check the fan hi and low speeds.
12. Replace the front cover.

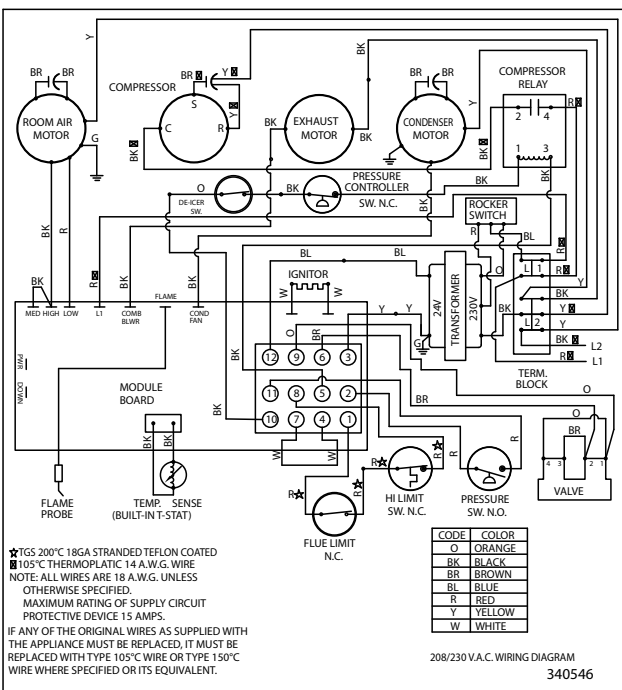
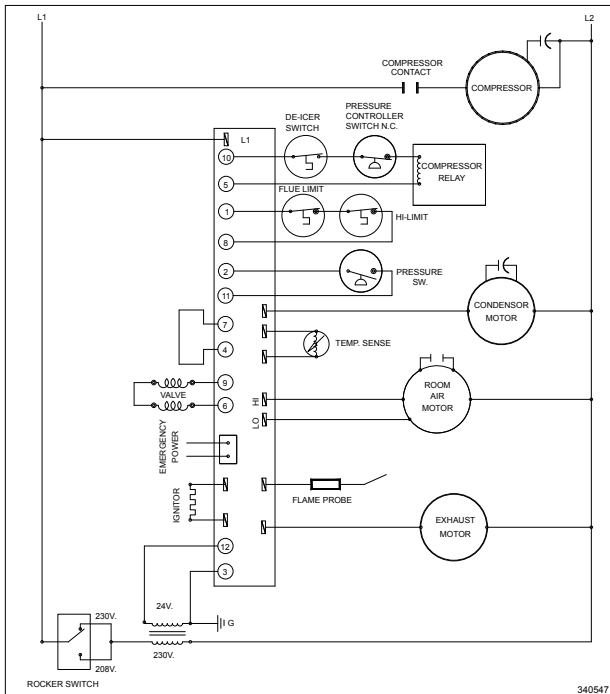
⚠ WARNING

Improper installation, adjustment, alteration, service or maintenance can cause property damage, personal injury or loss of life. Refer to the installation instructions and/or owners manual provided with this appliance. Installation and service must be performed by a qualified installer, service agency or the gas supplier.

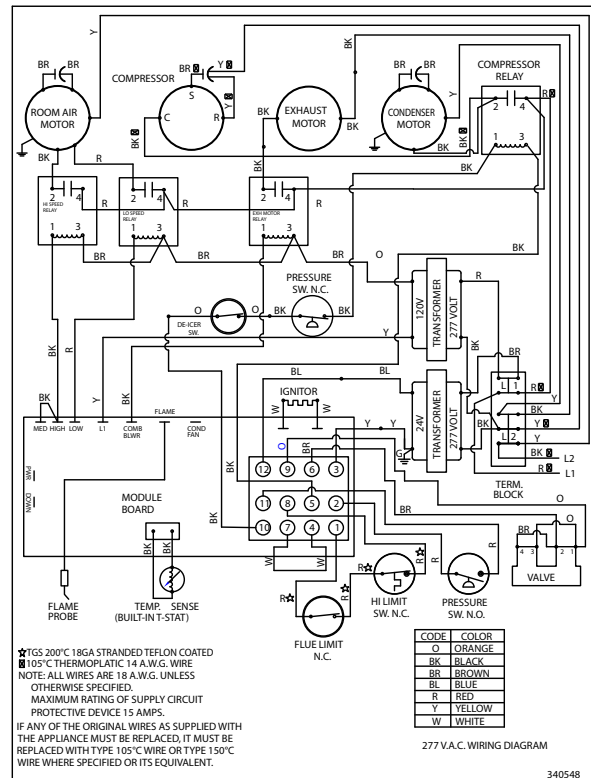
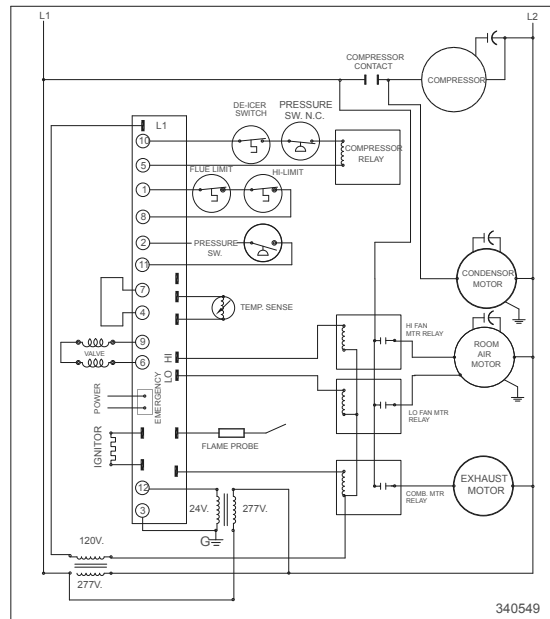
⚠ WARNING

Installation of this appliance must be made in accordance with the written instructions provided in the manual. No agent, representative or employee of Dynaline or other person has the authority to change, modify or waive any provision of the instructions contained in the manual or this instruction sheet.

Wiring Diagrams for **DYNALINE** 230 Volt MODELS with all-numeric serial numbers (up through 2015) **DYNA09AC • DYNA12AC • DYNA16AC**

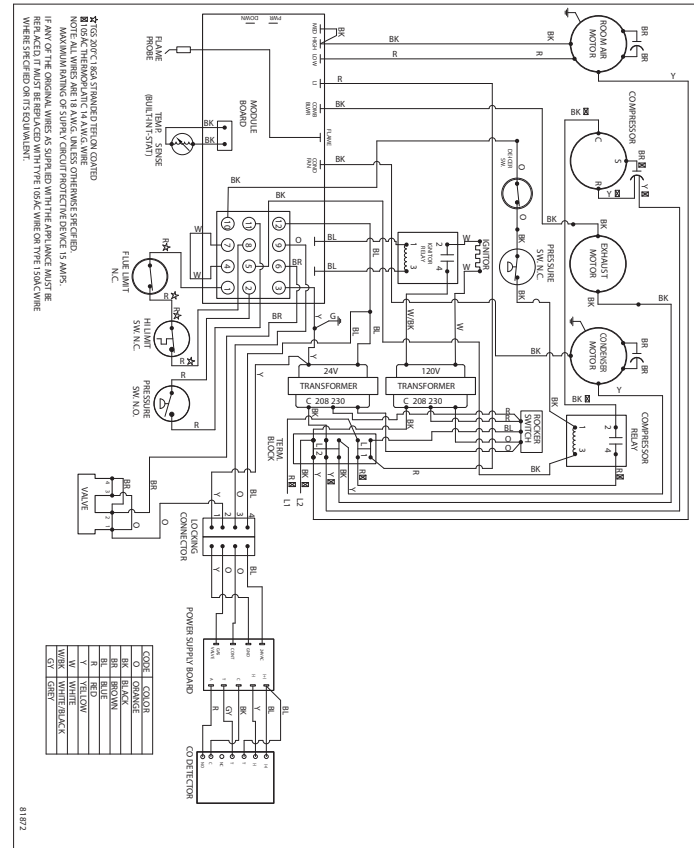
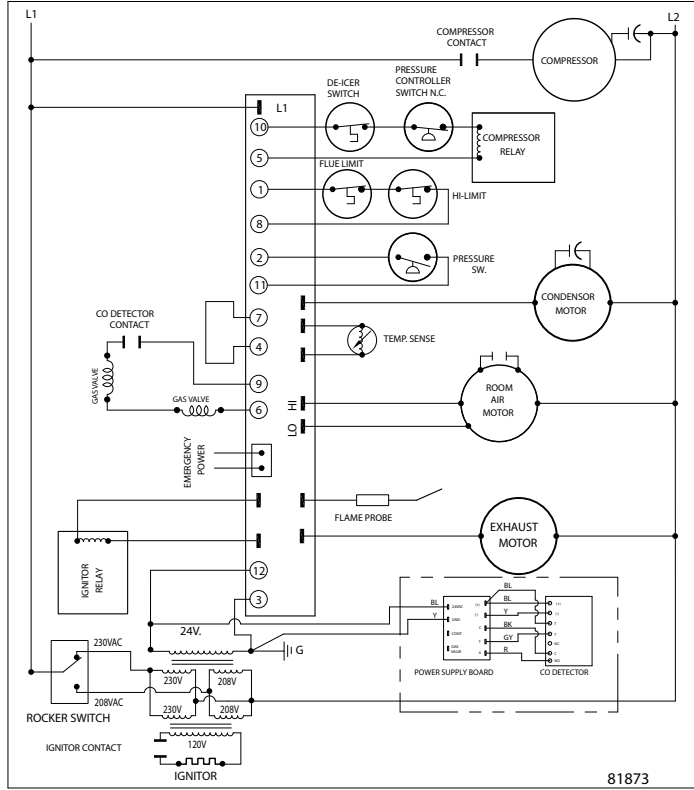


Wiring Diagrams for **DYNALINE** 277 Volt MODELS with all-numeric serial numbers (up through 2015) **DYNA12AC-7**



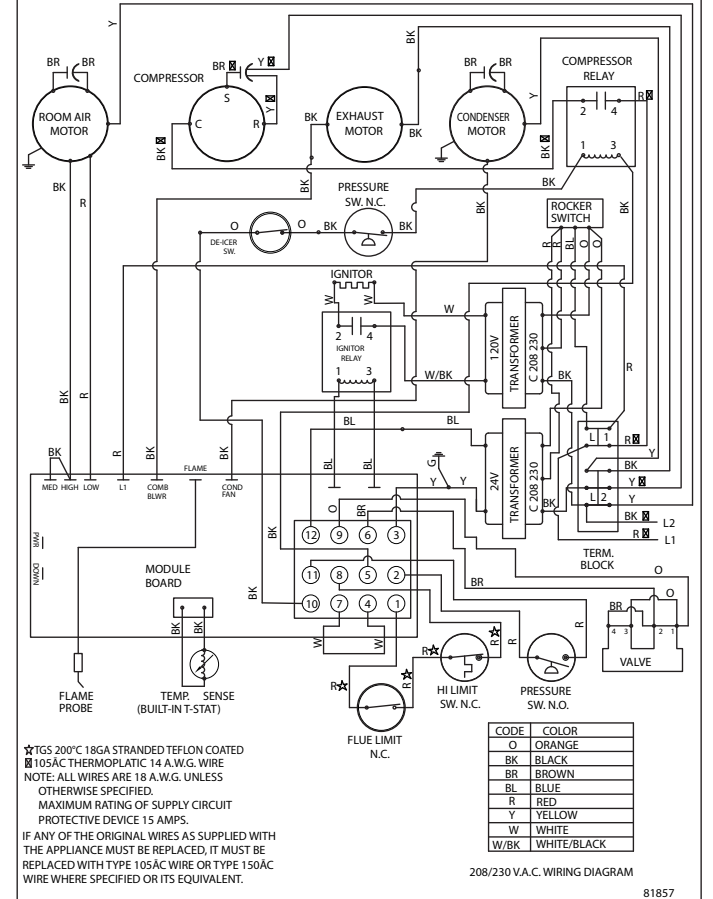
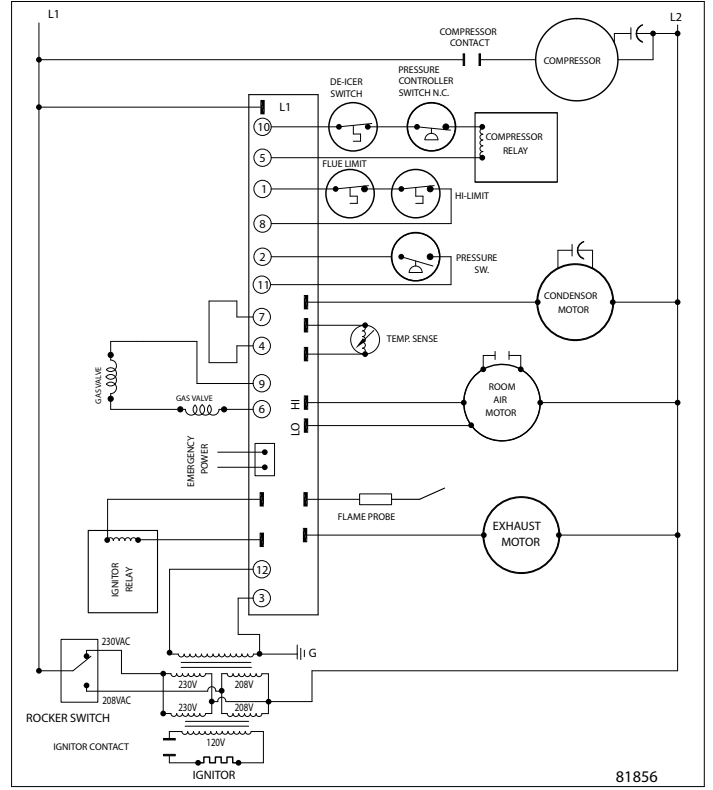
Wiring Diagrams for DYNALINE with serial numbers starting with letters (2016 and later)

WITH Carbon Monoxide Detector



Wiring Diagrams for DYNALINE with serial numbers starting with letters (2016 and later)

WITHOUT Carbon Monoxide Detector



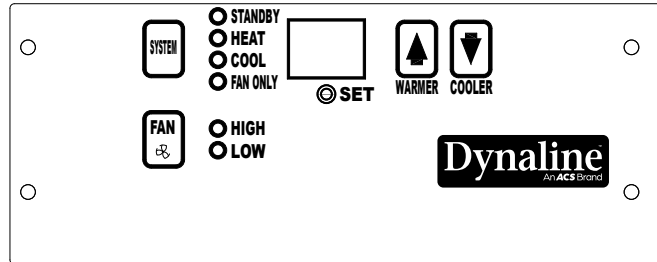
*TGS 200°C 18GA STRANDED TEFLON COATED
 # 105AC THERMOPLASTIC 14 A W/G WIRE
 NOTE: ALL WIRES ARE 18 A.W.G. UNLESS OTHERWISE SPECIFIED.
 MAXIMUM RATING OF SUPPLY CIRCUIT PROTECTIVE DEVICE 15 AMPS.
 IF ANY OF THE ORIGINAL WIRES AS SUPPLIED WITH THE APPLIANCE MUST BE REPLACED WITH TYPE 105AC WIRE OR TYPE 150AC WIRE WHERE SPECIFIED OR ITS EQUIVALENT.

CODE	COLOR
O	ORANGE
BK	BLACK
BR	BROWN
BL	BLUE
R	RED
Y	YELLOW
W	WHITE
W/BK	WHITE/BLACK

SYSTEM FAULTS AND SERVICE MENU DESCRIPTION

When a system fault is detected such as the HIGH LIMIT SWITCH OPEN, the DECIMAL POINT located in the lower right hand corner of the display will illuminate. When the fault is corrected or removed, the DECIMAL POINT will extinguish. The fault is logged into the microprocessor and can be recalled by the field service person. Faults will remain logged as long as power has not been interrupted to the control.

To review the faults that have been logged, a SERVICE menu can be activated by pressing both the SYSTEM key and the WARMER key simultaneously. "Sr" will now be displayed and the SYSTEM mode will go to the STANDBY setting. Check for fault number associated with the STANDBY mode.



Using the SYSTEM key, press once to go from STANDBY to HEAT. Check for fault numbers associated with the HEAT mode.

Press the SYSTEM key again to go from HEAT to COOL. Check for fault numbers associated with the COOL mode.

The SERVICE menu will "Time Out" automatically, and revert back to the previous setting.

NOTE 1: To removed faults that have been logged, cycle the power OFF (for 3 seconds) and then back ON.

NOTE 2: To reset a HEAT MODE LOCKOUT condition, exit the HEAT MODE of operation by pressing the system key and selecting any other system mode such as STANDBY for a minimum of 2 seconds before re-selecting the HEAT MODE of operation.

NOTE 3: When air conditioning is turned off, the compressor will not restart for five minutes. This delay period is to protect the compressor.

NOTE 4:

TEMPERATURE DISPLAY °F or °C

1. Depress "SYSTEM" and "WARMER" buttons at once and release. "Sr" will display.
2. Depress both "WARMER" and "COOLER" buttons to display F° or C°.

NOTE: "SR" will not display if the SET light is on.

CONTINUOUS FAN MODE SET-UP

1. Depress "SYSTEM" and "WARMER" buttons at once and release. "Sr" will display.
2. Depress "FAN" button. "ON" will display for Continuous fan. "oF" will display for fan cycling.

FAULT CODES AND DESCRIPTIONS (ALL DL3 UNITS)

Fault #	Fault Type	Description	Details
2	<i>THERMOSTAT SENSOR CODE</i> (read in STANDBY mode)	Room sensor fault	The display will show "Lo" for an open circuit in sensor or wire and will show "Hi" for a shorted circuit in sensor or wire. If code 2 occurs, the Service System Indicator will stay ON until power is cycled. NOTE: "Lo" will also display if the room temperature falls below 45°. "Hi" will also display if the room temperature is above 99°. The unit will function in HEAT or COOL if there is a thermostat demand.
11	<i>LIMIT SWITCH CODES</i> (read in Service/HEAT mode)	Limit open fault	High limit fault code is caused by dirty filter, restricted air flow, low room blower rpm. Blocked flue fault code is caused by low exhaust blower rpm, intake or exhaust restriction. The Service System Indicator will be on as long as the limit switch is open (in all modes). NOTE: Ignition will restart as soon as the limit closes.
12		Limit switch lockout	After 15 limit trips (during one thermostat controlled heat cycle), there is a 60 minute lockout. All unit functions stop during lockout and the Service System Indicator is activated. The heating cycle resumes after the lockout period expires and the limit trip counter is reset to zero. The limit trip count is set to zero each time the thermostat set point is satisfied.
13	<i>PRESSURE SWITCH CODES</i> (read in Service/HEAT mode)	Pressure switch fault - stuck closed: (switch contacts close without combustion blower operation)	After the room air blower runs for 15 seconds, a 20 minute lockout period begins. The code is registered and the Service System Indicator is activated. Ignition trial recurs after the lockout expires.
14		Pressure switch contacts "Open" lockout - failed to close	The pressure switch contact remain open on start-up of a HEAT cycle. The exhaust blower cycles 15 seconds ON and 15 seconds OFF. After 5 unsuccessful tries, a 20 minute lockout begins and code 14 is registered. The room air blower stops and the Service System Indicator is activated. Ignition trial recurs after the lockout expires.
15		Loss of pressure switch lockout	Pressure switch contact open during heating operation. After 5 trips of the pressure switch a 20 minute lockout begins, code 15 is registered and the Service System Indicator is activated. During the lockout period the exhaust and room air blowers shut OFF. Ignition trial recurs after the lockout expires.
16	<i>FLAME SENSOR CODES</i> (read in Service/HEAT mode)	Failed to ignite lockout	Absence of flame sense during trial for ignition, due to no gas flow, open circuit CO detector, glow bar failure, or flame probe failure or position. There is a 20 second post purge between tries for ignition. After three trials for ignition, fault code 16 is registered and the Service System Indicator is activated. A 60 minute lockout period starts. The exhaust and room air blowers shut off. Ignition trial recurs after the lockout expires.
17		Loss of flame lockout	During heating operation, loss of flame sense, due to gas flow interruption or flame probe failure. Five trips (during one thermostat controlled heat cycle) are required to initiate the code and lockout. A 60 minute lockout period starts. During the lockout period, the exhaust and room air blowers shut off. Ignition trial recurs after the lockout expires.
18		False flame fault	Flame probe senses flame in the absence of heating operation (monitored in all unit modes). The exhaust blower is activated and the room air blower will run on HIGH speed as long as false flame is indicated. The cooling function is suppressed.
19	<i>GAS VALVE CODE</i> (read code in Service/HEAT mode)	False gas valve fault	Indicates a presence of 24 volt power on the gas valve circuit when the unit is not in the heating mode (monitored in all unit modes). The exhaust blower is activated and the room air blower will run on HIGH speed as long a false gas valve is indicated. The cooling function is suppressed.
28	<i>POWER DOWN CODE</i> (read in Service/COOL mode)	Power down	Indicated that the power down terminals are energized with 24 VAC due to an emergency generator signal. Prevents (or stops) the compressor and condenser fan operation during emergency generator operation. The Service System Indicator is on during power down when cooling demand is present. The room air blower will run with cooling demand in the power down condition.

Dynaline 3

CLIMATISEUR AUTONOME

MODÈLES: DYNA09AC • DYNA12AC • DYNA16AC

MANUEL DE L'UTILISATEUR

INSTRUCTIONS D'INSTALLATION, UTILISATION ET ENTRETIEN

Cette brochure contient des instructions concernant l'installation et le fonctionnement de l'appareil. Conserver cette brochure en lieu sûr pour pouvoir facilement la consulter. Pour d'autres renseignements, contacter is concessionnaire.

Fabriqué par:

AirX Climate Solutions Brand

Dynaline

156 Seedling Drive.
Cordele, Georgia 31015
(229) 273-3636
www.DynalineHVAC.com



⚠ AVERTISSEMENT

Assurez-vous de bien suivre les instructions données dans cette notice pour réduire au minimum le risque d'incendie ou d'explosion ou pour éviter tout dommage matériel, toute blessure ou la mort.

Ne pas entreposer ni utiliser d'essence ni d'autres vapeurs ou liquides inflammables a proximité de cet appareil ou de tout autre appareil.

QUE FAIRE SI VOUS SENTEZ UNE ODEUR DE GAZ:

- Ne pas tenter d'allumer d'appareils.
- Ne touchez à aucun interrupteur. Ne pas vous servir des téléphones se trouvant dans le bâtiment où vous trouvez.
- Appelez immédiatement votre fournisseur de gaz depuis un voisin. Suivez les instructions du fournisseur.
- Si vous ne pouvez rejoindre le fournisseur de gaz, appelez le service des incendies.

L'installation et l'entretien doivent être assurés par un installateur ou un service d'entretien qualifié ou par le fournisseur de gaz.

Installateur: Laissez cette notice avec l'appareil.

Consommateur: Conservez cette notice pour consultation ultérieure.

⚠ AVERTISSEMENT

Toute déficience dans les opérations d'installation, réglage, modification, réparation ou entretien peut être la cause de dommages matériels ou corporels, voire d'un accident mortel. Consulter les instructions d'installation et/ou le manuel d'utilisation fournis avec cet appareil. Les opérations d'installation et de réparations doivent être exécutées par un installateur compétent ou le personnel d'un établissement de service ou du fournisseur de gaz.

AVANT-PROPOS

Vous venez d'acheter un climatiseur autonome Dynaline. Les modèles DYNA09AC, DYNA12AC et DYNA16AC sont ETL (Intertek) certifiés ANSI Z21.86-2016/CSA 2.32-2016 UL484-2014 de normalisation.

Pour simplifier l'installation et garantir que l'appareil fonctionnera en conformité avec les règles de sécurité généralement acceptées, il est impératif que l'installateur lise attentivement et comprenne la totalité des instructions (étape par étape) présentées dans ce manuel.

⚠ ATTENTION

A cause de la différence existant entre les écorces en vinyle pour maisons, cet appareil ne doit pas être installé sur du vinyle sans consultation préalable avec le fabricant d'écorce en vinyle pour maisons, ou alors coupez le vinyle et enlevez la partie autour du ventilateur de l'appareil.

REMARQUE: On doit respecter strictement toutes les instructions présentées dans ce manuel. Le non-respect des instructions d'installation, utilisation et entretien dégage Dynaline de toute responsabilité.

INSPECTION - DOMMAGES DURANT LE TRANSPORT

Cet appareil a été soigneusement emballé dans un conteneur qui satisfait les critères du "Test national de transport en sécurité". Ceci signifie que dans les circonstances normales, ce produit emballé résistera aux efforts auxquels il peut être exposé dans les conditions normales de manutention et de transport.

Inspecter l'appareil immédiatement après le déballage pour déterminer la présence d'éventuels dommages imputables au transport et aux manutentions. S'il y a des dommages, ne pas installer l'appareil. Aviser immédiatement le transporteur et soumettre une demande d'indemnisation.

Le fabricant n'assume aucune responsabilité au titre de dommages survenant au cours du transport ou imputables à une utilisation incorrecte de l'appareil

consécutives à des dommages survenus au cours du transport.

Pour référence, inscrire ci-dessous l'information descriptive de l'appareil.

NUMÉRO DE MODÈLE _____

NUMÉRO DE SÉRIE _____

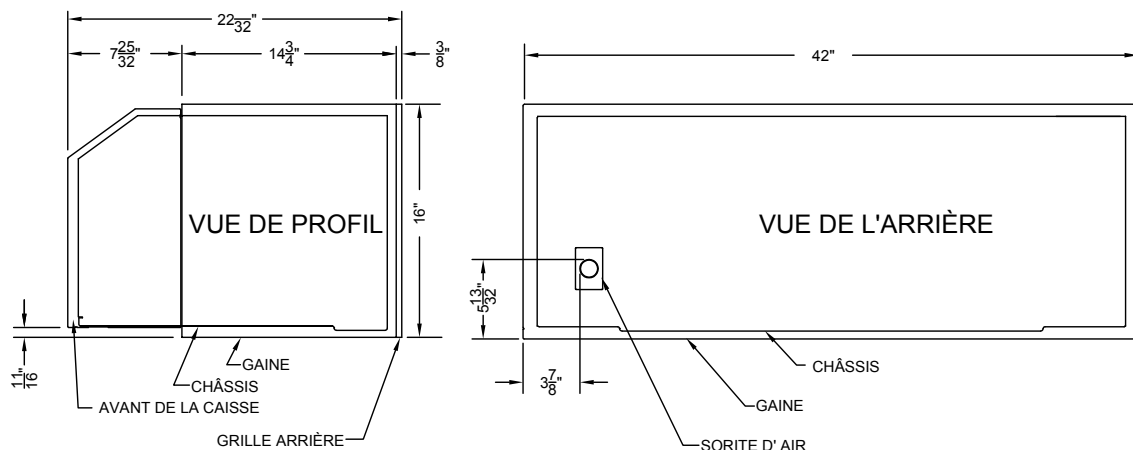
NUMÉRO DE STOCK _____

DATE D'ACHAT _____

SPÉCIFICATIONS DE L'APPAREIL

Ne pas faire fonctionner cet appareil pendant la période de construction; ceci peut être une violation des conditions de garantie.

CHAUFFAGE				REFROIDISSEMENT			
MODEL	DYNA09AC	DYNA12AC	DYNA16AC	MODEL	DYNA09AC	DYNA12AC	DYNA16AC
CAPACITÉ THERMIQUE -BTU	12,000	18,000	20,000	CAPACITÉ THERMIQUE (REFROIDISSEMENT)	9,500	11,500	15,000
TENSION - V	208/230	208/230	208/230	TENSION - V	208/230	208/230	208/230
AMPÈRESS	2.0	2.0	2.0	PUISSANCE - W	855/150	1125/150	1550/150
CANALISATION DE GAZ	3/8" IPS	3/8" IPS	3/8" IPS	CHARGE DE RÉFRIGÉRANT	VOIR L'ÉTIQUETTE D'INFORMATION SUR L'APPAREIL		
				RÉFRIGÉRANT	R410A		



DIMENSIONS HORS - TOUT DE L'APPAREIL

Figure 1

PLANIFICATION DE L'INSTALLATION

DÉGAGEMENTS DE SÉPARATION - VALEURS MINIMALES

On doit ménager un dégagement minimum à l'extérieur par rapport à la grille arrière, comme suit:

Entre l'arrière de l'appareil et la plus proche obstruction - 36 po	Entre le côté de l'appareil et la plus proche obstruction - 0 po
---	--

ATTENTION

Cet appareil ne doit pas être installé sur ou près des murs adjacents avec bardage en vinyle sans consultation préalable avec le fabricant du bardage ou en coupant la voie d'évitement hors de la zone autour de l'évacuation de l'appareil.

Entre le fond de l'appareil et une obstruction et/ou le sol - Cette dimension est déterminée par les conditions locales (climat et environnement). L'appareil doit être installé suffisamment haut au-dessus du sol pour que le panneau arrière ne puisse faire l'objet d'obstruction par neige, eau, feuilles, etc.

On doit ménager un dégagement minimum à l'intérieur par rapport à l'avant de la caisse, comme suit:

L'écoulement de l'air déchargé ne doit pas être entravé sur une distance d'au moins 12 po.

Entre le côté de la caisse et la plus proche obstruction - 1 po

Entre le sommet de l'appareil et le plafond - 12 po

Entre l'avant de la caisse et la plus proche obstruction - 12 po.
*L'obstruction doit être amovible pour l'entretien de l'appareil.

Sinon, un dégagement minimum de 36 po est nécessaire.

Entre le bas de la caisse à l'avant et la surface finale du plancher - 0 po

DÉGAGEMENTS DE SÉPARATION DES MATÉRIAUX COMBUSTIBLES - VALEURS MINIMALES

L'appareil est homologué pour un dégagement de séparation de 0 po au sommet, sur les côtés et au fond. Aucune valeur n'est prescrite pour l'avant et l'arrière car il ne peut y avoir de matériau combustible ou non combustible à l'avant et à l'arrière de l'appareil. Veiller à entretenir la propreté du brûleur et du compartiment du système de commande. Voir les instructions d'installation et d'utilisation qui accompagnent l'appareil.

TABLEAU 1

INTRODUCTION

AVERTISSEMENT

L'installation de cet appareil doit être exécutée en accordance avec les instructions écrites fournies dans le manuel. Aucun agent-représentant ou employé de Dynaliner ou autre personne, n'a l'autorité pour changer, modifier ou déroger le contenu des instructions fournies dans ce manuel.

Ce manuel permettra à l'installateur, au technicien d'entretien et à l'utilisateur de se familiariser avec les opérations d'installation, utilisation et entretien de l'appareil de chauffage/refroidissement.

L'appareil est conçu pour une épaisseur de paroi de 1 po (minimum) à 14,5 po (maximum). **REMARQUE:** L'épaisseur maximum du mur ne doit pas dépasser 12 5/8 po si la canalisation de gaz est raccordée par l'arrière. La gaine murale doit être installée conformément aux indications de la figure 5 ou 6; lorsque l'appareil est placé dans la gaine murale, l'air de ventilation est prélevé dans l'atmosphère extérieure.

Ne pas installer l'appareil dans une alcôve ou un encastrement.

Soumettre à Dynaliner toute configuration spéciale de chemise et grille, car ceci pourrait dégrader la performance de fonctionnement de l'appareil.

IMPORTANT: On doit installer la grille arrière avant l'installation du châssis, car la fixation est effectuée par l'intérieur de la chemise de garnissage du mur.

Aux U.S.A., l'appareil doit être installé en conformité avec les prescriptions des codes et règlements locaux. En l'absence de codes et règlements locaux, l'installation doit satisfaire les critères de la dernière édition des normes suivantes:

1. National Fuel Gas Code ANSI Z223.1/NFPA 5
2. National Electrical Code NFPA 70.

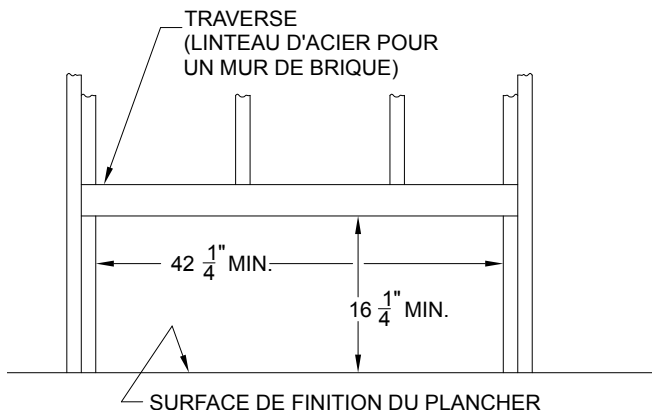
Au Canada, l'appareil doit être installé en conformité avec les prescriptions du code local. En l'absence de code local, l'installation doit satisfaire les critères du code d'installation CANI-B149.

1. Lors du choix de l'emplacement de la chemise de garnissage mural, on doit se souvenir que le châssis de l'appareil doit être en relation avec l'atmosphère extérieure. Par conséquent, la chemise doit être montée dans un mur extérieur de la pièce. Choisir l'emplacement en tenant compte du besoin de circulation de l'air déchargé dans la pièce. Généralement, l'emplacement qui permet la circulation la plus efficace est situé à mi-chemin le long du mur de la pièce que l'appareil doit desservir, et à distance d'une cage d'escalier ou d'autres ouvertures. Ne pas installer la chemise murale derrière une porte ou à un endroit tel que lorsqu'une porte est laissée ouverte, elle pourrait obstruer l'appareil installé dans la chemise.
2. Lors du choix l'emplacement d'installation, tenir compte des valeurs minimales des dégagements de séparation spécifiées au tableau 1. Ces dégagements permettent un accès adéquat pour l'entretien et le fonctionnement correct de l'appareil, et on doit par conséquent les respecter.
3. La chemise de garnissage mural peut être installée directement sur un plancher fini comme on le voit à la figure 2; cependant, on doit tenir compte de la position physique des canalisations de gaz et des circuits électriques. **REMARQUE:** Lors de l'installation sur un plancher, on devrait raccorder la canalisation de gaz par l'arrière. Pour l'obtention du meilleur résultat final, Dynaliner suggère que la chemise murale soit montée à au moins 3 1/2 po au-dessus de la surface finale du plancher comme on le voit à la figure 3. On dispose ainsi d'un espace suffisant pour le raccordement de la canalisation de gaz et de l'alimentation électrique par-dessous la chemise. On peut installer un panneau de plinthe accessoire (produit Dynaliner n° 520873) à l'avant de la caisse pour dissimuler ces raccordements. **REMARQUE:** Ce panneau de plinthe n'est pas porteur de charge.

4. Lors de l'installation sous une fenetre, l'installateur doit tenir compte du risque de perturbation de l'écoulement de l'air déchargé par des rideaux, et adopter les mesures appropriées pour éliminer ces perturbations.
5. Lors de l'installation de la chemise murale au cours des phases préliminaires de la construction, l'installateur doit tenir compte de la pose ultérieure de panneaux de gypse ou autres finitions intérieures sur le mur. (Voir figures 4 et 5).
6. Avant d'installer la chemise murale, on doit définir le processus d'évacuation du condensat qui s'y accumulera. Deux méthodes sont disponibles:
 - a. Écoulement libre (extérieur) - Il s'agit d'une méthode généralement acceptable; le condensat s'écoule de la chemise de garnissage du mur par trois trous d'évacuation à l'extérieur, et s'égoutte sur le sol à l'extérieur (voir figure 6). La conception du ventilateur du condenseur lui permet de provoquer l'évaporation d'une quantité normale de condensat sur l'échangeur de chaleur du condenseur.
 - b. Ensembles de drainage - On recommande l'emploi d'un ensemble de drainage pour produire un drainage positif lorsque ceci est spécifié ou exigé par un code, ou lorsqu'il y aura beaucoup de condensat du fait d'une humidité extrême pendant une période prolongée. L'ensemble de drainage peut être installé à l'extérieur sur la bride arrière de la gaine murale, ou sous la gaine murale à l'extérieur du bâtiment (voir la figure 7). Le condensat peut ainsi facilement s'écouler jusqu'au sol ou être acheminé par un tube jusqu'au point désiré. Les ensembles de drainage sont conçus pour l'emploi de tubes de cuivre de ϕ ext. 1/2 po.

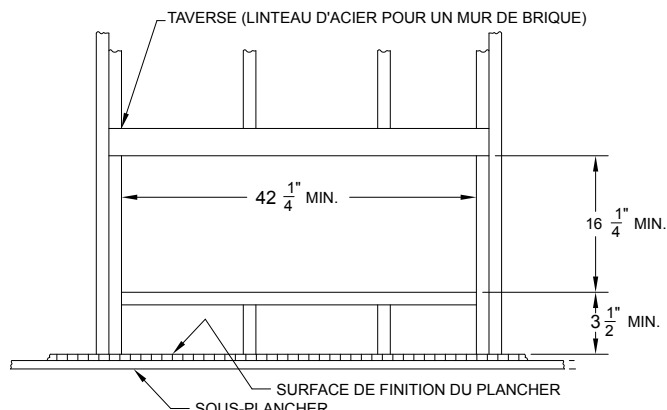
REMARQUE: Le fonctionnement normal de l'appareil peut ne pas provoquer l'évacuation totale d'un excès d'eau de pluie qui pénétrerait dans l'appareil par la grille extérieure. Une quantité excessive d'eau de pluie s'écoulera par les trous de drainage à relief qu'on trouve à l'arrière de la chemise murale.

7. Après avoir choisi l'emplacement d'installation de la chemise de garnissage, inspecter le mur et le plancher pour vérifier l'absence de fils électriques dissimulés, canalisation de propane ou autre gaz ou liquide inflammable, conduit, solive ou poteau de charpente susceptibles d'entraver l'installation correcte ou le fonctionnement en sécurité de l'appareil, ou l'installation correcte des canalisations d'arrivée de gaz et du câble d'alimentation électrique.
8. Le panneau avant de la caisse est expédié avec le châssis. Pour garantir la sécurité et la qualité du montage, on fixe les brides latérales du châssis à la chemise murale depuis l'intérieur de la pièce.



DIMENSIONS DE L'ENCADREMENT POUR LA GAINÉ MURALE POUR APPAREILS AVEC CONNEXION DE GAZ À L'ARRIÈRE

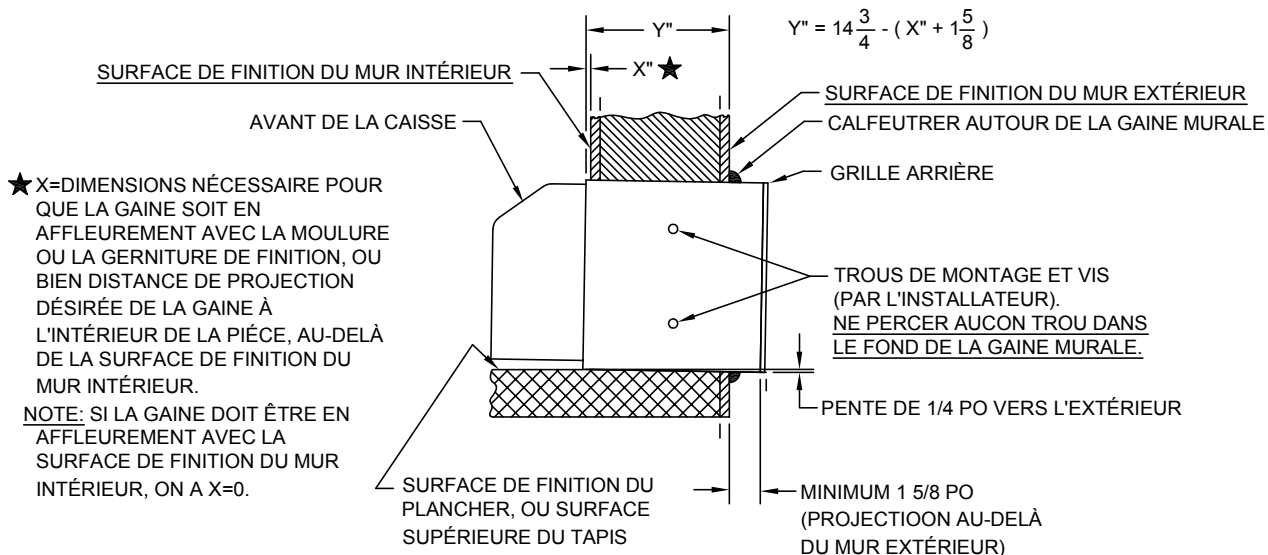
Figure 2



DIMENSIONS DE L'ENCADREMENT POUR LA GAINÉ MURALE POUR APPAREILS AVEC CONNEXION DE GAZ À L'AVANT

Figure 3

NOTE: L'APPAREIL EST HOMOLOGUÉ POUR L'INSTALLATION AVEC DISTANCE DE SÉPARATION NULLE ENTRE LES MATIÈRES COMBUSTIBLES ET LE SOMMET, LES CÔTÉS ET LE FOND. EN CE QUI CONCERNE LES FACES AVANT ET ARRIÈRE, IL NE DOIT Y AVOIR AUCUN MATÉRIAU COMBUSTIBLE OU NON-COMBUSTIBLE À L'AVANT OU À L'ARRIÈRE DE L'OUVERTURE.

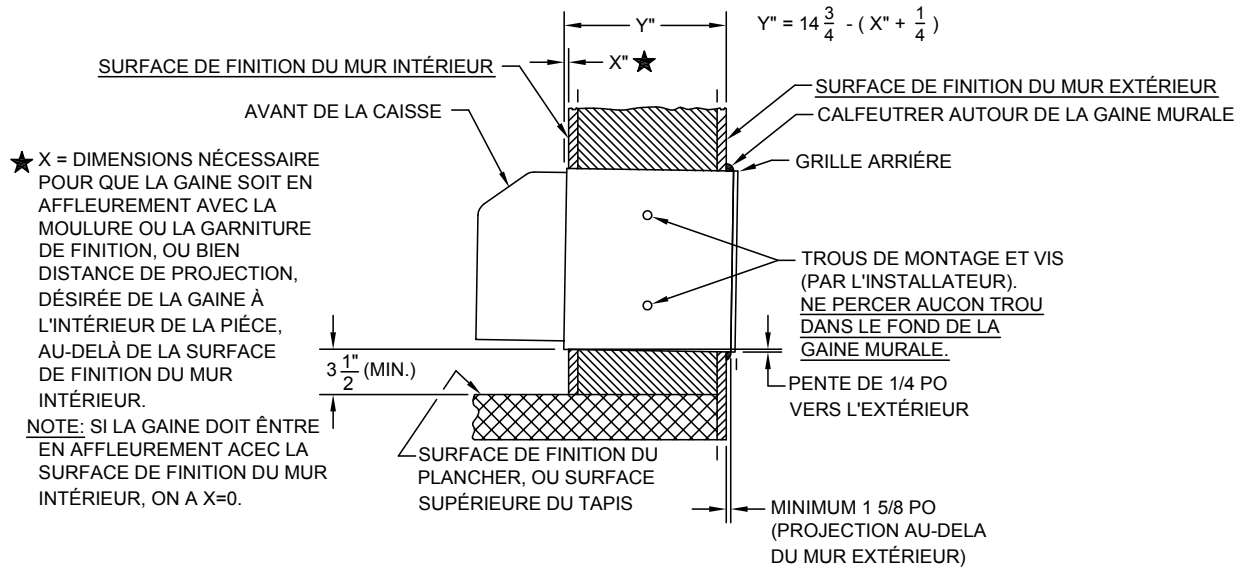


★ X=DIMENSIONS NÉCESSAIRE POUR QUE LA GAINÉ SOIT EN AFFLEUREMENT AVEC LA MOULURE OU LA GERNITURE DE FINITION, OU BIEN DISTANCE DE PROJECTION DÉSIRÉE DE LA GAINÉ À L'INTÉRIEUR DE LA PIÈCE, AU-DELÀ DE LA SURFACE DE FINITION DU MUR INTÉRIEUR.

NOTE: SI LA GAINÉ DOIT ÊTRE EN AFFLEUREMENT AVEC LA SURFACE DE FINITION DU MUR INTÉRIEUR, ON A X=0.

INSTALLATION MURALE-RACCORDEMENT PAR L'ARRIÈRE À LA CANALISATION DE GAZ

Figure 4



INSTALLATION MURALE-RACCORDEMENT PAR L'AVANT À LA CANALISATION DE GAZ
Figure 5

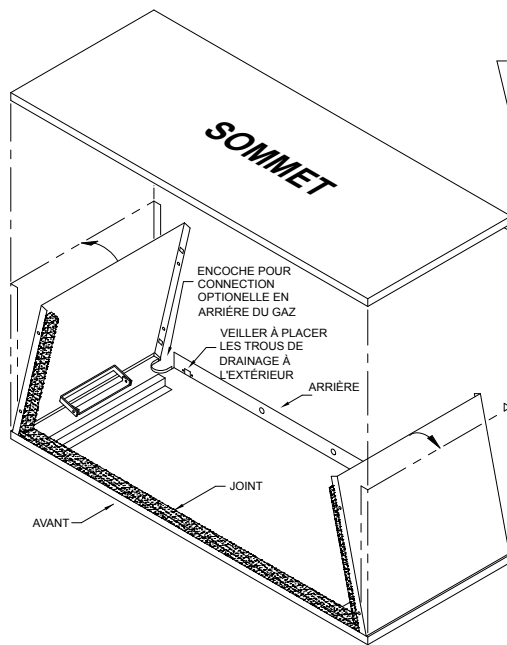


Figure 6

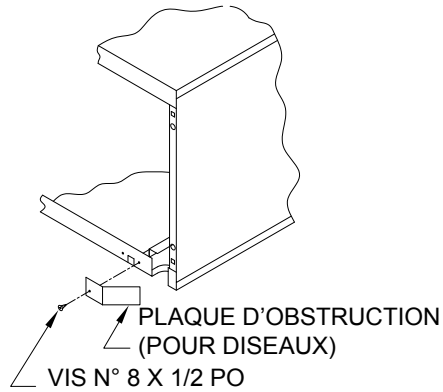
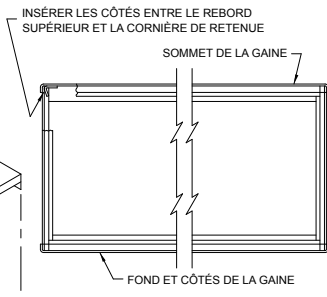


Figure 6A

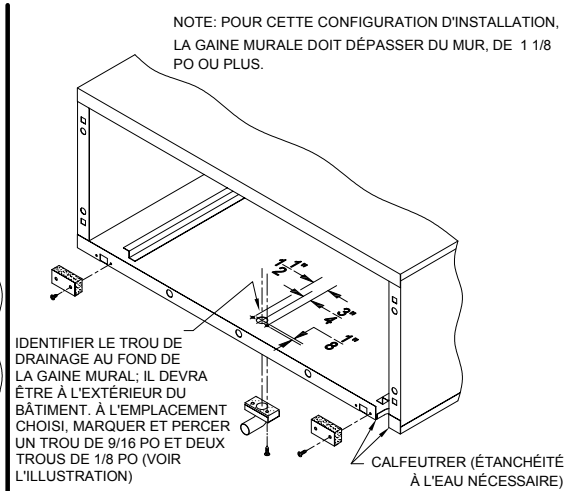
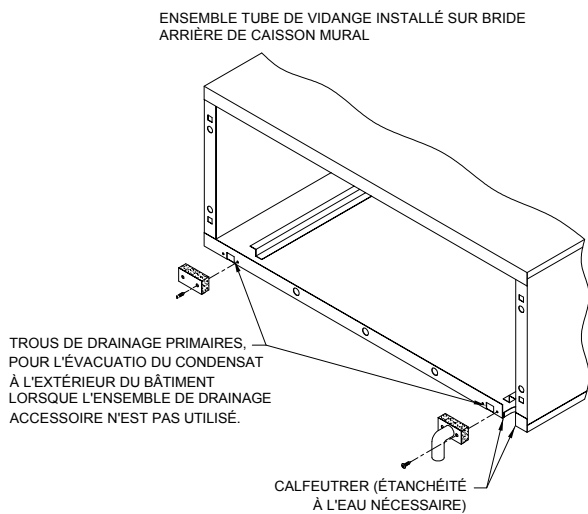


Figure 7
5

INSTALLATION

Pour éviter toute détérioration au cours de l'installation de l'appareil, on suggère de déposer le panneau de façade de la caisse et le filtre à air avant d'entreprendre l'installation.

1. Découper une ouverture dans le mur extérieur, et réaliser un encadrement adapté à l'ouverture minimale conformément aux illustrations de la figure 2 ou 3. Pour les distances de séparation minimales, voir le tableau 1. Employer les méthodes de construction conventionnelles pour réaliser l'encadrement de l'ouverture. **Ne pas utiliser la chemise de garnissage comme linteau.** L'encadrement réalisé doit permettre l'inclinaison de la chemise murale vers l'extérieur comme ceci est indiqué aux figures 4 et 5 pour que l'eau de condensation puisse s'écouler. **Ne pas installer la chemise de garnissage horizontalement ou inclinée vers la pièce.**
2. Déployer les côtés de la chemise murale et assembler le sommet; veiller à l'engagement des côtés entre la bride supérieure au sommet et la cornière de retenue; voir la figure 4. Fixez aux coins du haut avec les vis fournies. Si on n'utilise pas l'ouverture prévue à l'arrière de la gaine pour le raccordement à la canalisation de gaz par l'arrière, on peut l'obturer avec la pièce de protection fournie avec la gaine (prévention de l'entrée des oiseaux - voir la figure 6A).
3. Installer la chemise de garnissage dans l'encadrement de l'ouverture murale; veiller à placer les trois trous de drainage à l'extérieur. Projection minimale de la chemise murale dans la pièce : affleurement avec la surface du mur fini ou de la moulure, selon dimension "x" aux figures 4 et 5.

⚠ MISE EN GARDE

Veiller à ce que la chemise murale dépasse suffisamment dans la pièce pour permettre la pose correcte au cours de la construction des poteaux du colombage, de l'isolation et des panneaux de gypse ou de la finition murale.

Ne pas installer la chemise murale en affleurement avec la surface finale du mur extérieur.

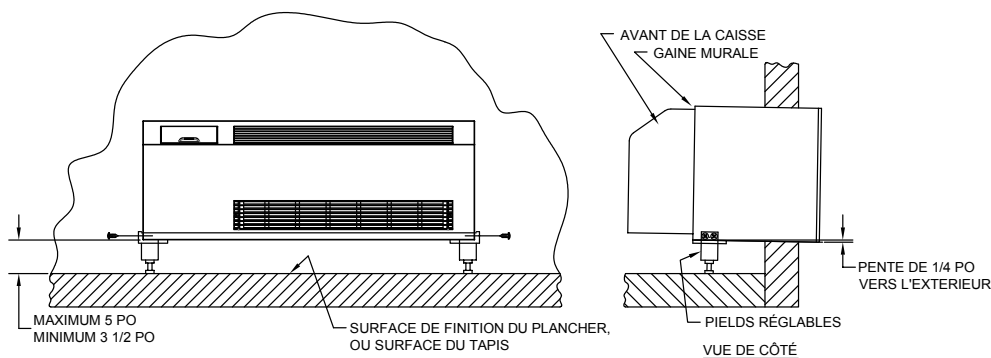
Si la chemise murale est installée en contact avec le plancher ou à moins de 3 1/2 po du plancher, il faut qu'elle dépasse d'au moins 1 5/8 po au-delà de la surface finale du mur extérieur (voir figure 4). Ceci permettra le raccordement par l'arrière à la canalisation de gaz. Si la chemise murale est installée à 3 1/2 po ou plus au-dessus du plancher, il faut qu'elle dépasse d'au moins 1/4 po au-delà de la surface finale du mur extérieur (voir figure 5).

NOTE: Pour une installation avec gaine murale et dépassement dans la pièce de 4 po ou plus, on doit utiliser l'ensemble N° 520600 pour l'establishment de l'aplomb, ou un autre moyen de support de la gaine murale (voir la figure 8). Si dans une telle installation la gaine murale n'est pas soutenue, la pente de la gaine murale peut être incorrecte (inclinaison de 1/4 po vers l'arrière nécessaire - voir l'étape 4 ci-dessous) ce qui pourrait permettre l'écoulement de condensat à l'intérieur de la pièce.

Pour l'installation dans une fenêtre ou dans un mur de type rideau/panneau de 2 po, on suggère l'installation sur place d'au moins deux supports sous la chemise murale, puisqu'on ne peut fixer le fond de la chemise murale au mur avec des vis.

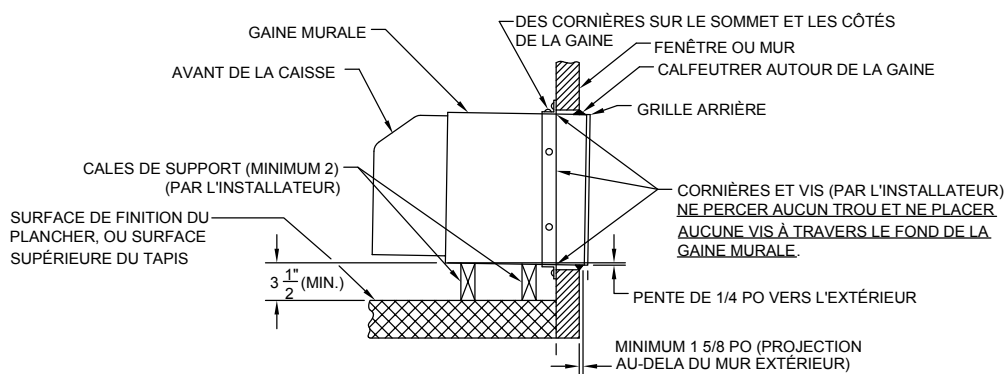
Utiliser les cornières murales fournies de 1 po x 1 po x 0,065/0,055 au sommet, sur les côtés et au fond de la chemise murale (voir figure 9).

1. INSTALLER L'APPAREIL DANS LE MUR, CONFORMÉMENT AUX INSTRUCTIONS DU MANUEL D'INSTALLATION.
2. POSITIONNER LES PIEDS RÉGLABLES - UN DE CHAQUE CÔTÉ DE LA GAINÉ MURALE, CHOISIR L'EMPLACEMENT DES QUATRE (4) TROUS DE MONTAGE.
3. PERCER QUATRE TROUS DE 1/8 PO, FIXER LES PIEDS RÉGLABLES AVEC LES VIS N° 10 X 1/2 PO FOURNIES.
4. RÉGLER LA POSITION DES VIS DES PIEDS AJUSTER L'APLOMB DE L'APPAREIL.



INSTALLATION DES PIEDS RÉGLABLES

Figure 8



INSTALLATION DANS FENÊTRE, MUR-RIDEAU OU PANNEAU MURAL

Figure 9

⚠ MISE EN GARDE

Ne pas percer de trous dans le fond de la chemise murale. La cornière du fond est utilisée pour le support seulement, et on doit la fixer au mur.

4. Fixer la chemise de garnissage mural au mur selon les indications de la figure 4 ou 5. Veiller à ce que la chemise murale soit d'aplomb (parallèle au sol, transversalement) et inclinée de 1/4 po dans la direction avant/arrière. **Ne pas percer de trous dans la paroi inférieure de la chemise murale; l'eau ferait subir des dommages au mur et au plancher.**
5. Calfeutrer autour de la chemise murale (entre la chemise murale et le mur du bâtiment) pour former une jointure étanche contre la pluie et la neige. **Utiliser uniquement un produit de calfeutrage résistant aux intempéries (voir figures 4 ou 5).**
6. Sceller les jointures entre le mur intérieur fini et la chemise murale pour minimiser les pertes thermiques autour de la chemise murale. On peut calfeutrer ces jointures ou bien installer autour de la chemise murale une garniture ou moulure de matériau approprié. **IMPORTANT: On doit installer la grille arrière avant d'installer le châssis, car elle doit être fixée depuis l'intérieur de la chemise murale.**
7. Insérer l'appareil dans la chemise murale; fixer l'appareil à la chemise murale à l'aide de quatre vis fournis N° 10 x 1/2 po.
8. Raccorder les circuits de gaz et d'électricité. Voir à la figure 10 la position des points de raccordement de la canalisation de gaz et du circuit électrique, lorsque l'appareil est installé dans la gaine murale.

NOTE: Cet appareil a été configuré à l'usine pour l'alimentation sous 230 V. Pour l'alimentation sous 208 V, on doit placer à la position «208 V» le commutateur de sélection situé derrière le panneau de façade (voir la figure 18).

NOTE: La tension d'alimentation d'un modèle 230 V peut occasionnellement chuter. Si la tension d'alimentation s'abaisse à 208 V ou moins, on devrait placer le commutateur de sélection à la position «208 V».
9. Le fonctionnement de l'appareil est commandé par un thermostat incorporé. La température est indiquée par un afficheur numérique du tableau avant. Pour la commande par un thermostat distant, raccorder le câblage du thermostat au bloc de connexion sur la carte de circuits du module. Placer le commutateur de configuration n° 1 du thermostat à la position « on ». (Voir figure 11.)

Pour réinitialiser les contrôles, éteignez puis rallumez-le.

REMARQUE: Raccordement thermostat à distance remplace le thermostat intégré et vous n'obtiendrez pas une lecture numérique sur le panneau de commande. Il n'est pas nécessaire de débrancher le thermostat intégré à l'expédition de l'usine.
10. Réinstaller le filtre à air.
11. La grille de sortie d'air peut être installée dans une des deux positions. L'appareil est livré pour flux d'air horizontal. Si le flux d'air vertical est désiré, retirer la grille et réinstaller en position de remplacement. Voir figure ci-dessous. (Voir figure 12.)
12. Réinstallez avant de l'armoire. N'utilisez pas l'appareil avant de l'armoire avec supprimés.

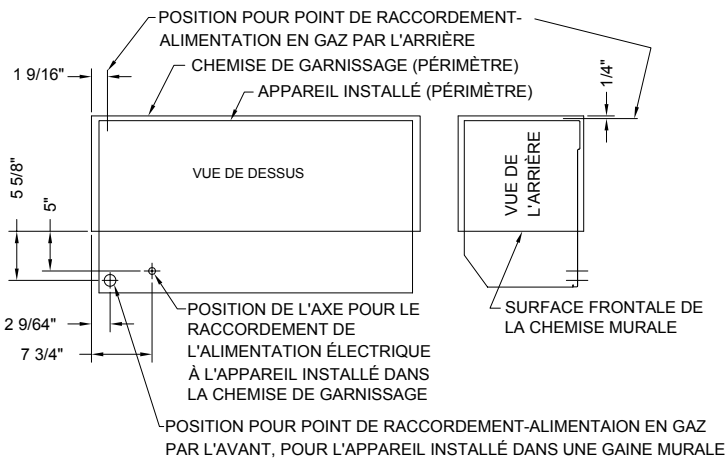
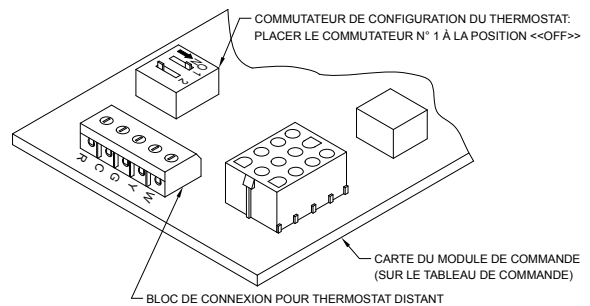


Figure 10



NOTE: A LA BASE, PRÈS DE LA BOÎTE DÉRIVATION SE TROUVE UN TROU DE 5/8 POUCHE POUR INTRODUIRE LE FIL DU THERMOSTAT ÉLOIGNÉ DE L'APPAREIL. LE JOINT D'ÉTANCHEÏTE POUR LE DÉVERSEMENT MESURANT 5/8 POUCHE FOURNI DANS L'ENVELOPPE ACCOMPAGNANT L'APPAREIL DOIT ÊTRE UTILISÉ POUR ASSURER LE FILETAGE CORRECT DU THERMOSTAT.

Figure 12

LES MODIFICATIONS DE LA MANCHON MURAL SONT LES RESPONSABILITÉ DE L'INSTALLATEUR
 LES RECOMMANDATIONS DE FABRICATION NE PEUVENT PAS ÊTRE SUFFISANT
 L'INSTALLATEUR EST RESPONSABLE DE PRENDRE DES MESURES POUR ASSURER L'INSTALLATION CONTRE LES FUITES

- ÉTAPE 1 PERCER UN TROU .812 PAR DESSIN
- ÉTAPE 2 INSTALLATION DU MANCHON MURAL
- ÉTAPE 3 AJOUTER LE KIT DE CONNEXION DE GAZ ARRIÈRE À L'UNITÉ
- ÉTAPE 4 FIXER LA CONDUITE DE GAZ À L'UNITÉ
- ÉTAPE 5 CALIBRE AUTOUR DE LA CONDUITE DE GAZ ENTRANT DANS LE MUR MANCHON POUR ÉVITER LES FUITES D'EAU FROM AUTOUR DU TUYAU
- ÉTAPE 6 INSTALLATION DU GRIL

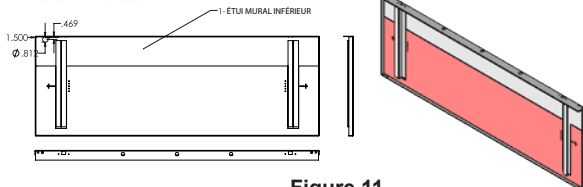


Figure 11

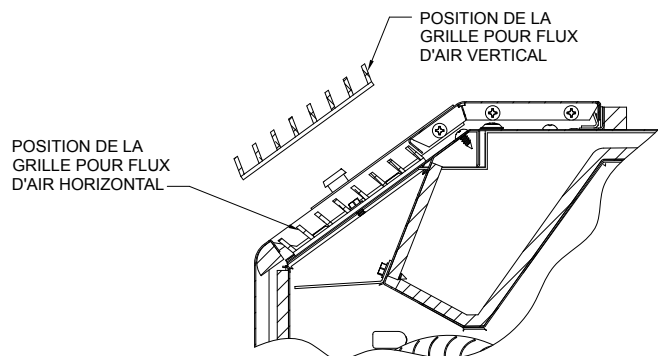


Figure 13

RACCORDEMENTS À LA CANALISATION DE GAZ

Un raccord de 3/8 po NPT pour canalisation de gaz est installé sur l'appareil à l'usine. Calculer la taille de la tuyauterie selon le type de gaz et la longueur de la canalisation. Le Tableau 2 fournit une indication assez précise du diamètre de la canalisation à utiliser. Les débits cités dans la table sont exprimés en pi^3 par heure. Pour convertir la capacité thermique (BTU) en pieds cubes, diviser la charge totale (BTU) par la capacité calorifique (BTU) du gaz utilisé. Les données de la table sont utilisables pour le gaz naturel seulement. Si l'appareil est alimenté par du propane, multiplier par 0,633 pour convertir. On doit également tenir compte de la chute de pression suscitée par les autres appareils à gaz desservis par une section quelconque de la canalisation qui alimente cet appareil. Si la canalisation d'alimentation de l'appareil est elle-même raccordée à une canalisation existante qui alimente un autre appareil, dans le calcul de la chute de pression avec la table, on doit tenir compte de la demande de l'autre appareil.

MISE EN GARDE

Dynaline déconseille l'emploi d'une canalisation flexible pour l'alimentation de l'appareil, sauf s'il s'agit d'un tube flexible de haute qualité en matériau inoxydable, homologué par AGA et dont l'emploi est approuvé par le code local.

PRESSION MINIMUM DU GAZ POUR LE RÉGLAGE AU POINT D'ALIMENTATION:

	Minimum	Maximum
Gaz naturel	5 po W.C.*	7 po W.C.
Propane	11 po W.C.	13 po W.C.
*(EAU = colonne d'eau)		

PRESSION DE SERVICE

Chaque appareil conçu pour l'alimentation au gaz naturel est équipé d'une vanne avec détendeur incorporé réglé pour une pression de 3,5 po (colonne d'eau). Chaque appareil conçu pour l'alimentation au propane liquéfié est équipé d'une vanne avec détendeur incorporé réglé pour une pression de 10,5 po (colonne d'eau). Ne pas ajuster la vis de réglage sur la vanne; ceci pourrait susciter une alimentation excessive du brûleur.

On recommande qu'un robinet d'arrêt manuel soit installé dans la canalisation de gaz qui alimente l'appareil. On recommande l'installation qu'un raccord droit soit installé entre l'appareil et ce robinet d'arrêt.

Il convient également d'installer un piège à condensat dans la canalisation d'arrivée de gaz, aussi près que possible de l'appareil.

Afin qu'il soit possible de contrôler la pression du gaz au point d'alimentation de l'appareil, Dynaline conseille l'installation d'un raccord de connexion 1/8 po NPT pour un manomètre de test, immédiatement en amont du point de raccordement de l'appareil à la canalisation de gaz.

Lors de tout test de pressurisation exécuté sur le système à une pression supérieure à 1/2 lb/po2 rel. (3,5 kPa), il faut que l'appareil et sa vanne d'arrêt soit déconnectés de la canalisation de gaz. Isoler l'appareil de la canalisation d'arrivée de gaz en fermant le robinet d'arrêt manuel avant tout test de pressurisation de la canalisation d'arrivée de gaz à une pression égale ou inférieure à 1/2 lb/po2 rel. (3,5 kPa).

AVERTISSEMENT

Sur toutes les connexions des tuyauteries de gaz, on doit appliquer un composé d'étanchéité des filetages résistant à l'action du gaz naturel et du propane liquide.

Tester toutes les connexions de la canalisation de gaz avec une solution d'eau et savon pour vérifier l'absence de fuite.

AVERTISSEMENT

Ne pas utiliser une flamme nue pour rechercher les fuites.

RACCORDEMENTS AU RÉSEAU ÉLECTRIQUE (208 - 230 volts)

Si le code local le permet, utiliser le cordon d'alimentation fourni avec l'appareil. Ce cordon d'alimentation est ajouté à l'usine pour les tests au cours de la production. Si le code local ne permet pas l'emploi d'un cordon d'alimentation, on doit l'enlever et raccorder l'appareil au réseau électrique au niveau de la boîte de connexion.

Tout le câblage externe doit être conforme aux prescriptions du code local et du code national des installations électriques.

On recommande que l'appareil soit alimenté par un circuit électrique permanent et indépendant. Le circuit d'alimentation doit être protégé par des disjoncteurs HACR ou fusibles jumelés (15 A).

Aux U.S.A., l'appareil installé doit être électriquement relié à la terre conformément aux prescriptions du code local, ou en l'absence de code local, aux prescriptions de la dernière édition du National Electrical Code ANSI/NFPA No. 70. L'appareil ne peut fonctionner correctement que s'il est adéquatement relié à la terre. Si l'installation de l'appareil met en oeuvre la tuyauterie de gaz ou tout matériau autre que des tuyauteries métalliques, exécuter les opérations adéquates pour garantir que l'appareil soit correctement relié à la terre.

Au Canada, le câblage électrique et la liaison à la terre de l'appareil doivent être conformes aux prescriptions du code local, ou en l'absence de code local, aux prescriptions de la version en vigueur du Code canadien des installations électriques (CSA C22-1).

CONNEXION 24 VCA POUR SITUATION D'URGENCE (BLOCAGE DU COMPRESSEUR)

Deux broches de connexion mâles de 1/4 po identifiées PWR DOWN sont présentes sur la carte du module. Si on applique une tension de 24 VCA sur ces broches, on désactive les ventilateurs du compresseur et du condenseur. Durant une période de cuisson, le ventilateur intérieur fonctionnera, et le témoin «service system/Entretien nécessaire sera illuminé.

1. Enlever l'afficheur; conserver les 5 vis pour réutilisation. (Voir la Figure 13)
2. Acheminer le câblage depuis une source externe de 24 VCA, à travers le passe-fil qui se trouve à la base de l'appareil.
3. Installer une cosse femelle isolée de ¼ po à l'extrémité de 2 conducteurs.
4. Connecter les conducteurs sur les broches PWR DOWN de la carte du module. (Voir le schéma de câblage.)
5. Réinstaller l'afficheur.

INSTRUCTIONS D'UTILISATION

A. MODE DE CHAUFFAGE - Allumage initial (voir figure 13)

Remarque: Lors du premier allumage de cet appareil de chauffage, la combustion de résidus de peinture et d'huile provenant du processus de fabrication peut provoquer l'émission de fumée pendant 5 à 10 minutes.

NOTE: Si le système de décharge d'air (option) est installé sur l'appareil, il est préférable de faire fonctionner le ventilateur à la vitesse maximale. (Sélectionner la vitesse maxi/high)

1. Ouvrir le robinet d'arrêt manuel. Le robinet est complètement ouvert lorsque la manette est parallèle à la canalisation de gaz. Ne jamais tenter de faire fonctionner l'appareil lorsque le robinet d'arrêt manuel est partiellement fermé.
2. Appuyer sur la touche « System » du clavier jusqu'à ce que le témoin «heat/chauffage» soit illuminé.
3. Appuyer sur la touche « Fan/ventilateur » jusqu'à ce que le témoin correspondant à la vitesse désirée soit illuminé.
4. Régler le thermostat pour la température de maintien désirée - appuyer sur les touches fléchées pour obtenir l'affichage de la température désirée.
5. Si le circuit du thermostat est fermé pour le réglage sélectionné à l'étape 4, le processus d'allumage débute.
6. Après l'allumage, le fonctionnement de l'appareil est contrôlé automatiquement par le thermostat.

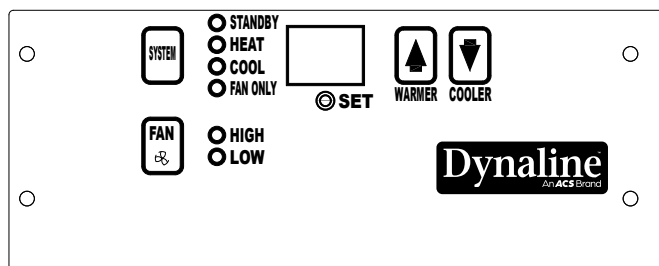


Figure 14

ARRÊT DE L'APPAREIL POUR UNE PÉRIODE PROLONGÉE

1. Appuyer sur la touche «System» du clavier jusqu'à ce que le témoin «Stand by /attente» soit illuminé.
2. Fermer le robinet d'arrêt manuel.

PROTECTION CONTRE LE GEL

Cet appareil a une protection contre le gel activée quand il fonctionne à partir des commandes internes. Elle peut être désactivée en suivant ces instructions :

1. Appuyez simultanément sur les boutons "SYSTEM" et "WARMER", puis relâchez-les. "Sr" va s'afficher.
2. Appuyez simultanément sur les boutons "WARMER", "COOLER" et "FAN". "nF" va s'afficher quand la protection contre le gel est désactivée et "FP" va s'afficher quand la protection contre le gel est activée.

REMARQUE: La protection contre le gel interne n'est pas active quand un thermostat mural à distance est utilisé. Choisissez un thermostat externe comportant une protection contre le gel si vous voulez prendre cette précaution dans cette configuration.

PROCESSUS DE FONCTIONNEMENT NORMAL – CHAUFFAGE

1. Le thermostat se ferme pour manifester une demande de chaleur; ceci provoque la mise en marche du moteur d'admission d'air de combustion.
2. Lorsque le ventilateur atteint environ 90 % de son régime normal, la pression générée par le moteur d'admission d'air de combustion provoque le déplacement du diaphragme dans le manocontacteur, et la fermeture des contacts. Ceci ferme le circuit électrique à l'entrée de la carte de circuits du module et provoque le déclenchement d'une période de réchauffage de 10 secondes pour l'élément d'allumage Glo-bar. Durant la période de réchauffage, l'élément glo-bar est alimenté pendant 7 secondes et la vanne d'admission de gaz s'ouvre pour une période de 6 secondes. Le gaz parvient alors au brûleur et est enflammé au contact de l'élément glo-bar.
3. Si la présence d'une flamme est détectée sur le brûleur principal, le brûleur continue à fonctionner jusqu'à ce que la température sélectionnée sur le thermostat soit établie dans la pièce. Si la présence d'une flamme n'est pas détectée, la vanne d'admission de gaz se ferme et le processus d'allumage peut être répété automatiquement deux fois. Si une flamme adéquate ne s'établit pas sur le brûleur durant cette période d'essai d'allumage, l'appareil est automatiquement désarmé pour une période d'une heure; il se réarme ensuite automatiquement.

NOTE: En cas de désarmement automatique du système selon la description ci-dessus, il est possible de réarmer manuellement l'appareil : il suffit d'interrompre et rétablir l'alimentation électrique. Lors de la restauration de l'alimentation électrique, il est possible de répéter le processus d'allumage. En cas de désarmements répétitifs selon la description ci-dessus, cesser de tenter de faire fonctionner l'appareil et contacter un dépanneur.

4. Après la vérification de l'allumage (détection d'une flamme sur le brûleur) un contacteur se ferme dans le circuit d'alimentation du ventilateur, et le ventilateur se met en marche.

- Lorsque la température sélectionnée par le thermostat s'est établie dans la pièce, la vanne d'admission de gaz se ferme. Le moteur d'admission d'air de combustion continue à fonctionner pendant une période de 20 secondes, puis s'arrête. Le ventilateur de circulation de l'air continue à fonctionner pendant environ 90 secondes avant de s'arrêter (ouverture d'un contacteur dans le circuit d'alimentation).

NOTE : Si le fonctionnement de l'appareil est contrôlé par un thermostat mural, le processus d'allumage est identique à ce qu'il est lors du contrôle par le thermostat incorporé; cependant on sélectionne la température de maintien et les fonctions du système au niveau du thermostat mural. On sélectionne la vitesse du ventilateur de circulation de la même manière que lors de la commande par le thermostat incorporé.

B. MODE DE REFROIDISSEMENT - Fonctionnement normal (voir figure 13)

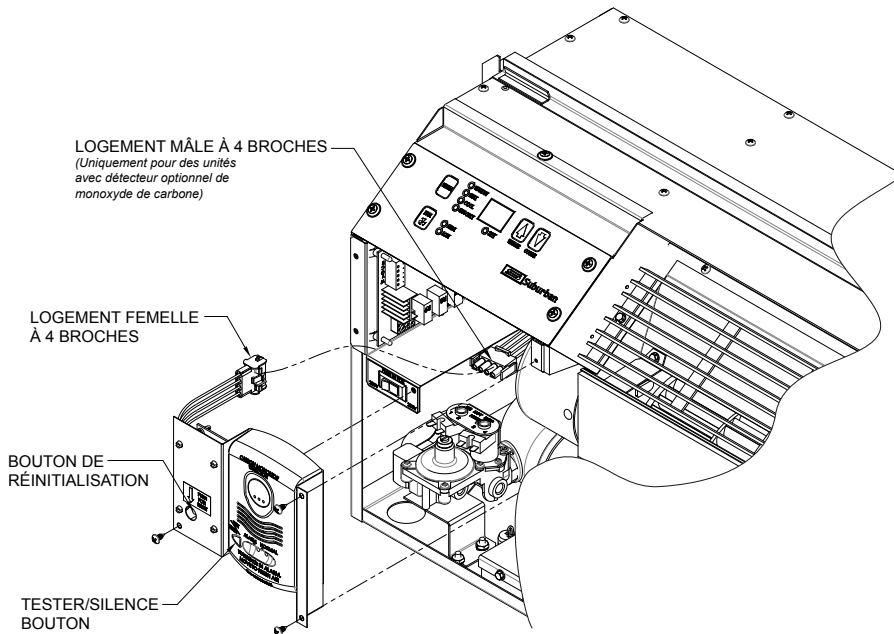
- Appuyer sur la touche «System» du clavier jusqu'à ce que le témoin «refroidissement» soit illuminé.
- Appuyer sur la touche «Fan/ventilateur» jusqu'à ce que le témoin correspondant à la vitesse désirée soit illuminé.
- Régler le thermostat pour la température de maintien désirée - appuyer sur les touches fléchées pour obtenir l'affichage de la température désirée.
- Si le circuit du thermostat est fermé pour le réglage sélectionné à l'étape 3, le processus de refroidissement débute. **NOTE**: Lors de la mise en marche initiale, le compresseur n'est pas alimenté pendant une période de cinq (5) minutes, même si les fonctions du système ont été convenablement sélectionnées.

Lorsque la température extérieure est inférieure à 65°F et que l'hygrométrie est élevée, du givre peut se former sur le serpentin de l'évaporateur pendant une période de refroidissement prolongée. Pour éliminer la formation de givre, un commutateur de dégivrage dans le circuit du compresseur détecte la présence de givre et commande l'ouverture du circuit du compresseur. Après l'augmentation de la température, le commutateur se ferme et le compresseur se met de nouveau en marche si le thermostat manifeste encore une demande de refroidissement.

NOTE : Une période d'attente de 5 minutes est incorporée entre les périodes de fonctionnement du compresseur. Après chaque interruption du fonctionnement du compresseur, sur commande manuelle ou sur commande du thermostat, ou par interruption de l'alimentation, etc., une période d'attente de 5 minutes doit s'écouler avant la remise en marche du compresseur.

C. MONOXYDE DE CARBONE (CO) (Voir Figure 14)

Cet appareil Dynaline peut être équipé d'un détecteur de monoxyde de carbone (CO) intégré (capteur pour système modèle C01224T). Pour accéder au détecteur de CO supprimer le front de DL. Le détecteur de CO se trouve sur le côté gauche de l'appareil et se compose d'un détecteur et la carte d'alimentation. Voir la figure 14 Le système connecté détecteur de monoxyde de carbone connu sous le nom CO1224T a été testé par un laboratoire de test reconnu au niveau national et a été vérifié pour effectuer la détection de monoxyde de carbone jusqu'à 12 000 pieds d'altitude. Au cours de ce test par le laboratoire de test reconnu national du détecteur alarmé dans le délai prévu par la norme ANSI / UL 2034 pour les concentrations de monoxyde de carbone de 70, 150 et 400 parties par million (ppm).



CO DETECTEUR DE MODES DE FONCTIONNEMENT

MODE DE FONCTIONNEMENT	LED VERTE	LED ROUGE	SOUNDER
Normal (Attente)	Clignoter 1 par minute	ARRET	ARRET
Alarme	ARRET	Temp 4 motif	Temp 4 motif
Test d'alarm	ARRET	Temp 4 motif	Temp 4 motif
Fin de Vie	ARRET	ARRET	ARRET
Problème CO	ARRET	Clignoter 1 par minute	ARRET
Perte de puissance / Défaut Cellulaire	ARRET	ARRET	ARRET

DÉTECTEUR OPTIONNEL DE MONOXYDE DE CARBONE

Figure 15

Test d'alarme:

Will envoyer un signal d'alarme au panneau.

Bouton Hush / Silence alarme:

L'alarme sonore peut être désactivée pendant 5 minutes en appuyant sur le bouton "Test / Silence". Le voyant d'alarme rouge continue de clignoter en température 4 schéma. Si le monoxyde de carbone est encore présent après la période silence de 5 minutes, l'alarme sonore retentit. La fonction silence ne fonctionne pas à des niveaux supérieurs à 350 ppm de monoxyde de carbone.

Caractéristique Trouble:

Lorsque la surveillance de la sonde est dans un état de trouble (tel que par exemple un capteur qui a été altéré, ou la cellule elle-même a prématurément séché en raison de conditions environnementales, etc), le détecteur enverra un signal de panne à l' panneau. Le détecteur doit alors être remplacé. Le voyant vert s'éteint et le voyant rouge clignote à chaque minute lorsque le détecteur est en difficulté.

Fin de vie Fonction minuterie:

Lorsque le détecteur a atteint la fin de sa vie, le contact de la difficulté s'ouvre. Ceci indique que le capteur de CO à l'intérieur du détecteur a dépassé l'extrémité de sa durée de vie et doit être remplacé. La durée de vie de ce détecteur est d'environ six ans à compter de la date de fabrication. Le voyant vert s'allume lorsque le détecteur est en difficulté. Contrôler régulièrement le "Remplacer par" autocollant situé sous le couvercle du détecteur. Le détecteur doit être remplacé à cette date. Demander le remplacement de nombre CO Détecteur Kit de l'installateur du PTAC ou le concessionnaire de vente.

MISE EN GARDE

Les particules de poussière dans l'air peuvent pénétrer dans le détecteur. Dynaline recommande l'installation d'unités Dynaline avec System Sensor détecteurs de monoxyde de carbone après la construction ou toute autre activité produisant de la poussière. .

ESSAI

Détecteur doit être essayé après son installation. Testez le détecteur comme suit:

1. Un bouton de test est située sur le boîtier du détecteur (voir Figure 14).
2. Utilisez le bout de votre doigt pour appuyer et maintenir le bouton de test.
3. Si les bips de sondeur et les LED s'allument après 1-4 secondes, le détecteur est opérationnel.

Si le détecteur échoue la méthode d'essai ci-dessus, son câblage doit être vérifié. Si le détecteur ne fonctionne toujours pas après recâblage, il doit être remplacé.

RÉINITIALISATION DU DÉTECTEUR DE CO:

Cette unité Dynaline avec détecteur de CO intégrée est équipé d'un bouton de réarmement manuel situé à la plaque immédiatement à la gauche du détecteur de CO. Le bouton de réarmement manuel est identifié par une étiquette sur la plaque. Lorsque le bouton / silence de test du détecteur de CO est enfoncé, le détecteur audible alarme, la LED verte s'éteint et la LED rouge clignote. Puissance de la soupape de gaz de DL est interrompue et la vanne de gaz se ferme. Après l'essai requis du détecteur de CO, il sera nécessaire d'appuyer sur le bouton manuel de réinitialisation pour réinitialiser le détecteur de CO et de permettre à l'unité de DL à rouvrir le circuit de la vanne de gaz.

Si le détecteur de CO passer en mode alarme due à la détection de CO le pouvoir de la vanne de gaz sera interrompu et la vanne de gaz se ferme. Ne négligez pas l'alarme et l'arrêt. Passer immédiatement à un endroit où l'air frais est disponible, de préférence à l'extérieur. Trouver un téléphone dans un endroit où l'air est sûr et appelez votre gestionnaire d'immeuble et leur demander d'avoir l'unité de Dynaline et / ou d'autres appareils à combustion dans l'habitation vérifier le bon fonctionnement. Ne pas revenir à une chambre ou d'un logement où le détecteur de CO continue d'alarme. Lorsque la cause de l'alarme est déterminée et corrigée, il sera nécessaire d'appuyer sur le bouton manuel de réinitialisation pour réinitialiser le détecteur de CO et de permettre à l'unité de DL à rouvrir le circuit de la vanne de gaz.

QUE FAIRE SI LE DÉTECTEUR DE MONOXYDE DE CARBONE EST EN ALARME:

L'activation de l'alarme se traduira par la fermeture de votre unité Dynaline. Ne négligez pas l'alarme et l'arrêt. Passer immédiatement à un endroit où l'air frais est disponible, de préférence à l'extérieur. Trouver un téléphone dans un endroit où l'air est sûr et appelez votre gestionnaire d'immeuble et leur demander d'avoir l'unité de Dynaline et / ou d'autres appareils à combustion dans l'habitation vérifier le bon fonctionnement. Ne pas revenir à une chambre ou d'un logement où le détecteur de monoxyde de carbone continue à alarme.

DÉTECTEUR DE REMPLACEMENT

AVERTISSEMENT

Coupez l'alimentation avant de remplacer le détecteur de CO.

CO détecteur est fabriqué avec un capteur de monoxyde de carbone longue durée de vie. Au fil du temps le capteur perdra sensibilité, et devra être remplacé par un nouveau détecteur de monoxyde de carbone System Sensor. La durée de vie de ce détecteur est d'environ six ans à compter de la date de fabrication. Vérifiez régulièrement la date de remplacement du détecteur. Aide d'un petit tournevis plat, appuyez sur le petit onglet situé sur la face inférieure du détecteur. Une fois que la pression est relâchée, soulever l'extrémité inférieure de la couverture et déséquilibrer le haut pour retirer le couvercle. Avec le couvercle enlevé référer à l'étiquette placée à l'intérieur du détecteur. L'autocollant indique la date à laquelle le détecteur doit être remplacé. Ce détecteur est également équipé d'une fonction qui ouvrira le relais de la difficulté une fois qu'il a atteint la fin de sa vie utile. Si cela se produit, il est temps de remplacer le détecteur.

MISE EN GARDE

Ce détecteur de monoxyde de carbone est conçu pour une utilisation en intérieur. Ne pas exposer à la pluie ou à l'humidité. Ne pas heurter ni laisser tomber le détecteur. Ne pas ouvrir ou manipuler le détecteur, car cela pourrait provoquer un dysfonctionnement. Le détecteur ne protège pas contre le risque d'intoxication au monoxyde de carbone si elle n'est pas correctement câblé. Le détecteur indique uniquement la présence de monoxyde de carbone au niveau du capteur. Du monoxyde de carbone peut être présent dans d'autres régions.

Ce détecteur de monoxyde de carbone ne soit pas:

- Conçu pour détecter la fumée, un incendie ou tout autre gaz que le monoxyde de carbone
- Pour être considéré comme un substitut pour le bon entretien de l'appareil de chauffage à combustible ou le ramonage des cheminées
- Pour être utilisé sur une base intermittente, ou comme une alarme portable pour le déversement des produits de combustion des appareils à combustion ou des cheminées.

Le monoxyde de carbone est un gaz hautement toxique qui est libéré lors de la combustion sont brûlés. Il est invisible, n'a pas d'odeur et est donc impossible à détecter par les sens humains. Dans des conditions normales dans une pièce où la combustion des combustibles appareils sont bien entretenus et correctement ventilés, la quantité de monoxyde de carbone libérée dans la pièce par les appareils ne doit pas être dangereux.

LIMITATIONS DE MONOXYDE DE CARBONE (CO) DETECTEURS

Le fabricant recommande que le monoxyde de carbone (CO) détecteurs sont répartis sur l'ensemble d'un lieu protégé suivant les recommandations de l'édition actuelle de la National Fire Protection standard Association 720, National Fire Alarm Code (NFPA 720), les recommandations du fabricant et les codes nationaux et locaux. Tandis que les détecteurs de monoxyde de carbone sont conçus pour fournir un avertissement contre le monoxyde de carbone, ils ne garantissent pas un avertissement ou une protection contre le monoxyde de carbone. Tout système d'alarme avec détecteurs de monoxyde de carbone est sujet à compromis ou l'omission d'avertir pour une variété de raisons. Par exemple:

- Des molécules de monoxyde de carbone peuvent ne pas atteindre les chambres de détection du détecteur de monoxyde de carbone, parce que:
- Les obstacles tels que des portes fermées ou partiellement fermées, des murs ou cheminées peuvent empêcher l'écoulement.
- Les molécules de monoxyde de carbone peut être soufflé à partir de détecteurs de sorties d'air.

En général, des détecteurs de monoxyde de carbone sur un niveau d'une structure ne peut pas s'attendre à détecter le monoxyde de carbone se développant sur un autre niveau.

- La quantité de monoxyde de carbone présente peut être insuffisante pour des détecteurs de monoxyde de carbone alarme. Détecteurs de monoxyde de carbone sont conçus pour sonner à différents niveaux de densité de monoxyde de carbone, ou ppm (parties par million). Si ces niveaux de ppm ne sont pas créés par le développement de l'oxyde de carbone à l'emplacement des détecteurs, les détecteurs ne sont pas en état d'alarme.
- Les détecteurs de monoxyde de carbone sont soumis à de fausses alarmes et les alarmes intempestives. Par exemple, un détecteur de monoxyde de carbone situé trop près d'un appareil de chauffage à combustible peut aller en alarme intempestive pendant le fonctionnement normal de l'appareil. Si l'emplacement d'un détecteur de monoxyde de carbone provoque une abondance de fausses alarmes ou les alarmes intempestives, ne débranchez pas le détecteur de monoxyde de carbone; appel à un professionnel pour analyser la situation et de recommander une solution.
- Les dispositifs d'avertissement (y compris les cornes, les sirènes, les cloches et les sirènes sur les détecteurs de monoxyde de carbone) ne peut alerter les gens ou réveiller qui se trouvent de l'autre côté de portes fermées ou partiellement ouvertes. Un dispositif d'alerte qui s'active sur un étage ou niveau différent d'un logement ou la structure est moins susceptible d'éveiller ou avertir les personnes. Même les personnes éveillées peuvent ne pas remarquer l'alarme si celui-ci est couvert par le bruit d'une chaîne hi-fi, radio, climatiseur ou d'un autre appareil, ou par la circulation automobile. Dispositifs d'avertissement audibles peuvent pas alerter les malentendants (flashes ou autres appareils doivent être prévu pour avertir ces personnes). Tout dispositif d'avertissement risque de ne pas alerter les personnes ayant une déficience, des dormeurs profonds, les personnes qui ont récemment consommé de l'alcool ou de la drogue, ou des personnes sur des médicaments ou des somnifères.

S'il vous plaît noter que:

- i) Le flash se déclenche peut, dans certaines circonstances, provoquer des crises chez les personnes avec des conditions telles que l'épilepsie.
- ii) des détecteurs de monoxyde de carbone peuvent être installés dans le cadre d'un système d'alarme incendie. Des études ont montré que certaines personnes, même quand ils entendent un signal d'alarme d'incendie, ne répondent pas ou comprennent le sens du signal. Il est de la responsabilité du propriétaire du bien de procéder à des exercices d'incendie et d'autres exercices de formation pour sensibiliser les gens de signaux d'alarme d'incendie et de charger sur la réaction appropriée aux signaux d'alarme.
- iii) Dans de rares cas, le son d'un dispositif d'avertissement peut entraîner une perte auditive temporaire ou permanente.
 - Les lignes téléphoniques nécessaires à la transmission des signaux d'alarme d'un établissement au poste central peuvent être hors service ou temporairement hors service. Pour une protection supplémentaire contre les pannes de la ligne téléphonique, les systèmes de transmission radio de sauvegarde sont recommandés.
 - Les composants du système, bien que conçu pour durer de nombreuses années, peuvent échouer à tout moment. Par mesure de précaution, il est recommandé que les détecteurs de monoxyde de carbone être vérifiés, entretenus et remplacés par les recommandations du fabricant.
 - Les composants du système ne fonctionnent pas sans alimentation électrique. Si les batteries du système ne sont pas réparés ou changés régulièrement, ils ne peuvent pas fournir de sauvegarde de la batterie quand une panne de courant.
 - Environnements avec une vitesse d'air élevée ou qui sont sales ou poussiéreux nécessitent un entretien plus fréquent.

En général, les systèmes d'alarme incendie avec des détecteurs de monoxyde de carbone ne fonctionne pas sans électricité et ne fonctionneront pas correctement si elles sont maintenues et testés régulièrement.

D. CONSEILS POUR L'UTILISATION - MODES DE CHAUFFAGE ET DE REFROIDISSEMENT

1. Il est parfois désirable de réduire le niveau de bruit de l'appareil en fonctionnement. Pour cela, sélectionner la position Refroidissement minimum. Pour ce réglage, la capacité de refroidissement n'est pas réduite; on ne réduit ainsi que la vitesse du ventilateur et le mouvement de l'air.
2. Il est également possible de faire fonctionner le ventilateur de circulation d'air, en l'absence de chauffage ou de refroidissement. Pour faire fonctionner seulement le ventilateur, appuyer sur la touche « System » du clavier pour obtenir l'illumination du témoin « Fan Only/Ventilateur seulement ». Appuyer sur la touche « Fan/Ventilateur » du clavier pour obtenir l'illumination du témoin correspondant à la vitesse désirée.

ORGANES DE COMMANDE ET LEURS FONCTIONS

Commutateur de limite - La fonction de ce contacteur de détection de limite est d'interrompre l'arrivée de gaz au brûleur principal si pour une raison quelconque une température supérieure à la limite de sécurité s'établit dans la section de chauffage. Des manoeuvres cycliques du contacteur n'indiquent pas toujours qu'il est défectueux. Si la circulation de l'air est entravée totalement ou partiellement, le contacteur de détection de limite manoeuvre et provoque l'extinction du brûleur principal. Des manoeuvres cycliques du contacteur de détection ne sont pas toujours indésirables - si ceci survient occasionnellement; c'est un indice de la sécurité du fonctionnement, et il est probable que ceci survient par une journée chaude. Si ces manoeuvres cycliques surviennent trop souvent ou pendant une période prolongée, on devrait nettoyer parfaitement le système de circulation de l'air (voir "Entretien et nettoyage").

Si pour une raison quelconque le contacteur de détection de limite est défectueux, on doit le remplacer. Aucune méthode de réparation n'est recommandée. Du fait de l'importance du contacteur de détection de limite, pour des raisons de sécurité, on ne doit jamais circonvier son action avec un shunt - même pour une opération temporaire.

Manocommutateur - La fonction du manocommutateur est de détecter la pression d'air générée par le ventilateur de l'air de combustion. Lorsque la pression est suffisante pour l'entretien de la combustion, le contacteur du commutateur se ferme; ceci provoque la fermeture d'un circuit à l'entrée de la carte modulaire, et le processus d'allumage débute. Si pour une raison quelconque la pression est insuffisante pour l'entretien de la combustion, le commutateur ne manoeuvrera pas. Raison d'une pression insuffisante: 1) rotation trop lente du moteur de l'air de combustion, 2) obstruction à l'entrée, et 3) connexion défectueuse du tube du contacteur manométrique, ou obstruction du tube du contacteur manométrique.

Entrée d'air frais - La fonction de la prise d'air frais est de permettre l'introduction d'air extérieur dans l'espace de séjour. La manette de commande est située dans l'angle inférieur gauche avant de l'appareil. Pour accéder à la manette de commande, on doit faire pivoter l'avant de la caisse vers l'avant (voir figure 15).

NOTE: Le fonctionnement de l'appareil au mode de chauffage ou de refroidissement est moins efficace lorsque l'entrée d'air frais est ouverte.

Protection contre les surcharges - L'appareil est doté d'un dispositif de protection contre les surcharges électriques, qui commande l'arrêt du compresseur en cas de surcharge électrique. En cas de surcharges répétitives, contacter le commerçant qui a vendu l'appareil ou un établissement spécialisé en réparation des équipements de climatisation.

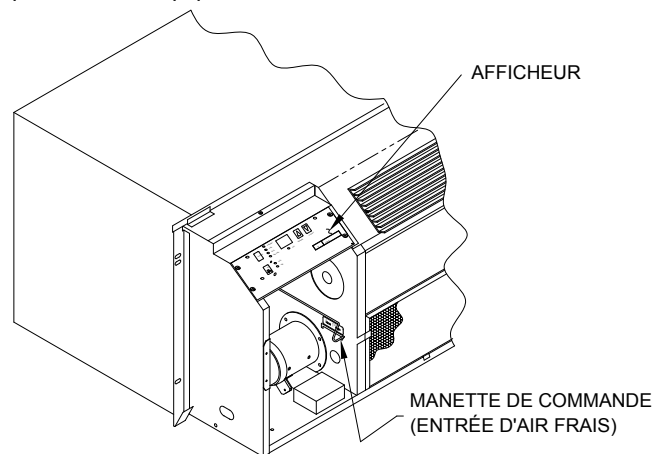


Figure 16

DÉPOSE DE L'APPAREIL POUR L'ENTRETIEN

1. Fermer l'arrivée de gaz à l'appareil.
2. Interrompre l'alimentation électrique au niveau de la boîte de fusibles (câblage permanent). Déconnecter le câblage dans la boîte de connexion de l'appareil. Si un cordon d'alimentation est utilisé, débrancher celui-ci de la prise de courant.
3. Déconnecter la canalisation d'arrivée de gaz de l'appareil.
4. Déconnecter les conducteurs du thermostat sur la carte du module de commande, si l'appareil est configuré pour l'utilisation d'un thermostat distant.
5. Retirer l'appareil de la chemise murale.
6. Pour réinstaller, exécuter ces opérations dans l'ordre inverse.
7. Tester toutes les connexions de la canalisation de gaz avec une solution d'eau et savon pour vérifier l'absence de fuite. S'il y a des fuites de gaz, faire immédiatement les réparations nécessaires. Ne pas utiliser une flamme nue pour rechercher les fuites.

ENTRETIEN PRÉVENTIF

AVERTISSEMENT

Si l'utilisateur de cet appareil néglige de le maintenir dans les conditions dans lesquelles il avait été expédié de l'usine ou si l'appareil est utilisé intentionnellement dans un but autre que celui pour lequel il a été conçu, ou si l'appareil n'est pas maintenu en état selon les instructions contenues dans ce manuel; Conséquemment, le risque d'incendie et/ou de production d'oxyde de carbone se fera, ce qui peut causer des blessures personnelles, dommages de propriété ou la perte de vie.

IMPORTANT: Après des travaux d'entretien, vérifier toujours que l'appareil fonctionne correctement.

⚠ AVERTISSEMENT

Déconnecter toujours l'alimentation électrique avant de nettoyer l'appareil ou d'effectuer des travaux d'entretien.

Un technicien d'entretien qualifié devrait inspecter l'appareil chaque année avant la mise en marche du système de chauffage pour l'hiver. Accorder une attention particulière aux points suivants.

1. Inspecter tous les joints. S'il y a des indices de fuites ou de détérioration au niveau de certains joints, on doit les remplacer. La sécurité de fonctionnement de l'appareil dépend de l'étanchéité de tous les joints.
2. Inspecter la chambre de combustion et le système d'admission d'air pour vérifier que ces composants sont en bon état physique, sans trou ou corrosion excessive. En cas de défectuosité, remplacer les composants affectés.
3. Inspecter les canalisations d'admission d'air et décharge; rechercher les restrictions et vérifier la qualité des jointures entre les composants (voir Dégagements de séparation - Valeurs minimales).

⚠ AVERTISSEMENT

Il est impératif que les produits de la combustion soient convenablement rejetés dans l'atmosphère extérieure et que tout l'air de combustion qui alimente le brûleur provienne de l'atmosphère extérieure.

4. Inspecter la grille extérieure pour vérifier qu'elle est propre et exempte de toute obstruction.
5. Inspecter le compartiment des organes de commande, les brûleurs et les passages de circulation de l'air dans l'appareil. On doit veiller à la propreté de tous ces endroits. REMARQUE: Il peut être nécessaire de nettoyer plus fréquemment s'il y a une accumulation excessive de peluches provenant des tapis, articles de literie, etc.
6. Contrôler le fonctionnement adéquat du brûleur. Une flamme adéquate comporte un cône interne bleu de forme bien définie, et un cône externe orange, avec une pointe légèrement jaune. Une flamme de teinte jaune et de forme erratique correspond à une déficience de l'admission d'air. Arrêter l'appareil et faire inspecter et nettoyer les passages d'entrée d'air et le brûleur. On peut nettoyer les surfaces du brûleur et chaque orifice du brûleur – utiliser une petite brosse métallique, ou un jet d'air comprimé. (La figure 16 présente la configuration d'une flamme correcte et d'une flamme incorrecte.)
7. Rechercher les fuites sur toutes les connexions et tous les organes de commande de la canalisation de gaz (électrovanne, robinet d'arrêt manuel, détendeur, etc.)
8. Cette inspection doit inclure un contrôle complet du fonctionnement de l'appareil, ceci incluant tous les composants électriques et mécaniques.

REMARQUE: Si le panneau de façade de la caisse a été déposé avant l'inspection de l'appareil et des organes de commande, on doit le réinstaller avant de faire fonctionner l'appareil.

Le propriétaire/utilisateur devrait inspecter l'appareil périodiquement au cours de la saison de chauffage. Accorder une attention particulière aux points suivants:

- A. Observer périodiquement la flamme du brûleur principal pour vérifier la présence d'une zone conique bleue bien définie sur l'orifice du brûleur (voir figure 16). Si la forme de la flamme n'est pas bien définie ou si elle a une teinte jaune, arrêter l'appareil et contacter un technicien qualifié.
- B. Inspecter périodiquement la bouche d'admission d'air pour identifier la présence d'obstructions ou de suie. De la suie se forme chaque fois que la combustion est incomplète. Ceci constitue un indice visuel d'une déficience de la sécurité de fonctionnement de l'appareil. S'il y a de la suie, arrêter immédiatement l'appareil et contacter le concessionnaire ou un technicien d'entretien qualifié.
- C. La circulation de l'air à travers la grille frontale ne doit pas être entravée. Veiller à maintenir la propreté du filtre pour garantir une circulation adéquate de l'air.

On devrait nettoyer ou remplacer plusieurs fois par an le filtre lavable amovible. La fréquence des nettoyages dépend de l'intensité d'utilisation et de l'emplacement d'installation de l'appareil. Les filtres sales restreignent le débit d'air sur l'échangeur de chaleur et sur les serpentins. Lorsque cela se produit, le refroidissement est inadéquat et la durée de vie de l'échangeur de chaleur, des moteurs et du compresseur est réduite.

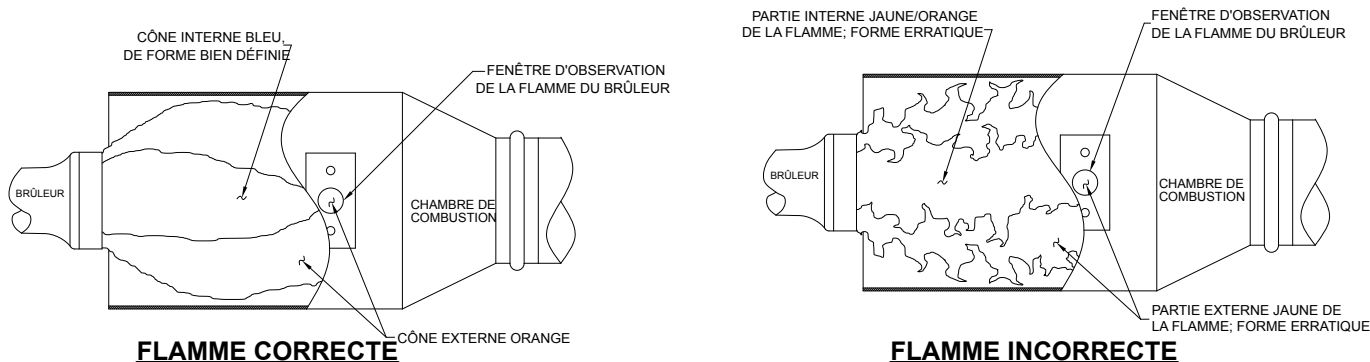


Figure 17

RETRAIT DU FILTRE

1. Le filtre est situé derrière la face avant du boîtier. Retirer avant de l'armoire en le soulevant. Faites glisser le filtre jusqu'à libérer la patte gauche.

2. Le filtre peut être lavé dans une eau savonneuse et rincé à l'eau propre. Laisser le filtre sécher avant de le réinstaller dans l'appareil.
3. Réinstaller le filtre. **REMARQUE : NE JAMAIS UTILISER L'APPAREIL SANS FILTRE.** Le serpentin d'évaporation ou le plateau de drainage pourraient comporter des restrictions.
4. Réinstaller l'avant du coffret.

NETTOYAGE DU SERPENTIN DE CONDENSATION

Remarque : Le travail doit être fait par un technicien de service qualifié.

Remarque : Utiliser un produit de nettoyage des serpentins recommandé par l'un des fabricants des produits suivants : Nu Calgon, Rector Seal

Remarque : L'alimentation en gaz et en électricité de l'appareil doit être en position « OFF ».

1. Retirer l'avant du coffret. Retirer les quatre (4) vis des panneaux de gauche et de droite; mettre les panneaux de côté pour les réinstaller.
2. Retirer l'appareil de son manchon mural.
3. Lorsque le dispositif est retiré, passer à un espace ouvert.
4. Pour nettoyer le serpentin de condensation, retirer les vis suivantes:
 - a) Retirer les quatre (4) vis des supports du bâti du condenseur (voir A à la figure 17) Mettre les supports de côté pour les réinstaller.
 - b) Retirer le couvercle du serpentin de condensation – deux (2) vis additionnelles. (Voir B à la figure 17) Conserver le couvercle pour le réinstaller.
5. Le moteur doit être couvert pendant le nettoyage.
6. Il faut suivre les instructions des fabricants lors de l'utilisation et de l'élimination de leurs produits.
7. Appliquer la solution de nettoyage sur le serpentin en appliquant des gouttes du produit de nettoyage sur le dessus du serpentin jusqu'à ce que la solution sorte par le drain.
8. Le serpentin peut alors être nettoyé à l'aide d'un tuyau d'arrosage en le lavant par l'arrière jusqu'à ce que toute la saleté soit sortie par les barbacanes du châssis. Incliner l'appareil vers l'arrière afin que l'eau sorte par l'arrière. Laisser l'appareil sécher à l'air libre.
9. Réinstaller le couvercle du serpentin de condensation et les supports.
10. Réinstaller l'appareil dans son manchon mural.
11. Réinstaller l'avant du coffret.

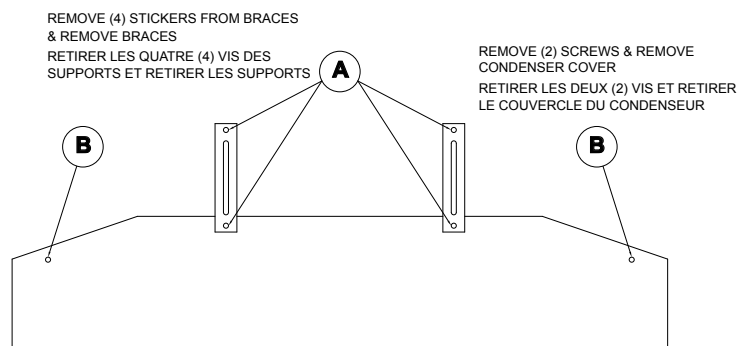


Figure 18

REMARQUE: Lorsque l'appareil est réinstallé, vérifier s'il y a des fuites de gaz et s'assurer du bon fonctionnement de l'appareil en mode de chauffage et de climatisation.

On présente ci-dessous plusieurs instructions relatives à la sécurité, qu'il convient d'observer au cours de la saison de chauffage pour garantir le fonctionnement en sécurité de l'appareil.

1. Ne jamais faire fonctionner l'appareil si une odeur de gaz est perceptible. On ne doit jamais supposer qu'une odeur de gaz est normale. Chaque fois qu'une odeur de gaz est perceptible, on doit la considérer comme une menace pour la vie et en rechercher immédiatement la cause (voir l'avis de sécurité sur la couverture de ce manuel).
2. En cas de fonctionnement erratique ou de retard à l'allumage, arrêter immédiatement l'appareil et contacter un établissement de service.

AVERTISSEMENT

S'il y a un échauffement excessif, ou s'il n'est pas possible d'arrêter le débit de gaz, fermer le robinet d'arrêt manuel avant d'interrompre l'alimentation électrique.

3. Ne pas entraver l'arrivée d'air de combustion ou la circulation de l'air chaud au voisinage de l'appareil. Ceci pourrait susciter des dommages corporels ou même un accident mortel.
4. Entretenir la propreté de l'appareil. Il peut être nécessaire de nettoyer fréquemment s'il y a une accumulation excessive de peluches provenant des tapis, matériaux de literie, etc. Il est impératif que les organes de commande, le brûleur et les passages de circulation de l'air de l'appareil soient maintenus propres.
5. Maintenir le voisinage de l'appareil exempt de tout matériau combustible, essence et autre produit liquide ou gazeux inflammable.
6. Ne pas utiliser cet appareil si un composant quelconque a été immergé. Contacter immédiatement un technicien d'entretien qualifié qui devra inspecter l'appareil et remplacer tout composant du système de commande et tout organe de contrôle du débit de gaz qui aurait été immergé.
7. Respecter toujours strictement les étapes des instructions d'utilisation.
8. Ne jamais tenter de réparer des pièces endommagées; on doit toujours les faire remplacer par le personnel qualifié d'un établissement de service.
9. Ne jamais tenter de réparer l'appareil. Confier toutes les réparations au personnel qualifié d'un établissement de service.
10. Le moteur du ventilateur de circulation, le moteur du condenseur, et le moteur d'admission d'air de combustion sont des moteurs exempts d'entretien aucune lubrification n'est nécessaire.

Dynaline 3 Identification du modèle

Exemple	D	Y	N	A	0	9	A	C	A	0	1	2	L	F	2	0	1	0	0
Position	1	2	3	4	5	6	7	8	9	10	11	12	13	14	15	16	17	18	19
1	Désignation d'unité			Dynaline 3™															
5	Capacité de refroidissement nominale			09 = 9,500 12 = 11,500 16 = 15,000															
7	Type de système			AC = Climatisation															
9	Source de courant (Volts-Phase-Hz)			A = 208/230-1-60 V = 277-1-60															
10	Puissance thermique nominale			012 = 12,000 020 = 18,000 022 = 20,000															
13	Type de carburant			N = Gaz naturel L = GPL															
14	Connexion de gaz			F = De face															
15	Code de révision			20															
17	Couleur de l'armoire			100 = Pebble Gray 416 = White 200 = Gray															

NOTES GÉNÉRALES

L'indice d'efficacité de cet appareil est un indice d'efficacité thermique déterminé en service continu; il a été déterminé indépendamment de tout système installé.

IMPORTANT

Signaler aux enfants et aux adultes les risques que suscitent les surfaces à température élevée; veiller à ce que chacun reste à distance pour éviter des brûlures et l'inflammation de vêtements.

Superviser étroitement les jeunes enfants qui se trouvent dans la pièce où l'appareil est installé.

Ne pas placer de vêtements ou autres matières inflammables près de l'appareil.

Avant de faire fonctionner l'appareil après des travaux d'entretien, réinstaller tout grillage ou carter de sécurité déposé de l'appareil à l'occasion des travaux.

Seul un personnel qualifié devrait exécuter les opérations d'installation et de réparation. L'appareil devrait être soumis à une inspection avant l'utilisation et au moins chaque année, par un technicien qualifié. Il peut être nécessaire de nettoyer plus fréquemment s'il y a une accumulation excessive de peluches provenant des tapis, matériaux de literie, etc. Il est impératif que les organes de commande, le brûleur et les passages de circulation de l'air de l'appareil soient maintenus propres.

Ne jamais faire fonctionner l'appareil lorsque le filtre est déposé; le serpentin de l'évaporateur et/ou le plateau de récupération pourrait s'encrasser.

**Débit maximum des tuyauteries en pi³ de gaz par heure, pour une pression de gaz de 0,5 lb/po² rel.
Ou moins et une chute de pression de 0,3 po.
(Colonne d'eau) (Pour un gaz de densité 0,60)**

Diamètre nominal du tuyau d'acier (po)	Diamètre Interne (po)	LONGUEUR DE LA TUYAUTERIE, PLEDS															
		10	20	30	40	50	60	70	80	90	100	125	150	175	200		
1/4	.364	32	22	18	15	14	12	11	11	10	9	8	8	7	6		
3/8	.493	72	49	40	34	30	27	25	23	22	21	18	17	15	14		
1/2	.622	132	92	73	63	56	50	46	43	40	38	34	31	28	26		
3/4	.824	278	190	152	130	115	105	96	90	84	79	72	64	59	55		
1	1.049	520	350	285	245	215	195	180	170	160	150	130	120	110	100		
1 - 1/4	1.380	1,050	730	590	500	440	400	370	350	320	305	275	250	225	210		
1 - 1/2	1.610	1,600	1,100	890	760	670	610	560	530	490	460	410	380	350	320		
2	2.067	3,050	2,100	1,650	1,450	1,270	1,150	1,050	990	930	870	780	710	650	610		
2 - 1/2	2.469	4,800	3,300	2,700	2,300	2,000	1,850	1,700	1,600	1,500	1,400	1,250	1,130	1,050	980		
3	3.068	8,500	5,900	4,700	4,100	3,600	3,250	3,000	2,800	2,600	2,500	2,200	2,000	1,850	1,700		
4	4.025	17,500	12,000	9,700	8,300	7,400	6,800	6,200	5,800	5,400	5,100	4,500	4,100	3,800	3,500		

SCHÉMAS DE CÂBLAGE

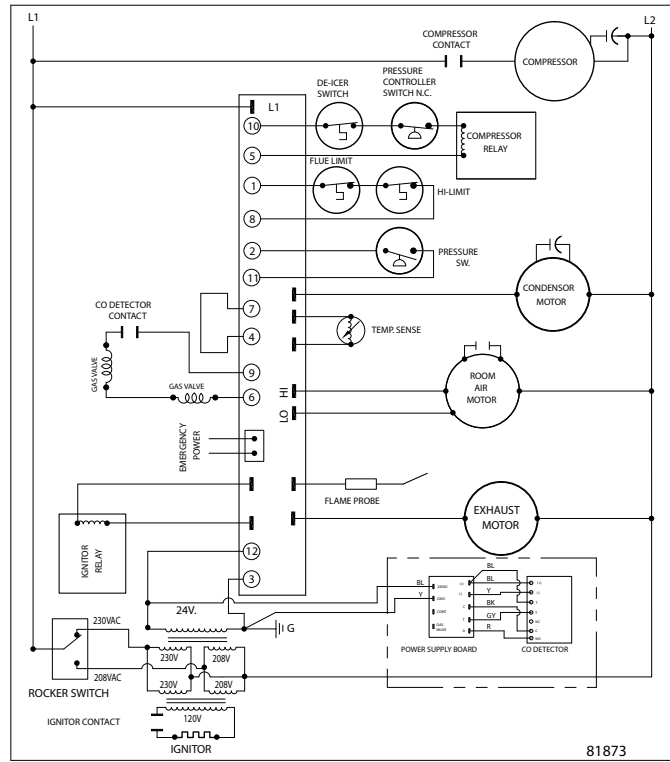


Figure 19

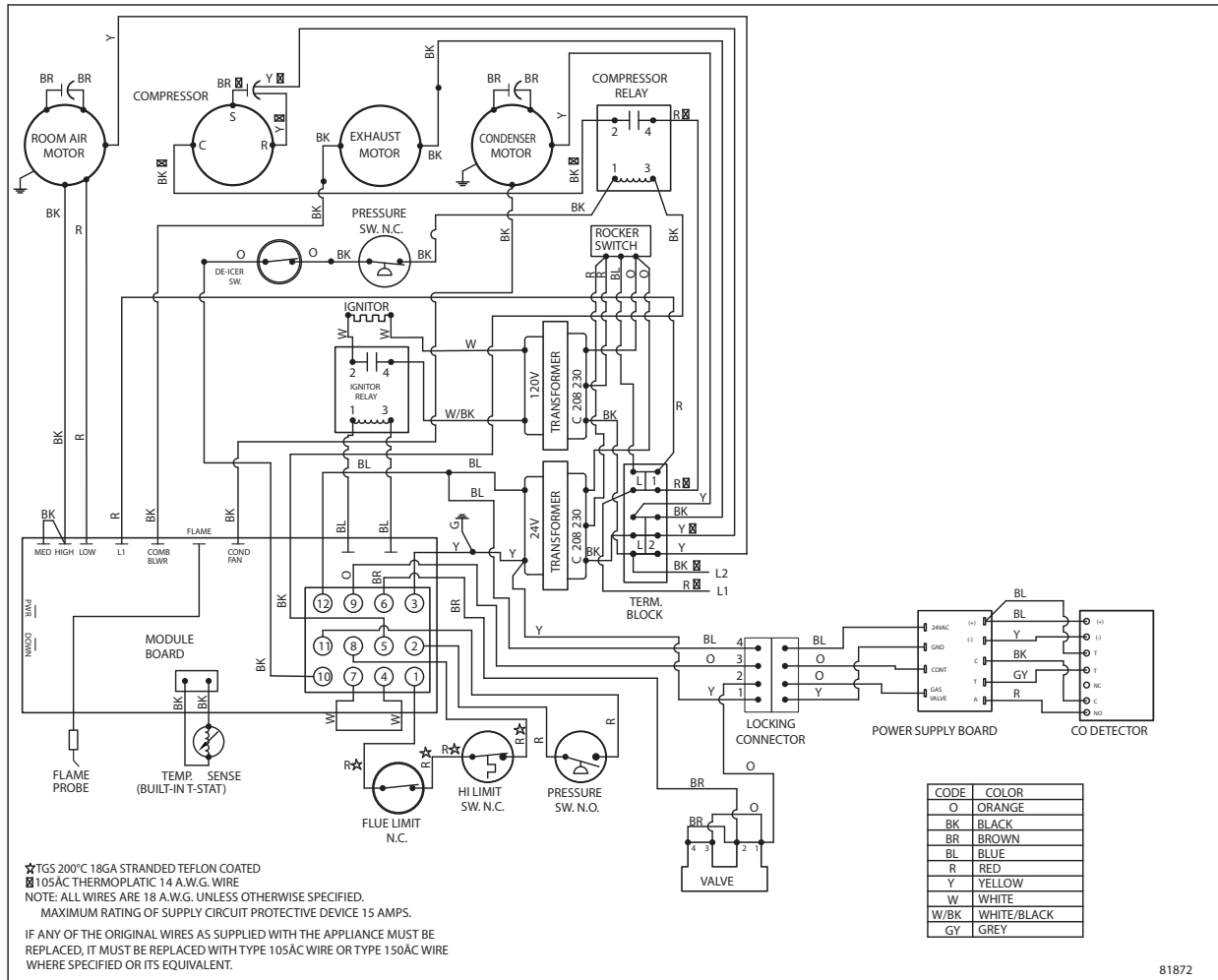
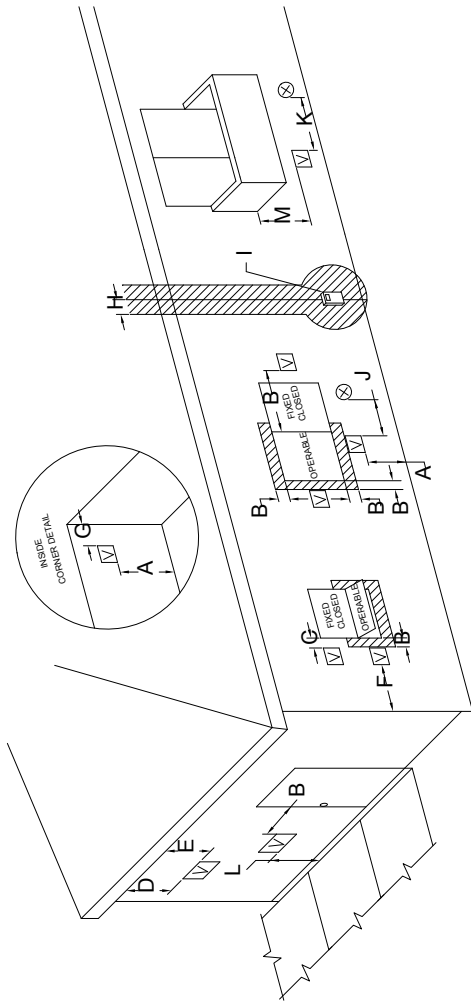


Figure 20



	VENT TERMINAL	AIR SUPPLY INLET	AREA WHERE TERMINAL IS NOT PERMITTED
	CANADIAN INSTALLATIONS	US INSTALLATIONS	CANADIAN INSTALLATIONS
A=	CLEARANCE ABOVE GRADE, VERANDA, PORCH, DECK, OR BALCONY	12 INCHES (30cm) (SEE NOTE a)	12 INCHES (30cm) (SEE NOTE a)
B=	CLEARANCE TO WINDOW OR DOOR THAT MAY BE OPENED	6 INCHES (15cm) FOR APPLIANCES <10,000 Btuh (3kw), 12 INCHES (30cm) FOR APPLIANCES > 10,000 Btuh (3kw) AND < 100,000 btuh (30kw)	6 INCHES (15cm) FOR APPLIANCES <10,000 Btuh (3kw), 9 INCHES (23cm) FOR APPLIANCES > 10,000 Btuh (3kw) ANB 50,000 Btuh (15kw)
C=	CLEARANCE TO WINDOW OR DOOR THAT MAY BE OPENED	* a	3 FEET (91cm) ABOVE IF WITHIN 10 FEET (3m) HORIZONTALLY
D=	VERTICAL CLEARANCE TO UNVENTILATED SOFFIT LOCATED ABOVE THE TERMINAL WITHIN A HORIZONTAL DISTANCE OF 2 FEET (61cm) FROM THE CENTER LINE OF THE TERMINAL	* a	7 FEET (2.13m) †
E=	CLEARANCE TO UNVENTILATED SOFFIT	* a	* a
F=	CLEARANCE TO OUTSIDE CORNER	* a	* a
G=	CLEARANCE TO INSIDE CORNER	* a	* a
H=	CLEARANCE TO EACH SIDE OF CENTER LINE EXTENDED ABOVE METER / REGULATOR ASSEMBLY	3 FEET (91cm) WITHIN A HEIGHT 15 FEET (4.5m) ABOVE THE METER / REGULATOR ASSEMBLY	6 INCHES (15cm) FOR APPLIANCES <10,000 Btuh (3kw), 12 INCHES (30cm) FOR APPLIANCES > 10,000 Btuh (3kw) AND < 100,000 btuh (30kw)
I=	CLEARANCE TO SERVICE REGULATOR VENT OUTLET	3 FEET (91cm)	12 INCHES (30CM) FOR APPLIANCES 50,000 Btuh (15kw)
J=	CLEARANCE TO NONMECHANICAL AIR SUPPLY INLET TO BUILDING OR THE COMBUSTION AIR INLET TO ANY OTHER APPLIANCE.	12 INCHES (30cm) (SEE NOTE a)	6 INCHES (15cm) FOR APPLIANCES <10,000 Btuh (3kw), 9 INCHES (23cm) FOR APPLIANCES > 10,000 Btuh (3kw) ANB 50,000 Btuh (15kw)
K=	CLEARANCE TO A MECHANICAL AIR SUPPLY INLET	6 FEET (1.83m)	6 FEET (1.83m)
L=	CLEARANCE ABOVE PAVED SIDEWALK OR PAVED DRIVEWAY LOCATED ON PUBLIC PROPERTY	* a	7 FEET (2.13m) †
M=	CLEARANCE UNDER VERANDA, PORCH, DECK, OR BALCONY	* a	12 INCHES (30cm) ‡

1 IN ACCORDANCE WITH THE CURRENT CSA B149.1, NATURAL GAS AND PROPANE INSTALLATION CODE
 2 IN ACCORDANCE WITH THE CURRENT ANSI Z223.1/NFPA 54, NATIONAL FUEL GAS CODE
 † A VENT SHALL NOT TERMINATE DIRECTLY ABOVE A SIDEWALK OR PAVED DRIVEWAY THAT IS LOCATED BETWEEN TWO SINGLE FAMILY DWELLINGS AND SERVES BOTH DWELLINGS
 ‡ PERMITTED ONLY IF VERANDA, PORCH, DECK, OR BALCONY IS FULLY OPEN ON A MINIMUM OF TWO SIDES BENEATH THE FLOOR.
 * FOR CLEARANCES NOT SPECIFIED IN ANSI Z223.1/NFPA 54 OR CSA B149.1, ONE OF THE FOLLOWING SHALL BE INDICATED:
 a) REFERENCE TO THE FOLLOWING FOOTNOTE:
 *CLEARANCE IN ACCORDANCE WITH LOCAL INSTALLATION CODES AND THE REQUIREMENTS OF THE GAS SUPPLIER AND MANUFACTURERS' INSTALLATION INSTRUCTIONS (SEE MANUAL SUPPLIED WITH APPLIANCE)

ACCESSOIRES FACULTATIFS

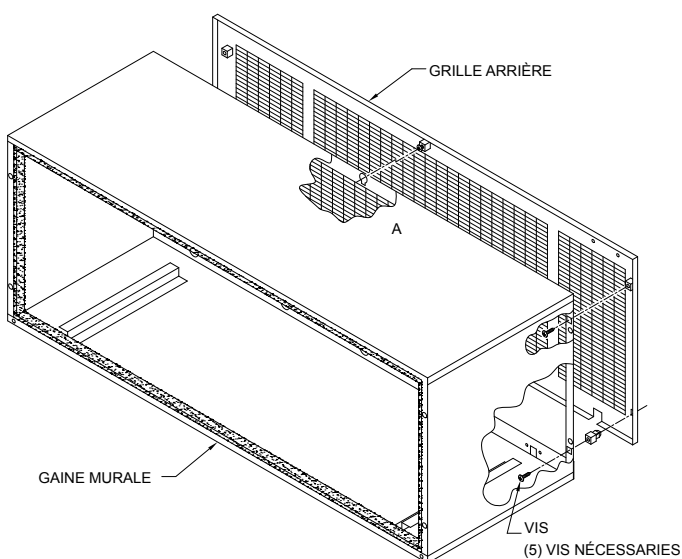
GRILLE D'ALUMINIUM PRODUIT N° 1625

INTRODUCTION

Cette grille a été conçue pour les modèles DL3 Dynaline. Ne pas tenter de courber ou modifier la grille ou le système de communication avec l'atmosphère de l'appareil Dynaline.

La grille est également utilisable avec les modèles raccordés à la canalisation de gaz par l'arrière.

IMPORTANT: On doit installer la grille arrière avant d'installer le châssis, car on la fixe par l'intérieur de la chemise de garnissage mural.



GRILLES ARCHITECTUREL STYLE

NATUREL GRILLE EN ALUMINIUM FINITION STOCK. 1420

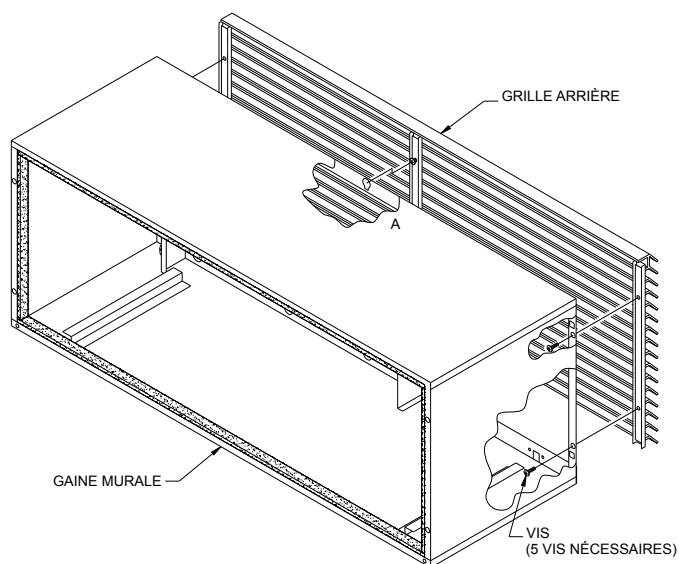
DARK GRILLE DE FINITION BRONZE STOCK. 1418

INTRODUCTION

Ces grilles décoratives sont conçues pour l'utilisation comme option ou grille de remplacement de la grille d'aluminium standard n° 1625. On doit les installer en orientant les lamelles vers le bas. Ne pas oublier qu'il s'agit de grilles spéciales. Ne pas tenter de courber une grille, ou d'en modifier la configuration; ne pas tenter de modifier le système d'admission d'air ou l'appareil Dynaline.

La grille est également utilisable avec les modèles raccordés à la canalisation de gaz par l'arrière.

IMPORTANT: On doit installer la grille arrière avant d'installer le châssis, car on la fixe par l'intérieur de la chemise de garnissage mural.



SYSTÈME DE DÉCHARGE DE L'AIR - APPAREIL DL3

Produit n° K/10730 - Adaptateur • Produit n° K/10733 - Extension • Produit n° K/10734 - Connecteur

INTRODUCTION

Cet ensemble proposé en option permet la distribution de l'air dans une zone adjacente nécessitant un contrôle de la température. Cet ensemble décharge l'air chauffé ou refroidi par la gauche ou par la droite, selon l'endroit où l'embout d'obturation est placé (voir figures 20-21).

On ne peut allonger cet ensemble lorsqu'il est installé sur un appareil DL3, série DYNA09AC. La longueur maximum sans l'adaptateur est 43 1/4 po. Dans les d'un appareil DL3, série DYNA12AC et DL3, série DYNA16AC, on peut ajouter une section additionnelle. N'est pas recommandé d'utiliser sur les modèles avec thermostats intégrés.

Si une section additionnelle est nécessaire, on peut utiliser le connecteur n° K/10734. On ne peut pas utiliser plus de deux connecteurs. La longueur maximum sans l'adaptateur est de 130 po (10,8 pi).

REMARQUE: L'installateur doit fournir les brides de support mural pour le connecteur et l'extension.

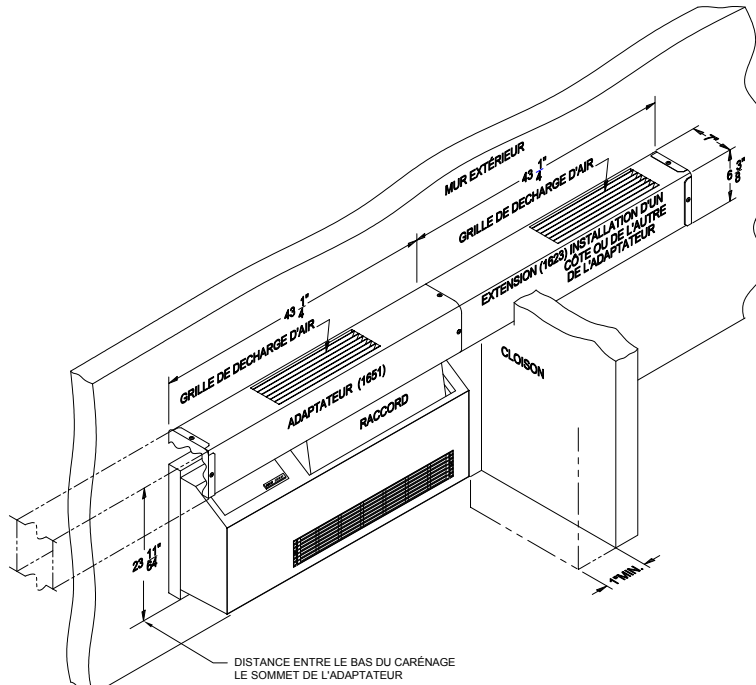


Figure 21

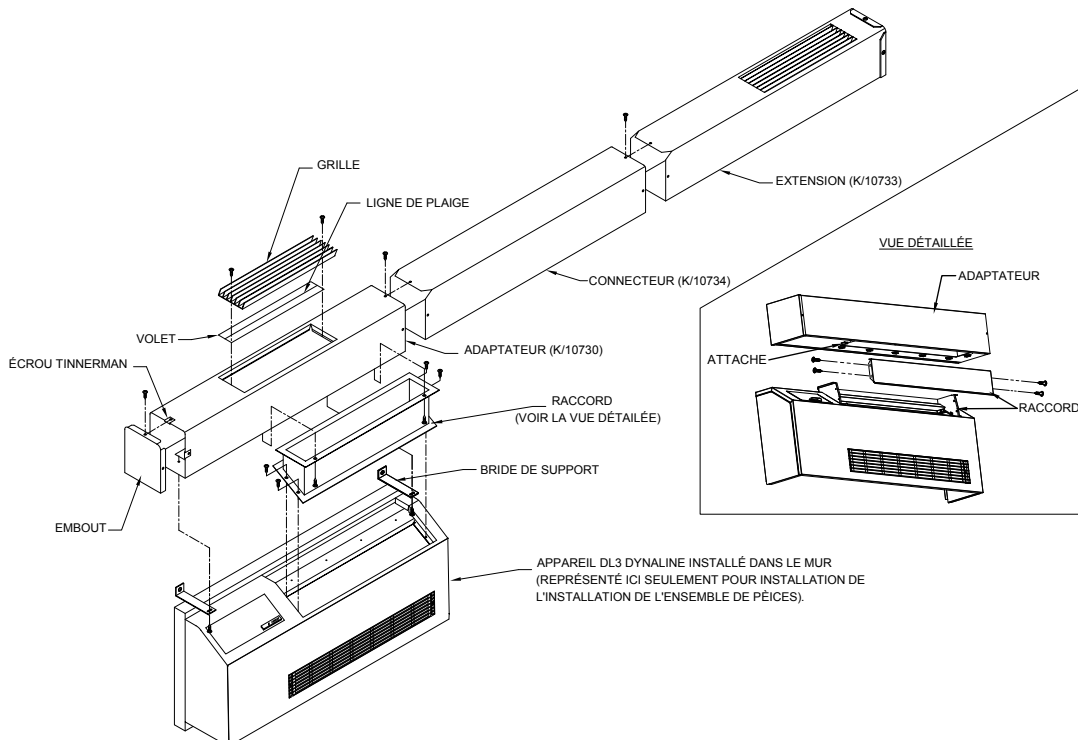


Figure 22

Produits appliqués Dynaline par Marvair, Inc. Garantie limitée du produit

Marvair Inc., garantit ses produits Dynaline contre tout défaut de matériaux et de fabrication dans des conditions normales d'utilisation à l'acheteur d'origine pendant la période indiquée dans le tableau ci-dessous. Si une partie de votre produit Dynaline tombe en panne dans les 24 mois à compter de la date de démarrage d'origine, Marvair fournira gratuitement, EXW Cordele, Géorgie, la pièce de rechange requise. Le propriétaire doit fournir une preuve de la date de la mise en service d'origine. La facture de l'entrepreneur, le certificat d'occupation ou des documents similaires sont des exemples de preuve acceptable de la date du démarrage initial.

Dynaline
90 Days ¹ DOA (Mort à l'arrivée) Couverture de la main-d'œuvre (<i>voir les lignes directrices sur le travail à taux fixe dans les Dynaline</i>)
Garantie de 2 ans sur les pièces UNIQUEMENT sur l'unité entière ^{2,3}
Couverture supplémentaire de 3 ans sur les pièces uniquement sur le compresseur ³
Couverture supplémentaire de 8 ans sur les pièces seulement sur l'échangeur de chaleur ^{2,3}

¹Si une pièce de votre unité Dynaline tombe en panne dans les 90 jours suivant le début de la garantie, Marvair, Inc. fournira gratuitement, EX Works, Cordele, Géorgie, la pièce de rechange requise et paiera la main-d'œuvre pour remplacer la pièce conformément aux directives sur le travail à taux fixe du Dynaline.

²Toutes les applications OTR (sur route) qui sont déplacées d'un endroit à un autre: la garantie d'usine s'applique uniquement jusqu'au point de démarrage initial et de test dans tous les sites de fabrication OEM ou dans les installations ultérieures. Une fois en service OTR, la garantie expire immédiatement pour les composants du compresseur et du système scellé. Cette exemption de l'OTR ne s'applique pas aux salles de classe déplaçables, aux remorques de construction ou de bureau.

³Toutes les pièces de rechange sous garantie doivent être expédiées par voie terrestre uniquement. L'expédition accélérée est disponible sur demande pour un coût supplémentaire.

La responsabilité du propriétaire de l'équipement comprend:

1. Pour faire fonctionner l'équipement conformément aux instructions du fabricant.
2. Fournir une accessibilité facile pour l'entretien.
3. Pour vérifier et réinitialiser tout disjoncteur et / ou sectionneur (s) avant d'appeler le service.
4. Pour garder l'unité propre et exempte de saleté et de confinement et remplacez les filtres au besoin.
5. Pour garder le serpentín extérieur propre et exempt de feuilles, de papier ou d'autres débris.
6. Pour payer les frais encourus lorsque l'un des éléments ci-dessus n'a pas été fait.
7. Pour payer la réparation ou le remplacement de tout matériel ou pièce autre que ceux de l'unité ou du contrôleur Marvair, Inc.

Marvair, Inc., ne sera pas responsable de la main-d'œuvre après 90 jours, des frais de transport, des retards ou des échecs de réparation causés par des événements hors de notre contrôle (heures de travail engagées en raison de la formation spécifique au site requise, temps d'attente pour y accéder ou prolongé), temps de conduite pour les sites distants). Cette garantie ne couvre pas:

1. Tout transport, main-d'œuvre de service connexe, appels de diagnostic, filtre, séchoirs, réfrigérant ou tout autre frais de matériel.
2. Les dommages causés par l'expédition, un accident, un abus, une négligence, une mauvaise utilisation, un incendie, une inondation ou un cas de force majeure.
3. Les dommages causés par l'utilisation ou la mise en scène de l'unité dans un environnement corrosif.
4. Les dommages causés par une mauvaise application du produit.
5. Les dommages causés par le défaut d'effectuer un entretien de routine approprié.
6. Les frais engagés pour monter, déconnecter ou démonter le produit ou installer la ou les pièces de rechange.
7. Produits non installés ou utilisés conformément aux instructions incluses, aux codes locaux et aux bonnes pratiques commerciales.
8. Les produits ont été déplacés du site d'installation d'origine.
9. Produits perdus ou volés
10. Dommages indirects ou dépenses accessoires, y compris les pertes de personnes, de biens ou d'entreprises.
11. Modifications apportées à l'unité d'origine après sa sortie de l'usine, telles que la rupture de toute partie des systèmes scellés, sauf autorisation écrite préalable de Marvair, Inc.
12. Dommages résultant du fonctionnement comme refroidisseur / déshumidificateur de chantier.

Lorsqu'un entretien est requis, il doit être effectué pendant les heures normales de travail (8 h 00 à 17 h 00) du lundi au vendredi et doit être effectué par Marvair Inc., le personnel ou un représentant de service désigné.

Le propriétaire du produit peut expédier le produit ou la pièce prétendument défectueux ou défectueux à Marvair Inc., aux frais de ce propriétaire, et Marvair Inc., diagnostiquera le défaut et, si le défaut est couvert par cette garantie, Marvair Inc. honorer sa garantie et fournir la pièce de rechange requise. Tous les frais d'expédition et les risques de perte pendant l'expédition du produit à Marvair Inc. et retour au propriétaire sont à la charge et à la responsabilité du propriétaire. À la demande écrite d'un propriétaire, Marvair Inc. peut organiser un diagnostic à distance du produit ou de la pièce prétendument défectueux ou défectueux, mais tous les frais de transport, d'hébergement et les dépenses connexes concernant ces services de diagnostic sont à la charge et à la responsabilité du propriétaire.

Un propriétaire qui demande l'exécution en vertu de cette garantie doit fournir un accès raisonnable au produit ou à la pièce prétendument défectueux ou défectueux à Marvair Inc. et à ses agents et employés autorisés.

CETTE GARANTIE CONSTITUE LE RECOURS EXCLUSIF DE TOUT ACHETEUR D'UNE POMPE À CHALEUR OU D'UN CLIMATISEUR MARVAIR ET REMPLACE TOUTES LES AUTRES GARANTIES, EXPRIMÉES OU IMPLICITES, Y COMPRIS, SANS LIMITATION, TOUTE GARANTIE IMPLICITE DE QUALITÉ MARCHANDE OU D'UTILISATION FORTE PAR LA LOI. EN AUCUN CAS, TOUTE GARANTIE IMPLICITE DE QUALITÉ MARCHANDE OU D'ADÉQUATION À L'UTILISATION N'EXCÉDERA LES TERMES DE LA GARANTIE APPLICABLE ÉNONCÉE CI-DESSUS ET MARVAIR N'A AUCUNE AUTRE OBLIGATION OU RESPONSABILITÉ. EN AUCUN CAS MARVAIR NE SERA TENU RESPONSABLE DES DOMMAGES ACCESSOIRES OU INDIRECTS OU DES DOMMAGES MONÉTAIRES.

CETTE GARANTIE VOUS DONNE DES DROITS JURIDIQUES SPÉCIFIQUES ET VOUS POUVEZ ÉGALEMENT AVOIR D'AUTRES DROITS QUI VARIENT D'UN ÉTAT À L'AUTRE. Certains états n'autorisent pas les limitations ou exclusions, les limitations et exclusions ci-dessus peuvent donc ne pas s'appliquer à vous.

SI UN PROBLÈME SE MANIFESTE

TOUT D'ABORD: Pour les travaux de service, contacter l'installateur de l'équipement ou le concessionnaire qui l'a vendu. On peut trouver son nom sur le produit, ou dans le manuel de l'utilisateur qui accompagne l'appareil. Si son nom n'y est pas mentionné, contacter l'entrepreneur ou l'entrepreneur général qui a construit le bâtiment.

DEUXIÈMEMENT: Contacter le distributeur Dynaline qui a fourni le produit à l'installateur ou au concessionnaire.

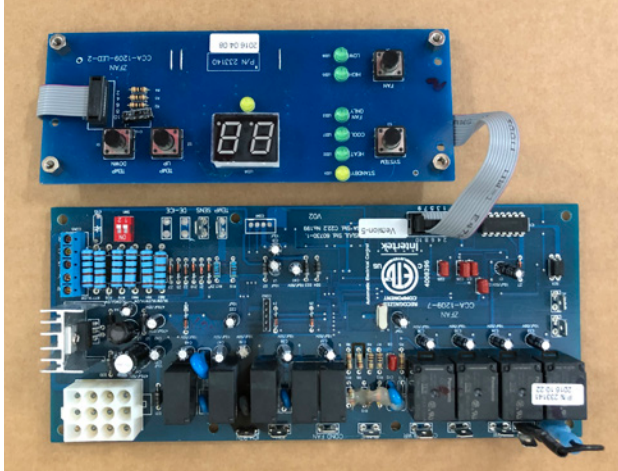
TROISIÈMEMENT: Contacter:

Dynaline Manufacturing Company
Dynaline Applied Products - Customer Service Department
156 Seedling Drive
Cordele, GA 31015
(229) 273-3636
Fax: (229) 273-5154
www.DynalineHVAC.com

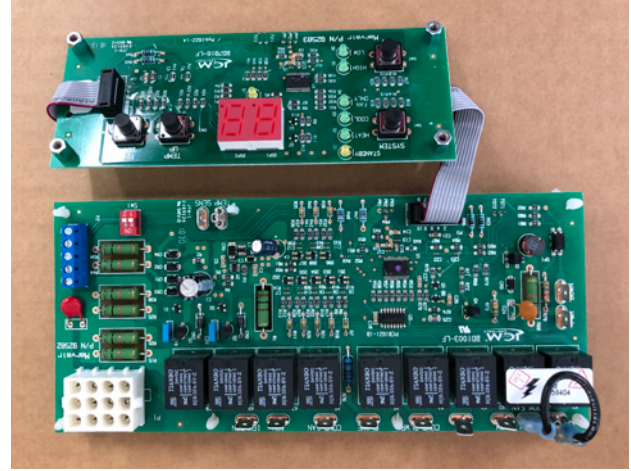


CARTES DE MODULE ET D’AFFICHAGE INSTRUCTIONS DE REMPLACEMENT SUR TOUTES LES UNITÉS DL3

Dynaline lance des nouvelles cartes améliorées pour contrôle et affichage de ses Dynaline DL3, modèles DYNA09AC, DYNA12AC, DYNA16AC. Ce changement est appliqué en production à partir de l’unité N° de série LH-F164074-0-12 produite le 28 novembre 2018. Ces nouvelles cartes sont VERTES pour les distinguer des cartes équivalentes précédentes. Désormais, la carte maîtresse est marquée de la référence 92582, et la carte d’affichage de la référence 92583. Les photos qui suivent vous aideront à distinguer ces nouvelles cartes de leurs versions antérieures.



ANCIENNES cartes de contrôle et affichage (bleues)



NOUVELLES cartes de contrôle et affichage (vertes)

Le kit de service K/11022 contient la carte maîtresse de contrôle et le module d’affichage.

Ces nouvelles cartes n’ont pas besoin de l’écran EMC récent. Cet écran s’il est installé doit être déposé et jeté si vous changez les anciennes cartes par les nouvelles.

Ces nouvelles carte de contrôle et d’affichage sont à installer comme un jeu indissociable dans des modèles DL-3 de Dynaline actuellement en service. La nouvelle carte d’affichage seule n’est pas compatible, et ne doit pas être utilisée comme telle, avec des cartes plus anciennes, de même la nouvelle carte maîtresse de contrôle n’est pas compatible, et ne doit pas être utilisée comme telle, avec des versions anciennes de modules d’affichage. Si l’une des cartes de contrôle ou d’affichage de versions anciennes a besoin d’être remplacée, il faut utiliser en totalité le kit de service K/11022.

Les cartes de contrôle améliorées comportent une nouvelle protection contre le gel, qui est active lorsque le Dynaline est utilisé avec le thermostat et les commandes intégrés. Le modèle de Dynaline va fonctionner en chauffant si la température tombe en-dessous d’environ 45°F (13 °C) quand l’appareil est dans l’un des modes ATTENTE, CHAUFFAGE ou REFROIDISSEMENT. Ce fonctionnement peut être désactivé si on le désire. Si une protection contre le gel est désirée en fonctionnant avec un thermostat mural monté à distance, il faut installer séparément un thermostat de fourniture extérieure comportant une protection antigel.

Pour désactiver le fonctionnement de la protection contre le gel, il faut appuyer simultanément sur les boutons du clavier “FAN”, “WARMER” et “COOLER” “NP” sera affiché quand cette protection contre le gel est désactivée et “FP” sera affiché quand elle est activée.

L’enlèvement et la réinstallation d’un appareil Dynaline, ainsi que l’installation de ce kit, sont à faire effectuer par un installateur qualifié, une agence de service ou le fournisseur du gaz.

Instructions d’installation

1. Débranchez le cordon d’alimentation ou coupez l’appareil au niveau du disjoncteur.
2. Déposez le couvercle frontal.
3. Sortez la carte d’affichage et son support de montage. Conservez les vis. Débranchez le cordon de raccordement de la carte de module.
4. Débranchez le connecteur à 12 broches de la carte de module.
5. Étiquetez puis débranchez tout le restant des fils de la carte de module, y compris les fils basse tension de thermostat.
6. Sortez la carte de module de son support de montage en soulevant les 7 clips de fixation de la carte.
7. Installez la carte de module de remplacement.
8. Rebranchez tous les fils sur la nouvelle carte de module. Consultez comme référence les schémas de câblage qui suivent. La carte de module de remplacement est câblée exactement comme la carte de module d’origine.
9. Si un thermostat à distance est utilisé, passez le micro-commutateur Dip N° 1 en position “ON”.
10. Installez la carte d’affichage de remplacement et son support de montage.

REMARQUE : Ces cartes de remplacement doivent être installées toutes les deux en même temps.

11. Rebranchez l’alimentation de l’appareil et faites-le tourner pour un cycle complet de chauffage, un cycle de refroidissement, et contrôlez les vitesses de ventilation forte et faible.
12. Remettez en place le couvercle frontal.

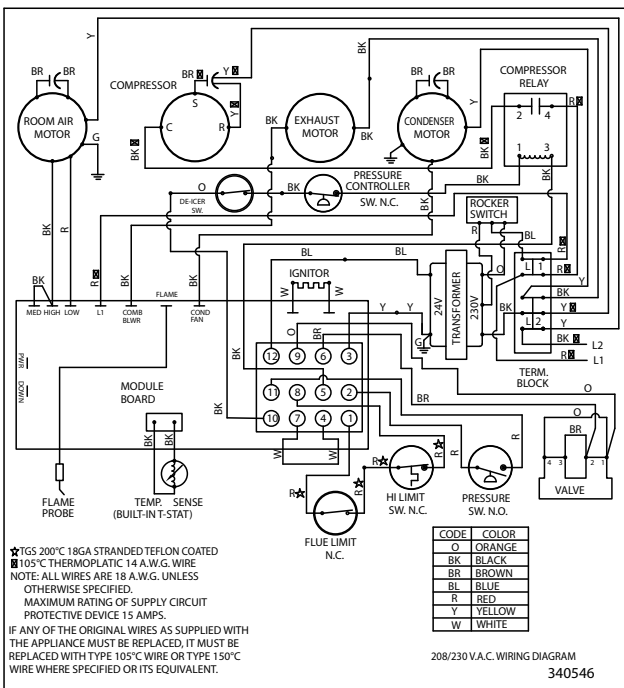
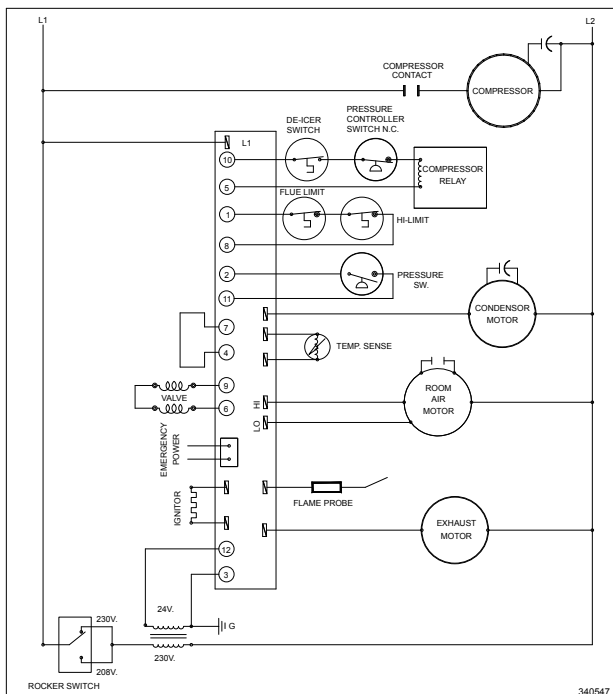
⚠ AVERTISSEMENT

Toute faute d'installation, de réglage, par altération, de service ou d'entretien peut causer des dégâts matériels et des blessures corporelles pouvant être mortelles. Référez-vous aux instructions d'installation et/ou au contenu du manuel d'utilisation livré avec l'appareil. L'installation et les interventions de service doivent être menées par un installateur qualifié, une agence de dépannage ou le fournisseur du gaz.

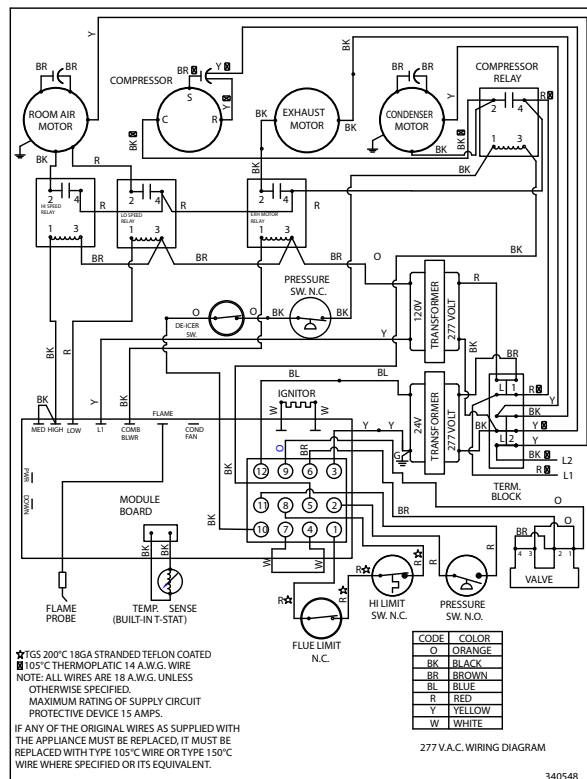
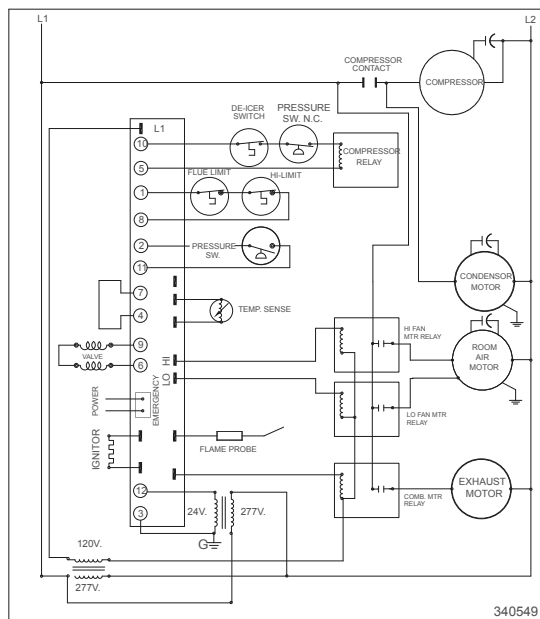
⚠ AVERTISSEMENT

L'installation de cet appareil doit être faite en conformité avec les instructions écrites formulées dans le manuel. Aucun agent, représentant ou employé d' Dynaline, ni toute autre personne, n'a l'autorité de changer, modifier ou annuler une quelconque disposition des instructions contenues dans le manuel ou cette fiche d'instructions.

Wiring Diagrams for **DYNALINE** 230 Volt MODELS with all-numeric serial numbers (up through 2015) **DYNA09AC • DYNA12AC • DYNA16AC**

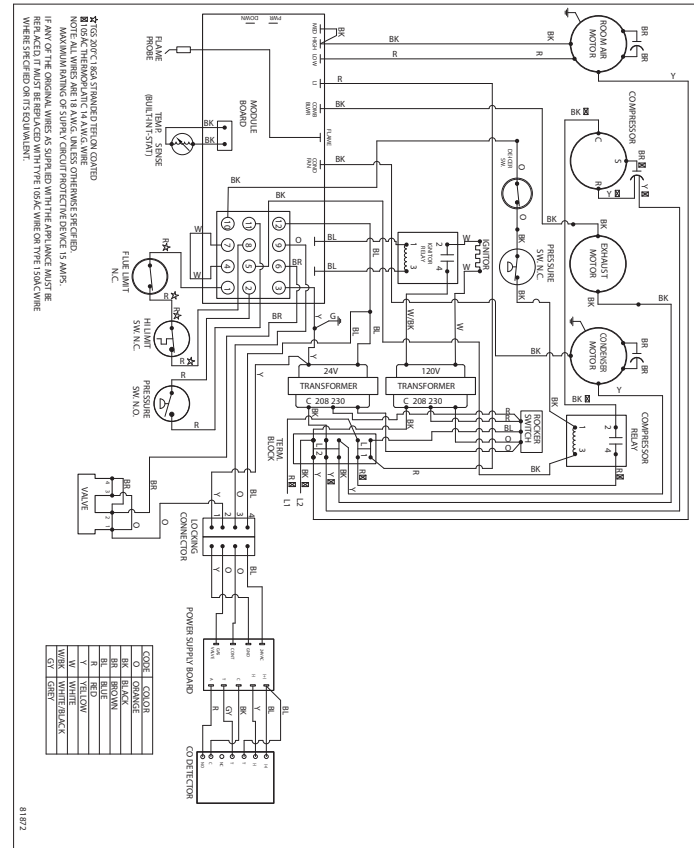
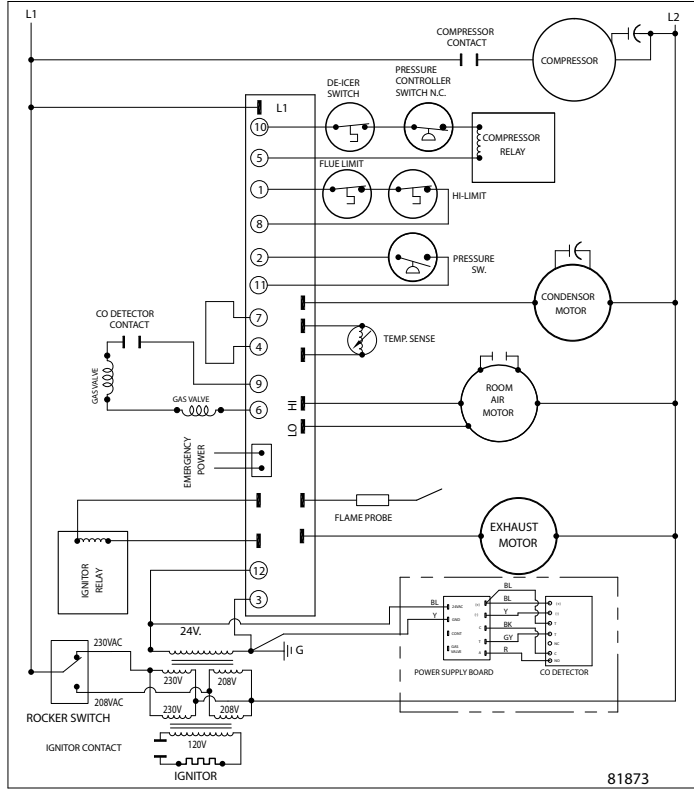


Wiring Diagrams for **DYNALINE** 277 Volt MODELS with all-numeric serial numbers (up through 2015) **DYNA12AC-7**



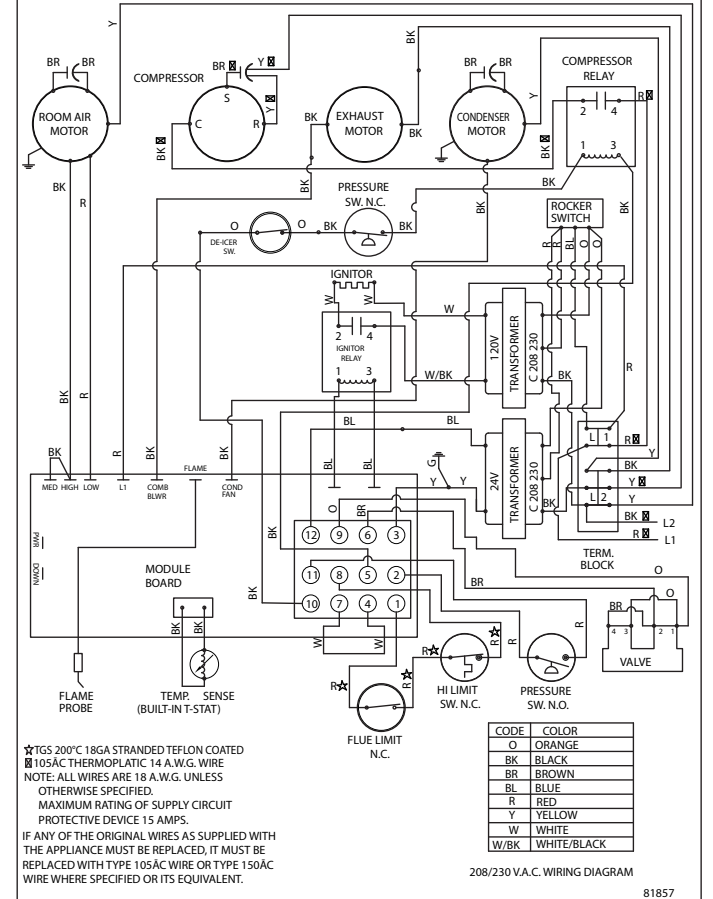
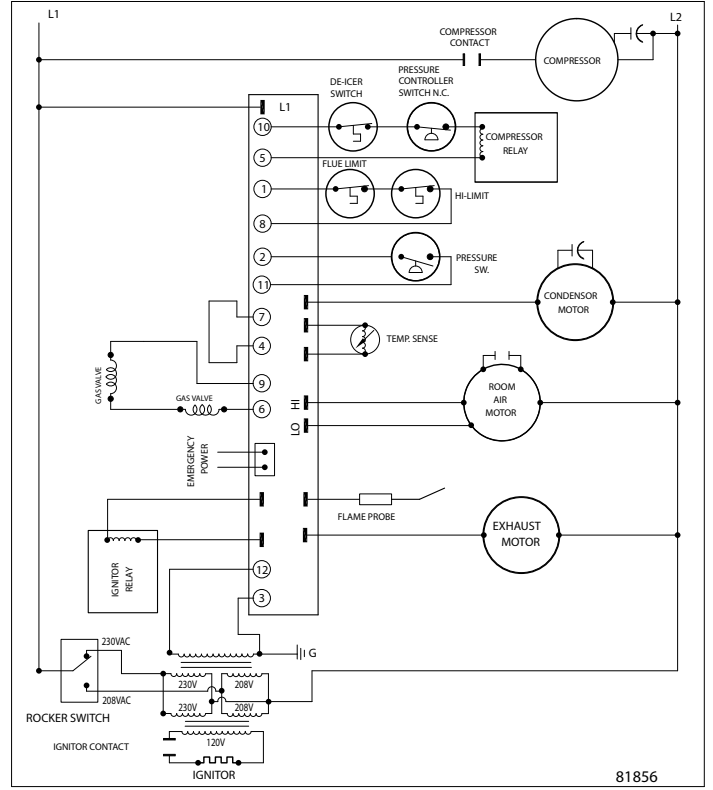
Wiring Diagrams for DYNALINE with serial numbers starting with letters (2016 and later)

WITH Carbon Monoxide Detector



Wiring Diagrams for DYNALINE with serial numbers starting with letters (2016 and later)

WITHOUT Carbon Monoxide Detector



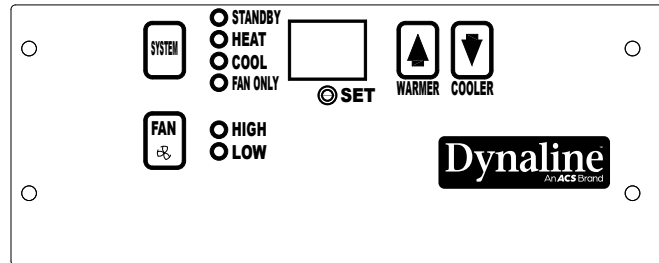
*TG5 200°C 18GA STRANDED TEFLON COATED
 #105AC THERMOPLASTIC 14 A W/G WIRE
 NOTE: ALL WIRES ARE 18 A.W.G. UNLESS OTHERWISE SPECIFIED.
 MAXIMUM RATING OF SUPPLY CIRCUIT PROTECTIVE DEVICE 15 AMPS.
 IF ANY OF THE ORIGINAL WIRES AS SUPPLIED WITH THE APPLIANCE MUST BE REPLACED WITH TYPE 105AC WIRE OR TYPE 150AC WIRE WHERE SPECIFIED OR ITS EQUIVALENT.

CODE	COLOR
O	ORANGE
BK	BLACK
BR	BROWN
BL	BLUE
R	RED
Y	YELLOW
W	WHITE
W/BK	WHITE/BLACK

DÉFAUTS DU SYSTÈME ET DESCRIPTION DU MENU DE SERVICE

Lorsqu'une anomalie du système est détectée, comme l'ouverture du commutateur de limite haute, le POINT DÉCIMAL situé dans le coin inférieur droit de l'écran s'allume. Lorsque le défaut est corrigé ou supprimé, le POINT DÉCIMAL s'éteint. Le défaut est enregistré dans le microprocesseur et peut être rappelé par le technicien du service après-vente. Les défauts resteront consignés tant que l'alimentation de la commande n'aura pas été interrompue.

Pour revoir les défauts enregistrés, un menu SERVICE peut être activé en appuyant simultanément sur la touche SYSTEM et la touche WARMER. "Sr" sera maintenant affiché et le mode SYSTEM passera au réglage STANDBY. Vérifiez le numéro de défaut associé au mode STANDBY.



À l'aide de la touche SYSTEM, appuyez une fois pour passer de STANDBY à HEAT. Vérifiez les numéros de défaut associés au mode HEAT.

Appuyez à nouveau sur la touche SYSTEM pour passer de HEAT à COOL. Vérifiez les numéros de défaut associés au mode COOL. Le menu SERVICE «expirera» automatiquement et reviendra au réglage précédent.

REMARQUE 1: Pour supprimer les défauts enregistrés, éteignez-le (pendant 3 secondes) puis rallumez-le.

REMARQUE 2: Pour réinitialiser une condition de VERROUILLAGE DU MODE DE CHALEUR, quitter le MODE DE CHALEUR de fonctionnement en appuyant sur la touche système et en sélectionnant tout autre mode système tel que STANDBY pendant au moins 2 secondes avant de re-sélectionner le MODE CHAUFFAGE de fonctionnement.

REMARQUE 3: Lorsque la climatisation est désactivée, le compresseur ne redémarrera pas pendant cinq minutes. Ce délai a pour but de protéger le compresseur.

REMARQUE 4:

AFFICHAGE DE LA TEMPÉRATURE ° F ou ° C

1. Appuyez simultanément sur les boutons «SYSTEM» et «WARMER» et relâchez-les. «Sr» s'affiche.
2. Appuyez sur les boutons «WARMER» et «COOLER» pour afficher F ° ou C °.

REMARQUE: «SR» ne s'affichera pas si le voyant SET est allumé.

CONFIGURATION DU MODE VENTILATEUR CONTINU

1. Appuyez simultanément sur les boutons «SYSTEM» et «WARMER» et relâchez-les. «Sr» s'affiche.
2. Appuyez sur le bouton «FAN». «ON» s'affiche pour le ventilateur continu. «OF» s'affiche pour le cycle du ventilateur.

CODES DE DÉFAUT ET DESCRIPTIONS (SUR TOUTES LES UNITÉS DL3)

Faute	Type de défaut	La description	Détails
2	CODE CAPTEUR DE THERMOSTAT (lire en mode STANDBY)	Défaut sonde d'ambiance	L'écran affichera «Lo» pour un circuit ouvert dans le capteur ou le fil et affichera «Hi» pour un court-circuit dans le capteur ou le fil. Si le code 2 se produit, l'indicateur du système de service restera allumé jusqu'à ce que l'alimentation soit rétablie. REMARQUE: «Lo» s'affiche également si la température de la pièce tombe en dessous de 45 °. «Hi» s'affichera également si la température ambiante est supérieure à 99°. L'unité fonctionnera en CHAUFFAGE ou REFROIDISSEMENT s'il y a une demande de thermostat.
11	CODES DE FIN DE COURSE (lus en mode Service / HEAT)	Limite de défaut ouvert	Le code d'erreur de limite supérieure est causé par un filtre sale, un débit d'air restreint, un faible régime du ventilateur de la pièce. Le code de défaut du conduit de fumée bloqué est causé par un faible régime du ventilateur d'échappement, une restriction d'admission ou d'échappement. L'indicateur du système de service restera allumé tant que l'interrupteur de fin de course est ouvert (dans tous les modes). REMARQUE: l'allumage redémarrera dès que la limite se fermera.
12		Verrouillage de fin de course	Après 15 déclenchements limites (pendant un cycle de chauffage contrôlé par thermostat), il y a un verrouillage de 60 minutes. Toutes les fonctions de l'unité s'arrêtent pendant le verrouillage et l'indicateur du système de service est activé. Le cycle de chauffage reprend après l'expiration de la période de verrouillage et le compteur de déclenchement de limite est remis à zéro. Le nombre de déclenchements limites est mis à zéro chaque fois que le point de consigne du thermostat est satisfait.
13	CODES DE COMMUTATEUR DE PRESSION (lu en mode Service / HEAT)	Défaillance du pressostat - coincé fermé: (les contacts du contact se ferment sans que le ventilateur de combustion ne fonctionne)	Une fois que le souffleur d'air de la pièce a fonctionné pendant 15 secondes, une période de verrouillage de 20 minutes commence. Le code est enregistré et l'indicateur du système de service est activé. L'essai d'allumage se répète après l'expiration du verrouillage.
14		Contacts du pressostat: verrouillage «ouvert» - fermeture impossible	Le contact du pressostat reste ouvert au démarrage d'un cycle HEAT. La soufflante d'échappement passe de 15 secondes à ON et 15 secondes à OFF. Après 5 tentatives infructueuses, un verrouillage de 20 minutes commence et le code 14 est enregistré. Le ventilateur d'air de la pièce s'arrête et l'indicateur du système d'entretien est activé. L'essai d'allumage se répète après l'expiration du verrouillage.
15		Perte de verrouillage du pressostat	Contact pressostat ouvert pendant le chauffage. Après 5 déclenchements du pressostat, un verrouillage de 20 minutes commence, le code 15 est enregistré et l'indicateur du système de service est activé. Pendant la période de verrouillage, les soufflantes d'évacuation et d'air ambiant s'arrêtent. L'essai d'allumage se répète après l'expiration du verrouillage.
16	CODES DU CAPTEUR DE FLAMME (lu en mode Service / HEAT)	Impossible de déclencher le verrouillage	Absence de détection de flamme pendant l'essai d'allumage, en raison de l'absence de débit de gaz, d'un détecteur de CO en circuit ouvert, d'une défaillance de la barre de préchauffage ou d'une défaillance ou position de la sonde de flamme. Il y a une purge de 20 secondes entre les tentatives d'allumage. Après trois essais d'allumage, le code d'erreur 16 est enregistré et l'indicateur du système de service est activé. Une période de verrouillage de 60 minutes commence. Les soufflantes d'échappement et d'air ambiant s'arrêtent. L'essai d'allumage se répète après l'expiration du verrouillage.
17		Perte de verrouillage de flamme	Pendant le chauffage, perte de détection de flamme due à une interruption du débit de gaz ou à une défaillance de la sonde de flamme. Cinq déclenchements (pendant un cycle de chauffage contrôlé par thermostat) sont nécessaires pour initier le code et le verrouillage. Une période de verrouillage de 60 minutes commence. Pendant la période de verrouillage, les soufflantes d'évacuation et d'air ambiant s'arrêtent. L'essai d'allumage se répète après l'expiration du verrouillage.
18		Fausse faute de flamme	La sonde de flamme détecte la flamme en l'absence de fonctionnement de chauffage (surveillée dans tous les modes de l'unité). Le ventilateur d'extraction est activé et le ventilateur d'air de la pièce fonctionnera à vitesse ÉLEVÉE tant qu'une fausse flamme est indiquée. La fonction de refroidissement est supprimée.
19	CODE DE SOUPAPE DE GAZ (lire le code en mode Service / CHALEUR)	Défaut vanne de gaz faux	Indique une présence de 24 volts sur le circuit de la vanne de gaz lorsque l'unité n'est pas en mode chauffage (surveillée dans tous les modes de l'unité). Le ventilateur d'évacuation est activé et le ventilateur d'air de la pièce fonctionnera à vitesse ÉLEVÉE tant qu'une vanne de faux gaz est indiquée. La fonction de refroidissement est supprimée.
28	CODE DE MISE HORS TENSION (lu en mode Service / COOL)	Éteindre	Indique que les bornes de mise hors tension sont alimentées en 24 VCA en raison d'un signal de générateur d'urgence. Empêche (ou arrête) le fonctionnement du compresseur et du ventilateur du condenseur pendant le fonctionnement du générateur d'urgence. L'indicateur du système de service est allumé pendant la mise hors tension en cas de demande de refroidissement. Le ventilateur d'air de la pièce fonctionnera avec une demande de refroidissement à l'arrêt.