

## REPLACEMENT PARTS LIST AND PARTS ILLUSTRATIONS FOR DYNALINE™ MODELS

**For Models Built AFTER 1/1/2016 - Serial Numbers Beginning with "AF"**



**DYNA09AC**

**DYNA12AC**

**DYNA16AC**

**PACKAGED TERMINAL AIR CONDITIONER**

**Only factory authorized parts are to be used.  
Do not attempt to repair defective parts.**

When ordering parts from your dealer or a distributor, always give the following information:

1. Part Number (Not Item No.)
2. Part Description
3. Model No. and Serial No. of your PTAC
4. Number of Parts Required

## LISTE DES PIÈCES DE RECHANGE ET ILLUSTRATIONS DES PIÈCES POUR LES DYNALINE™ MODÈLES

**Pour les modèles construits après 1/1/2016 - Numéros de série commençant par "AF"**



**DYNA09AC**

**DYNA12AC**

**DYNA16AC**

**CHAUFFAGE-CLIMATISEUR**

**Seules les pièces d'usine autorisés doivent être utilisés.  
Ne pas tenter de réparer les pièces défectueuses.**

Lors de la commande de pièces de rechange auprès de votre revendeur ou un distributeur, toujours donner les informations suivantes:

1. Numéro de pièce (Non Point N°)
2. Description de la pièce
3. Numéro de modèle et de série de Chauffage-Climatiseur
4. Nombre de pièces nécessaires

## Dynaline 3 Model Identification

<b>Example</b>	<b>D</b>	<b>Y</b>	<b>N</b>	<b>A</b>	<b>0</b>	<b>9</b>	<b>A</b>	<b>C</b>	<b>A</b>	<b>0</b>	<b>1</b>	<b>2</b>	<b>L</b>	<b>F</b>	<b>2</b>	<b>0</b>	<b>1</b>	<b>0</b>	<b>0</b>
<b>Position</b>	1	2	3	4	5	6	7	8	9	10	11	12	13	14	15	16	17	18	19

1		<b>Dynaline 3™</b>
2		
3		
4		
5	Nominal Cooling Capacity	<b>09</b> = 9,500 <b>12</b> = 11,500 <b>16</b> = 15,000
6		
7		
8	System Type	<b>AC</b> = Air Conditioner
9	Power Supply (Volts-Phase-Hz)	<b>A</b> = 208/230-1-60 <b>V</b> = 277-1-60

10		Nominal Heat Input	<b>012</b> = 12,000 <b>020</b> = 18,000 <b>022</b> = 20,000
11			
12			
13	Fuel Type	<b>N</b> = Natural Gas (NG) <b>L</b> = LP Gas (LP)	
14	Gas Connection	<b>F</b> = Front	
15	Revision Code	<b>20</b>	
16			
17			<b>100</b> = Pebble Gray <b>416</b> = White <b>200</b> = Gray
18			
19			

## Dynaline 3 Identification du modèle

<b>Exemple</b>	<b>D</b>	<b>Y</b>	<b>N</b>	<b>A</b>	<b>0</b>	<b>9</b>	<b>A</b>	<b>C</b>	<b>A</b>	<b>0</b>	<b>1</b>	<b>2</b>	<b>L</b>	<b>F</b>	<b>2</b>	<b>0</b>	<b>1</b>	<b>0</b>	<b>0</b>
<b>Position</b>	1	2	3	4	5	6	7	8	9	10	11	12	13	14	15	16	17	18	19

1		<b>Dynaline 3™</b>
2		
3		
4		
5	Capacité de refroidissement nominale	<b>09</b> = 9,500 <b>12</b> = 11,500 <b>16</b> = 15,000
6		
7		
8	Type de système	<b>AC</b> = Climatisation
9	Source de courant (Volts-Phase-Hz)	<b>A</b> = 208/230-1-60 <b>V</b> = 277-1-60

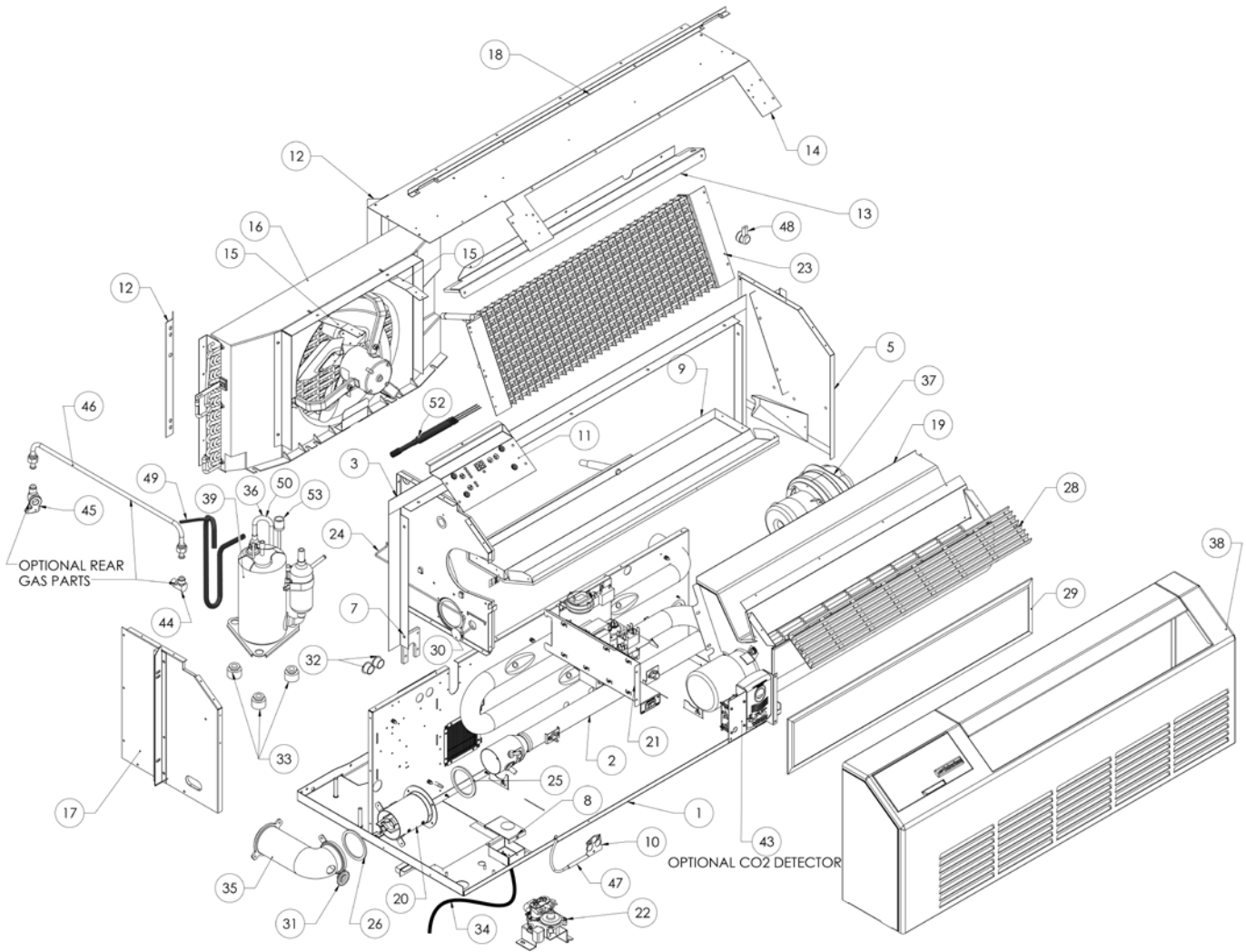
10		Puissance thermique nominale	<b>012</b> = 12,000 <b>020</b> = 18,000 <b>022</b> = 20,000
11			
12			
13	Type de carburant	<b>N</b> = Gaz naturel (NG) <b>L</b> = GPL (LP)	
14	Connexion de gaz	<b>F</b> = De face	
15	Code de révision	<b>20</b>	
16			
17			<b>100</b> = Pebble Gray <b>416</b> = White <b>200</b> = Gray
18			
19			

### Dynaline 3 Model Identification Cross Reference

New Model Number	Old Model Number	Deprecated Stock Number
DYNA09ACA012NF20-XXX	0912	2004
DYNA09ACA012NR20-XXX	0912	2005
DYNA09ACA012LF20-XXX	0912	2006
DYNA09ACA012LR20-XXX	0912	2007
DYNA12ACA020NF20-XXX	1220	2008
DYNA12ACA020NR20-XXX	1220	2009
DYNA12ACA020LF20-XXX	1220	2010
DYNA12ACA020LR20-XXX	1220	2011
DYNA16ACA022NF20-XXX	1622	2012
DYNA16ACA022NR20-XXX	1622	2013
DYNA16ACA022LF20-XXX	1622	2014
DYNA16ACA022LRF20-XXX	1622	2015

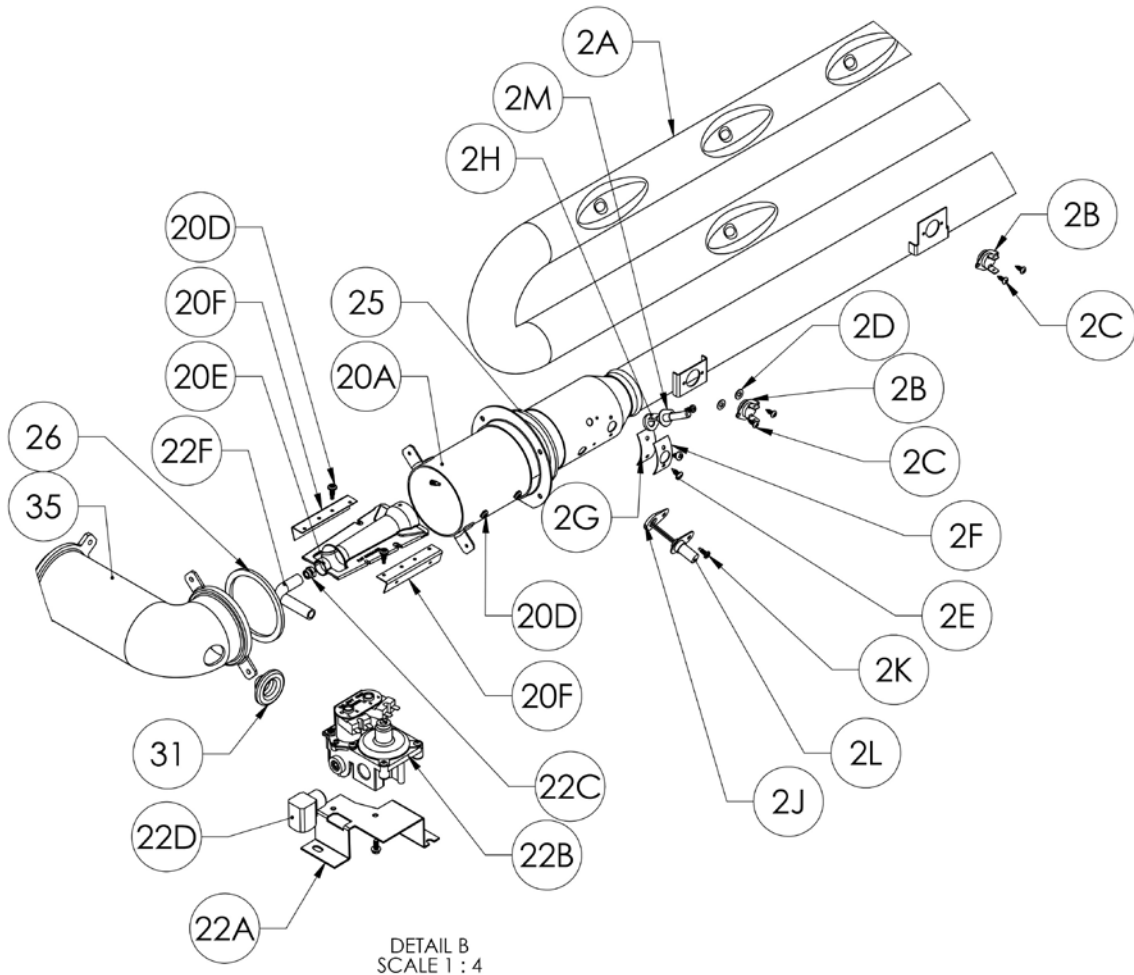
### Identification du modèle Dynaline 3 Références croisées

Nouveau numéro de modèle	Ancien numéro de modèle	Numéro de stock obsolète
DYNA09ACA012NF20-XXX	0912	2004
DYNA09ACA012NR20-XXX	0912	2005
DYNA09ACA012LF20-XXX	0912	2006
DYNA09ACA012LR20-XXX	0912	2007
DYNA12ACA020NF20-XXX	1220	2008
DYNA12ACA020NR20-XXX	1220	2009
DYNA12ACA020LF20-XXX	1220	2010
DYNA12ACA020LR20-XXX	1220	2011
DYNA16ACA022NF20-XXX	1622	2012
DYNA16ACA022NR20-XXX	1622	2013
DYNA16ACA022LF20-XXX	1622	2014
DYNA16ACA022LRF20-XXX	1622	2015

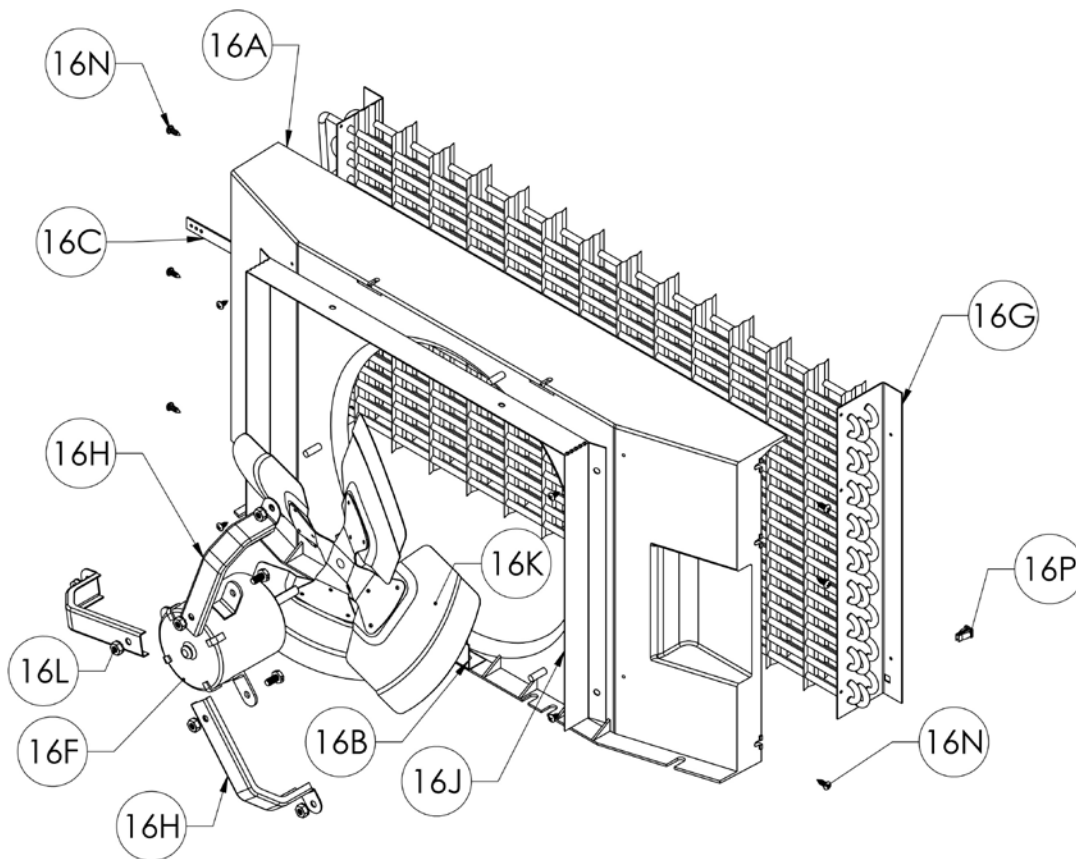


ITEM NO.	DESCRIPTION	PART NUMBER	MODELS AFFECTED
1	**CABINET/FIRE WALL ASSY 102766	S/12278	DYNA09AC
	**CABINET/FIRE WALL ASSY 102766	S/12278	DYNA12AC
	**CABINET/FIRE WALL ASSY 102766	S/12310	DYNA16AC
2	TUBE COMBUSTION CHAMBER ASSY (SEE DETAILED VIEW FOR PARTS)		ALL
3	EVAPORATOR PANEL 102655 DYNALINE 1.75"	M/10175-IN	DYNA09AC
	EVAPORATOR PANEL 102655 DYNALINE 1.75"	M/10175-IN	DYNA12AC
	EVAPORATOR PANEL 102655 DYNALINE 1.75"	M/10346-IN	DYNA16AC
4	DOOR FRESH AIR VENT 031174	M/10009-IN	ALL
5	PANEL CAB ASSY 101901 DYNALINE	S/12208	DYNA09AC
	PANEL CAB ASSY 101901 DYNALINE	S/12208	DYNA12AC
	PANEL CAB ASSY 102083 DYNALINE		DYNA16AC
6	INSULATION BASE VALVE COMPART DYNALINE 071185	N/03450	ALL
7	COVER PLATE FIRE WALL 063486	M/10026	ALL
8	TOP JUNCTION BOX 090544	M/10027	ALL
9	EVAPORATOR PAN 380247	M/10016	DYNA09AC
	EVAPORATOR PAN 380247	M/10016	DYNA12AC
	EVAPORATOR PAN 380349	M/10358	DYNA16AC
10	BRKT TSTAT MTG ACA-12NF ALL 063417	M/10044	ALL
11	CONTROL PLATE AND DECAL ASSY 102575	K/04927	ALL
12	BAFFLE CONDENSER 040484	M/10032	ALL
13	EVAP COIL COVER 380374	M/10033	DYNA09AC
	EVAP COIL COVER 380304	M/10223-IN	DYNA12AC
	NOT APPLICABLE FOR DYNA16AC	N/A	N/A
14	COVER TOP FRONT 102677	M/10034	DYNA09AC
	COVER TOP FRONT 102677	M/10034	DYNA12AC
	COVER TOP FRONT 1622	M/12329	DYNA16AC
15	BRACE CONDENSER HSG 063715	M/10052	ALL

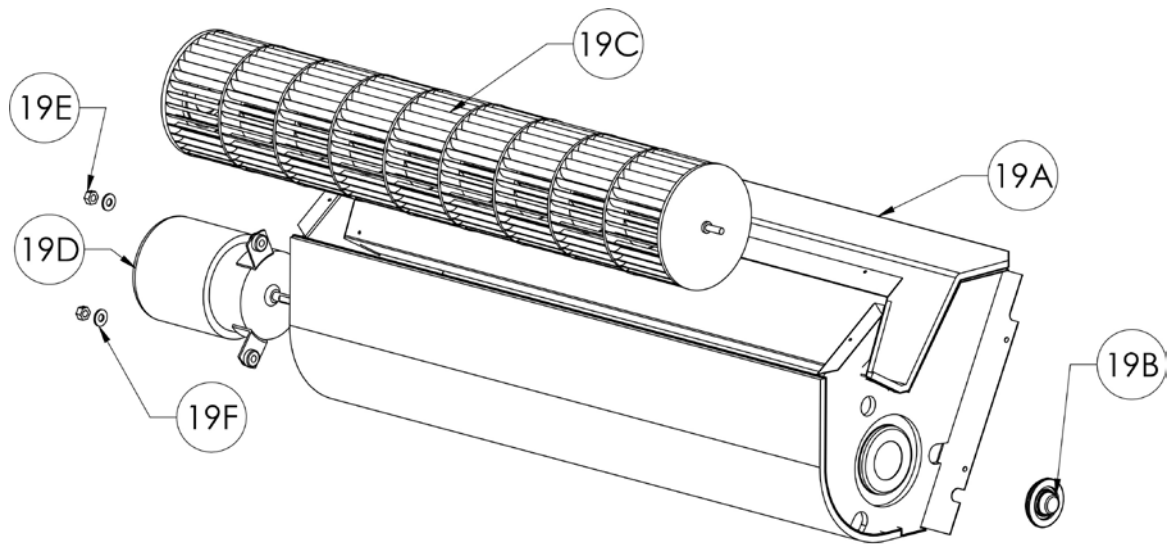
ITEM NO.	DESCRIPTION	PART NUMBER	MODELS AFFECTED
16	FAN SHROUD ASSY 391122 DYNALINE	S/12212	DYNA09AC
	FAN/SHROUD ASSY 931121 DYNALINE	S/12242	DYNA12AC
	FAN/SHROUD ASSY 931121 DYNALINE	S/12242	DYNA16AC
17	PANEL CAB LEFT SIDE DYNALINE 102688-P	M/10221	ALL
18	BRKT CABINET FRONT M 063692 ALL	M/10035	ALL
19	BLOWER ASSY/ROOM AIR DYNALINE 391099-P	S/12216	DYNA09AC
	HOUSING ONLY	S/12214	DYNA09AC
	BLOWER ASSY/ROOM AIR DYNALINE 391016	S/12243	DYNA12AC
	HOUSING ONLY	S/12214	DYNA12AC
	BLOWER ASSY/ROOM AIR 391068 DYNALINE	S/12303	DYNA16AC
	HOUSING ONLY	S/12304	DYNA16AC
20	BURNER TUBE FRONT ASSY 12,000 BTUH GAS 051420	S/12209	DYNA09AC
	BURNER TUBE FRONT ASSY 12,000 BTUH GAS 051420	S/12209	DYNA12AC
	BURNER TUBE FRONT ASSY 22,000 BTUH GAS	S/12301	DYNA16AC
21	CONTROL BOX ASSY (SEE DETAIL VIEW FOR PARTS)		ALL
22	VALVE ASSY/ORIFICE (SEE DETAIL VIEW FOR PARTS)		ALL
23	COIL EVAPORATOR/INDOOR 9 x 26 DYNALINE 380368	60336	DYNA09AC
	COIL EVAPORATOR/INDOOR 9 x 26 DYNALINE 380239	60339	DYNA12AC
	COIL EVAPORATOR/INDOOR 9 x 26 DYNALINE 380239	60339	DYNA16AC
24	ROD CONTROL VENT DOOR DYNALINE 140235	02173	ALL
25	GASKET BURNER TUBE DYNALINE 071156	92301	ALL
26	GASKET COMB AIR/BURNER DYNALINE 071118	92304	ALL
27	DISPLAY MOD CONTROL DYNALINE (PART OF ITEM 11)		ALL
28	GRILLE 27.625" DYNALINE 030656	92540	ALL
29	FILTER 6 x 30.75 x .125 DYNALINE 031097	92542	DYNA09AC
	FILTER 6 x 30.75 x .125 DYNALINE 031097	92542	DYNA12AC
	FILTER 30.75 x 8.125 x .125 DYNALINE	92543	DYNA16AC
30	PLUG HOLE 1.093-1.125 INCH 071075	80325	ALL
31	GROMMET 071123 DYNALINE	20124	ALL
32	BUSHING SNAP 7/8" (.875) 231827	80340	ALL
33	GROMMET FOR RK COMPRESSOR	20008	ALL
34	CORD 0661515LY DYNALINE 232836	02176	ALL
35	TUBE AIR COMBUSTION DYNALINE 051409	40650	ALL
36	DRIER TUBE ASSY 100589 DYNALINE 171821-171767	20602	ALL
37	BLOWER ASSY 0712-0912 NG 391142	S/12254	DYNA09AC NG
	BLOWER ASSY 1220-1622 NG & LP 391144	S/12249	DYNA12AC NG
	BLOWER ASSY 1220-1622 NG & LP 391144	S/12249	DYNA16AC NG
	BLOWER ASSY 0712-0912 LP 391143	S/12269	DYNA09AC LP
	BLOWER ASSY 1220-1622 NG & LP 391144	S/12249	DYNA12AC LP
	BLOWER ASSY 1220-1622 NG & LP 391144	S/12249	DYNA16AC LP
38	CAB FRONT CENTER DOOR 101923 DYNALINE	S/12206	ALL
39	COMPRESSOR GK080KAA DYNALINE 521037	10524	DYNA09AC
	COMPRESSOR ROTARY GK102KAA 521085	10459	DYNA12AC
	COMPRESSOR GKS141KAB DYNALINE 521046	10525	DYNA16AC
40	TOP WALL FLANGE	M/11453	ALL
41	SIDE LH WALL FLANGE	M/11454	ALL
42	SIDE RH WALL FLANGE	M/11455	ALL
43	CO DETECTOR ASSEMBLY	S/12268	OPT CO DETECT
44	FITTING 90° 3/8 NPT X 3/8 FLARE	40643	OPT REAR GAS
45	FITTING ELL 90° HI EAR	40644	OPT REAR GAS
46	TUBE ASSY GAS INLET	40645	OPT REAR GAS
47	THERMOSTAT SENSING PROBE	80831	ALL
48	SENSOR DE-ICE R410A DYNALINE 233112	70703	ALL
49	TUBE, SUCTION	40655	DYNA09AC
	TUBE, SUCTION	40655	DYNA12AC
	TUBE, SUCTION	40664	DYNA16AC
50	TUBE, DISCHARGE	40652	DYNA09AC
	TUBE, DISCHARGE	40656	DYNA12AC
	TUBE, DISCHARGE	40662	DYNA16AC
51	OVERLOAD, COMPRESSOR (NOT SHOWN, INSTALLED IN COMPRESSOR)	19063	DYNA09AC
	OVERLOAD, COMPRESSOR (NOT SHOWN, INSTALLED IN COMPRESSOR)	19061	DYNA12AC
	OVERLOAD, COMPRESSOR (NOT SHOWN, INSTALLED IN COMPRESSOR)	19062	DYNA16AC
52	STRAINER CAPILLARY ASSY 6251924 DYNALINE 171826	20599	ALL
	STRAINER CAPILLARY ASSY 6251942 DYNALINE	20601	ALL
	STRAINER CAPILLARY ASSY 6251925 DYNALINE	20598	ALL
	STRAINER CAPILLARY ASSY 6251952 DYNALINE	20600	ALL
53	SWITCH, PRESSURE CONTROL	02195	ALL



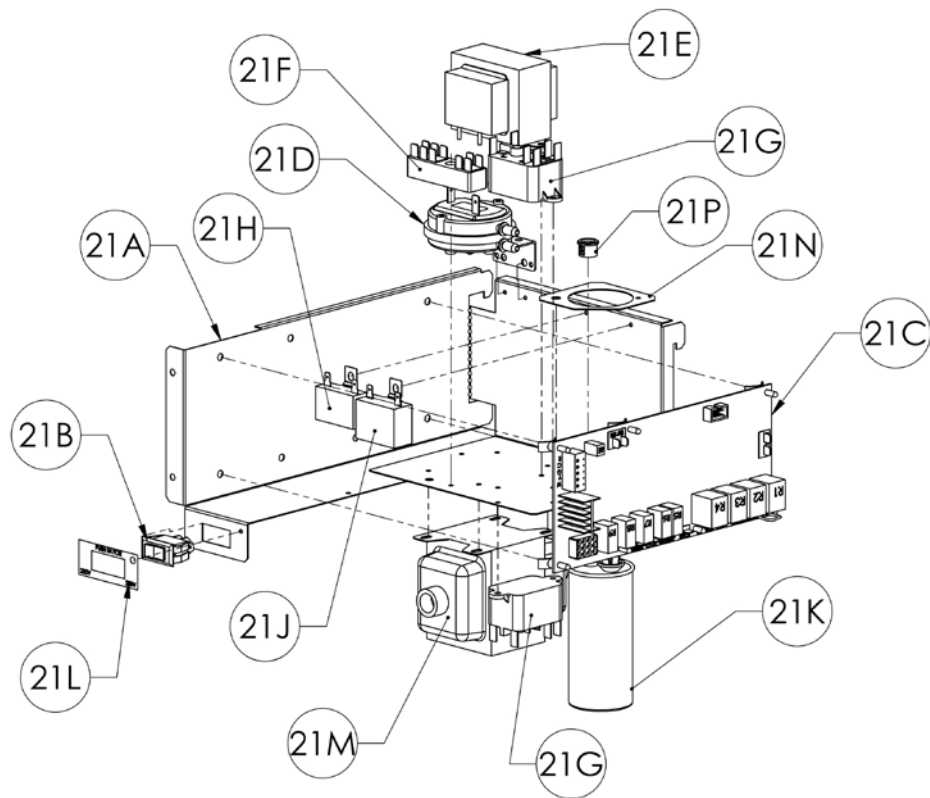
ITEM NO.	DESCRIPTION	PART NUMBER	MODELS AFFECTED
2A	TUBULAR CC ASSY DYNALINE 1.75	03011	ALL
2B	SWITCH LIMIT DL3 1/2 ENCLOSED DISC DYNA	70710	ALL
2C	SCREW #6 x 1/4 PH PH MS DYNALINE	92703	ALL
2D	WASHER 5/32 x 5/16 x .035 FLAT DYNALINE	92710	ALL
2E	SCREW #8-3/8 PAN HD PH TYPE AB SS	90619	ALL
2F	COVER PLATE 290137	M/10000	ALL
2G	BURNER OBSERVATION MICA DYNALINE 310033	02185	ALL
2H	GASKET FLAME PROBE DYNALINE 071096	92309	ALL
2J	GASKET IGNITOR DYNALINE 071097	92306	ALL
2K	SCREW 6-20 x 3/8 PH DRILL SS 410 DYNALI 121652	92697	ALL
2L	IGNITER DL3 1.75 DYNALINE 1.75 233276	92901	ALL
2M	PROBE FLAME DYNALINE 232701	80837	ALL
20A	TUBE BURNER 051407 DYNALINE	S/12210	ALL
20D	SCREW #8-18 x 1/2 PH PAN HEAD 410 SS	90712	ALL
20E	BURNER SB016	50608	DYNA09AC
	BURNER SB016	50608	DYNA12AC
	BURNER SB017	50607	DYNA16AC
20F	BRACKET BURNER	M/10022	ALL
22A	BRKT VALVE MT 063501	M/10017	ALL
22B	VALVE 25M12531P1 DYNALINE	20595	NG MODELS
	VALVE 25M12530B1 DYNALINE	20596	LP MODELS
22C	ORIFICE #51 DYNALINE	20607	DYNA09AC NG
	ORIFICE #60 DYNALINE	20609	DYNA09AC LP
	ORIFICE 2.1MM DYNALINE	20611	DYNA12AC NG
	ORIFICE 1.2MM DYNALINE	20597	DYNA12AC LP
	ORIFICE #44 DYNALINE	20606	DYNA16AC NG
	ORIFICE #56 DYNALINE	20608	DYNA16AC LP
22D	ELBOW 202-6 DYNALINE	40645	ALL
22E	SCREW 8-32 x 3/8 HEX SLOT ROUING DYNALINE	92694	ALL
22F	MANIFOLD PIPE 171656 DYNALINE	92312	ALL



ITEM NO.	DESCRIPTION	PART NUMBER	MODELS AFFECTED
16A	SHROUD CONDENSOR PLASTIC DYNALINE 380370	30127	ALL
16B	SPITTER CONDENSER PL 040540	M/10023	ALL
16C	BRACKET DRYER SATABILIZE (063696)	M/10024	ALL
16D	SCREW #8-3/8 PAN HD PH TYPE AB SS 121649	90619	ALL
16E	RIVET 1/8 POP ALL ALUM AB4-3A DYNALINE 122070	92681	ALL
16F	MOTOR/CAP PSC84-36-050-C DYNALINE 233137	40198	ALL
16G	COIL CONDENSER/OUTDOOR 14 x 26 DYNALINE	60341	DYNA09AC
	COIL CONDENSER/OUTDOOR 14 x 26 DYNALINE	60342	DYNA12AC
	COIL CONDENSER/OUTDOOR 14 x 26 DYNALINE	60342	DYNA16AC
16H	BRKT CONDENSER MOTOR 063480	M/10039	ALL
16J	BAFFLE CONDENSER 040532	M/10025	ALL
16K	IMPELLER DYNALINE 350200	30126	ALL
16L	NUT 1/4-20 HEX KEPS DYNALINE 121474	92436	ALL
16M	SCREW 1/4-20 x 1/2 DYNALINE 121666	92693	ALL
16N	SCREW 8 x 1/2 PHPH 410SS AB DYNALINE 122063	92682	ALL
16P	NUT NYLON EXPANSION DYNALINE 122027	92712	ALL

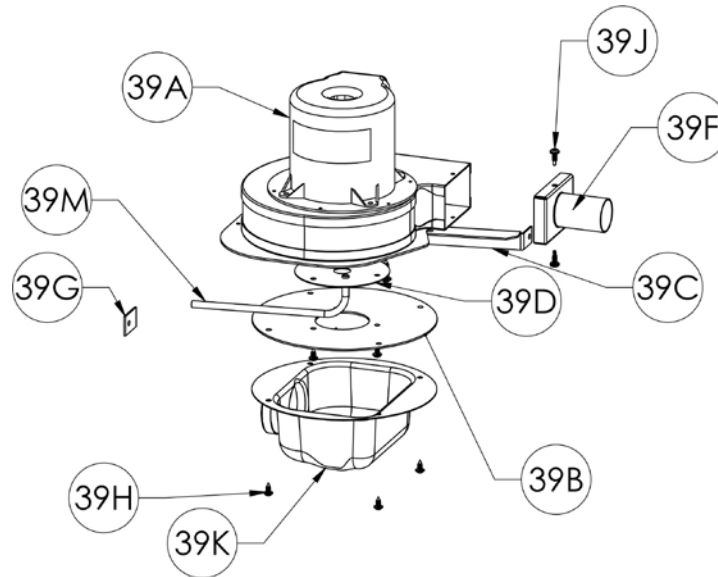


ITEM NO.	DESCRIPTION	PART NUMBER	MODELS AFFECTED
19A	BLOWER ASSY COMP RM 391014 DYNALINE HOUSING ONLY	S/12214	DYNA09AC
	BLOWER ASSY COMP RM 391014 DYNALINE HOUSING ONLY	S/12214	DYNA12AC
	BLOWER ASSY COMP RM 391067 DYNALINE HOUSING ONLY	S/12304	DYNA16AC
19B	BEARING ZFBR-1457 DYNALINE 350203	50535	ALL
19C	WHEEL ROOM AIR PLASTIC ZFT437-25 DYNALINE 350204	30128	DYNA09AC
	WHEEL ROOM AIR PLASTIC ZFT475-26 DYNALINE	30129	DYNA12AC
	WHEEL ROOM AIR PLASTIC ZFT475-26 DYNALINE	30129	DYNA16AC
19D	ROOM AIR MOTOR PSC-84-36-025IFC DYNALINE 233134	40204	DYNA09AC
	ROOM AIR MOTOR PSC84-36-045IFC DYNALINE	40202	DYNA12AC
	ROOM AIR MOTOR PSC84-36-065IFC DYNALINE	40199	DYNA16AC
19E	NUT 1/4-20 HEX LOCK REVERSIBLE DYNALINE 121531	92714	ALL
19F	WASHER FLAT 1/4" 121532	90641	ALL



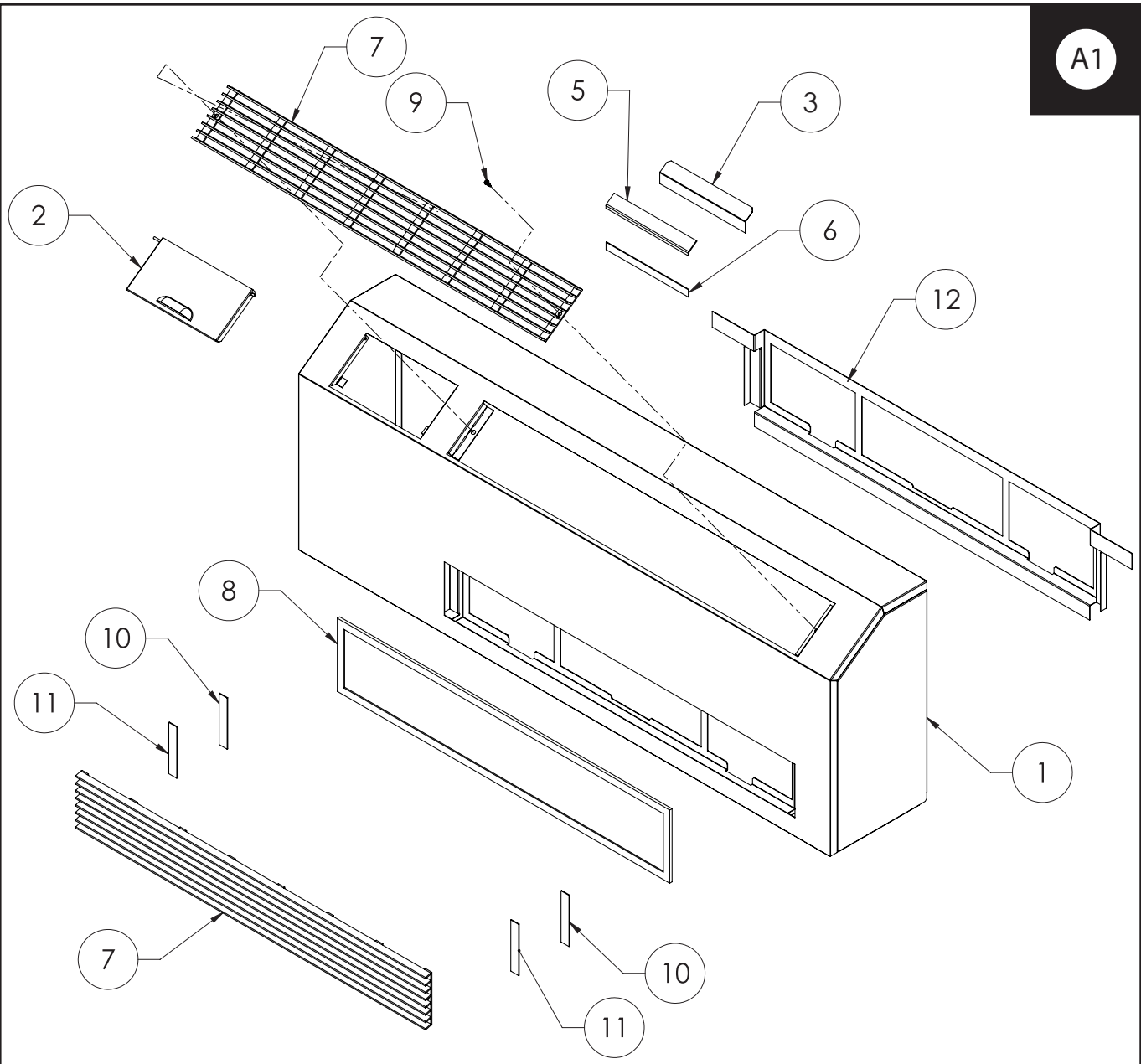
ITEM NO.	DESCRIPTION	PART NUMBER	MODELS AFFECTED
21A	CONTROL BOX 063807 DYNALINE	M/10222	ALL
21B	SW ROCKER DYNALINE 232246	70699	208/230 VOLT (A)
21C	BOARD MODULE DYNALINE 233141	92562	ALL
21D	SW PRESS NS2-1025-00 DYNALINE 232907	70697	ALL
21E	TRANSFORMER HCT-09D0K03305 DYNALINE 232634	50653	208/230 VOLT (A)
	TRANSFORMER 5-1672014-9 DYNALINE	50670	277 VOLT (V)
21F	TERMINAL BLOCK DYNALINE 230944	80833	ALL
21G	RELAY HCR-51CQ1AB DYNALINE 231032	50644	ALL
21H	CAPACITOR 1.2 UF 440 VAC DYNALINE ROOM AIR	50657	DYNA09AC
	CAPACITOR 1.5 UF 440 VAC DYNALINE ROOM AIR	50658	DYNA12AC
	CAPACITOR 2.0 UF 440 VAC DYNALINE ROOM AIR	50709	DYNA16AC
21J	CAPACITOR 2.0 UF 440 VAC CONDENSER MOTOR	50709	ALL 208/230
21K	CAPACITOR 25 UFD / 440 VOLTS COMPRESSOR	50260	DYNA09AC
	CAPACITOR 30 UFD@ 370 VOLTS COMPRESSOR	50265	DYNA12AC
	CAPACITOR 45 UFD @ 370 VOLTS COMPRESSOR	50321	DYNA16AC
21L	LABEL 208/230V OPERATION 193402 DYNALINE	81716	208/230 VOLT (A)
21M	TRANSFORMER 480/277/240/120V CIRCUIT BRE 233277	50850	ALL
21P	BUSHING SNAP 1/2" 070270	80180	ALL



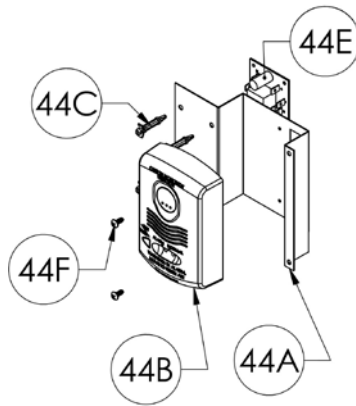


ITEM NO.	DESCRIPTION	PART NUMBER	MODELS AFFECTED
39	BLOWER ASSY 0712-0912 NG 391142	S/12254	DYNA09AC NG
	BLOWER ASSY 1220-1622 NG & LP 391144	S/12249	DYNA12AC NG
	BLOWER ASSY 1220-1622 NG & LP 391144	S/12249	DYNA16AC NG
	BLOWER ASSY 0712-0912 LP 391143	S/12269	DYNA09AC LP
	BLOWER ASSY 1220-1622 NG & LP 391144	S/12249	DYNA12AC LP
	BLOWER ASSY 1220-1622 NG & LP 391144	S/12249	DYNA16AC LP
39A	BLOWER EXHAUST 230 VAC DYNALINE 391070	30123	ALL
39B	GASKET EXH DYNALINE 071153	92303	ALL
39C	BRKT BLOWER/BASE FLA 063461	M/10011	ALL
39D	RESTRICTOR 0712-0912 040524 DYNALINE	M/10012	DYNA09AC NG
	RESTRICTOR 0712-0912 040523 DYNALINE	M/10287	DYNA09AC LP
	RESTRICTOR PLATE 040522 DYNALINE	M/10207	DYNA12AC NG
	RESTRICTOR PLATE 040522 DYNALINE	M/10207	DYNA12AC LP
	RESTRICTOR PLATE 040522 DYNALINE	M/10207	DYNA16AC NG
	RESTRICTOR PLATE 040522 DYNALINE	M/10207	DYNA16AC LP
39E	SCREW 10 x 3/4 PH O H 410SS DYNALINE 121853	92435	ALL
39F	VENT CAP ASSEMBLY	K/04926	ALL
39G	GASKET PRESSURE SWITCH TUBE DYNALINE 071279	92307	ALL
39H	SCREW #8-3/8 PAN HD PH TYPE AB SS 121649	90619	ALL
39J	SCREW #8-18 x 1/2 PH PAN HEAD 410 SS 121651	90712	ALL
39K	BOX EXHAUST SLOT ASSY DYNALINE 1.75" 050281BK	S/12247	ALL
39M	TUBE PRESSURE SWITCH 171760 DYNALINE	M/10216	ALL

A1



ITEM NO.	DESCRIPTION	PART NUMBER	MODELS AFFECTED
<b>A1</b>	COMPLETE CABINET FRONT ASSY	S/12344	ALL
<b>1</b>	CABINET FRONT SHEET METAL ASSY	SD12342	ALL
<b>2</b>	CONTROL PANEL DOOR ASSY	SD12343	ALL
<b>3</b>	FRONT CABINET CONTROL PANEL DOOR STOP	MD11708	ALL
<b>4</b>	FILTER RACK	MD11844	ALL
<b>5</b>	GASKET, .062" X 1.00" X 6.50"	92311A	ALL
<b>6</b>	1/2" X 3M VHB 5952, 6.500' LG	03156	ALL
<b>7</b>	GRILLE, ROOM AIR DISCHARGE	92540-BK	ALL
<b>8</b>	FILTER, 26.25" X 5.00" BLACK STEEL	92986	ALL
<b>9</b>	SCREW, 8-18 X .50 PH. SELF DRILLING TEK	92698-BK	ALL
<b>10</b>	VELCRO, 5/8" HOOK	03255	ALL
<b>11</b>	VELCRO, 5/8" LOOP	03256	ALL
<b>12</b>	FILTER RACK	MD11844	ALL



ITEM NO.	DESCRIPTION	PART NUMBER	MODELS AFFECTED
44A	PLATE, CO DETECTOR	MD10286	DYNA09ACA012NF DYNA12ACA020NF, DYNA16ACA022NF
44B	CO DETECTOR	02175	DYNA09ACA012NF DYNA12ACA020NF, DYNA16ACA022NF
44C	SPACER POWER SUPPLY	03003	DYNA09ACA012NF DYNA12ACA020NF, DYNA16ACA022NF
44D	LABEL, PUSH FOR RESET (NOT SHOWN)	81717	DYNA09ACA012NF DYNA12ACA020NF, DYNA16ACA022NF
44E	POWER SUPPLY BOARD	02174	DYNA09ACA012NF DYNA12ACA020NF, DYNA16ACA022NF
44F	SCREW #8AB X .375 PH, PH	92648	DYNA09ACA012NF DYNA12ACA020NF, DYNA16ACA022NF